

CUSTOMER SIGNATURE: _____

DATE: _____

IN AN EFFORT TO ENSURE ACCURACY, PLEASE REVIEW YOUR DRAWING DIMENSIONS AND FITTING SIZES FOR POSSIBLE ERRORS AND OMISSIONS. CALL WITH ANY CORRECTIONS BEFORE SIGNING THIS DRAWING. ALL TANKS DESIGNED AND/OR BUILT, IN PART OR COMPLETE, BY ALUMITANK OR ANY OF ITS PEOPLE ARE CERTIFIED FOR USE ONLY WITH DISTILLATE, HYDRAULIC, OR WATER. ANY VARIATIONS OF USE OR MODIFICATIONS OF THE TANK ARE PROHIBITED. CUSTOMER SIGNATURE ON DOCUMENT/DRAWING INDICATES AGREEMENT BY SIGNER OR RECIPIENT OF TANK AND HOLDS ALUMITANK HARMLESS.

CUSTOMER NAME:

SIDE OF TRUCK:

SHOP #:

PARTS:

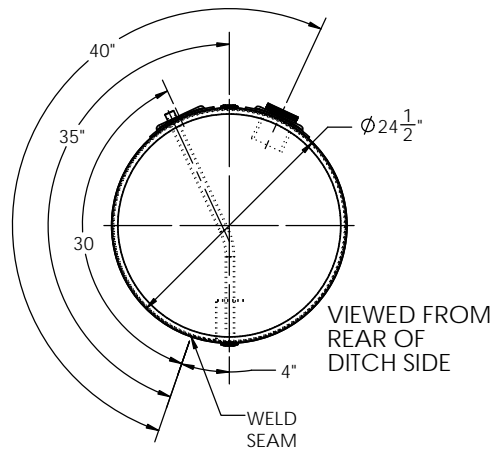
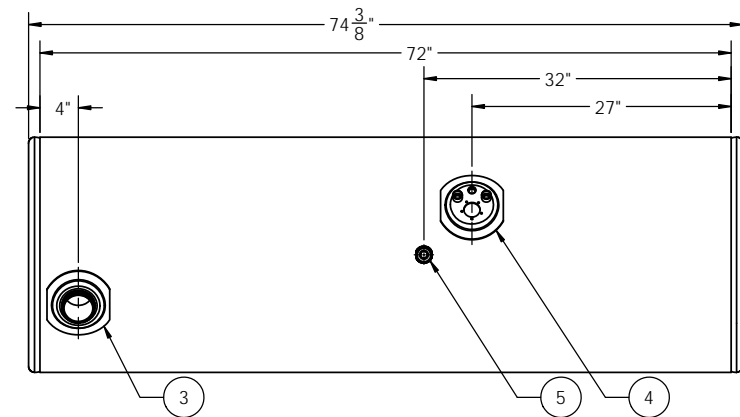
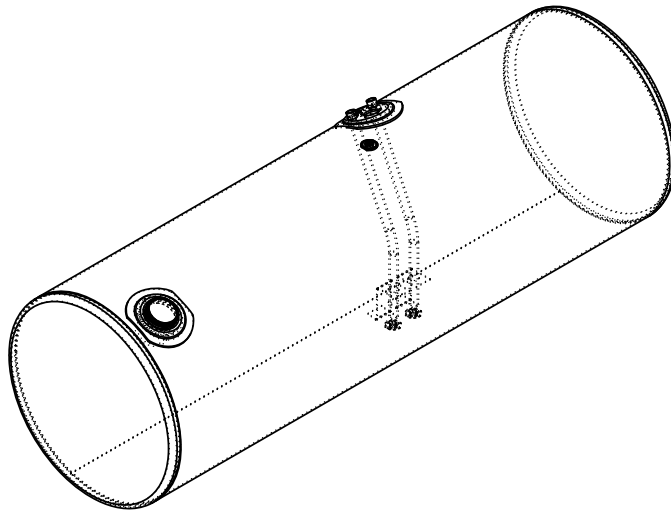
FINISH:

CAPACITY:

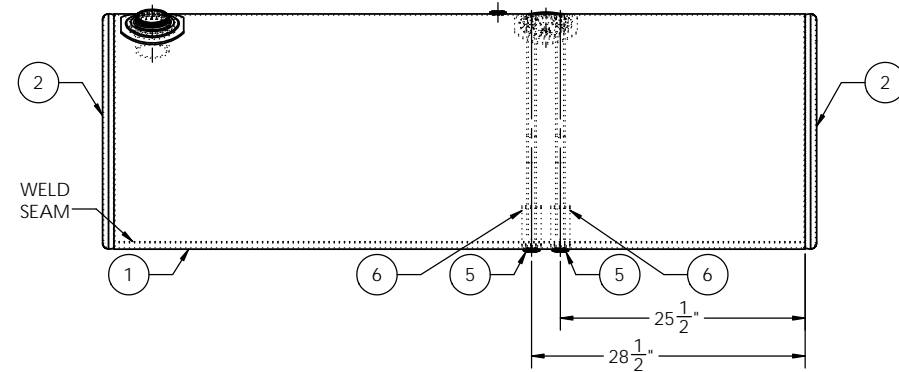
SERIAL #:

CHASSIS STYLE:

SHIP DATE:



TRUCK FRONT
DITCH SIDE →



ITEM NO.	PART NUMBER	DESCRIPTION	QTY.
1	BRL-K424-1138N0102U151	1/8" TANK BARREL	1
2	ECP-3920013100	24 1/2" POLISHED ALUMINUM END CAP	2
3	FLN-801212300	POLISHED ALUMINUM KENWORTH FILL NECK	1
4	ADP-83232392	24 1/2" POLISHED ALUMINUM KENWORTH ADAPTER PLATE WITH TUBES	1
5	FLG-050230	1/2" NPTF POLISHED ALUMINUM FLANGE	3
6	STR-001	STABILIZER FOR TUBE	2

TITLE:		UNLESS OTHERWISE SPECIFIED:		NAME	DATE
SIZE C	REV	QC	INITIALS	DRAWN	
		PSI		CHECKED	
		DIMS		ENG APPR	
PARTS		DIMENSIONS ARE IN INCHES		<p>11317 N. US HWY 14 HARVARD, IL 60033 800-652-6630 FAX 855-774-6918 WWW.ALUMITANK.COM INFO@ALUMITANK.COM</p>	
TAG		FRACTIONAL ±			
PKG		ANGULAR MATCH ± BEND ±			
		TWO PLACE DECIMAL ±			
		THREE PLACE DECIMAL ±		MFG APPR	
		INTERPRET GEOMETRIC TOLERANCING PER:		DIA.	
		MATERIAL:		COMMENTS:	
		5052 H32 ALUMINUM			
		FINISH: SEE BOM			
		DO NOT SCALE DRAWING			

DWG. NO. **K424-1138N0102U151**
SCALE: 1:10 WEIGHT: SHEET 1 OF 1