

CUSTOMER SIGNATURE: \_\_\_\_\_

DATE: \_\_\_\_\_

IN AN EFFORT TO ENSURE ACCURACY, PLEASE REVIEW YOUR DRAWING DIMENSIONS AND FITTING SIZES FOR POSSIBLE ERRORS AND OMISSIONS. CALL WITH ANY CORRECTIONS BEFORE SIGNING THIS DRAWING. ALL TANKS DESIGNED AND/OR BUILT, IN PART OR COMPLETE, BY ALUMITANK OR ANY OF ITS PEOPLE ARE CERTIFIED FOR USE ONLY WITH DISTILLATE, HYDRAULIC, OR WATER. ANY VARIATIONS OF USE OR MODIFICATIONS OF THE TANK ARE PROHIBITED. CUSTOMER SIGNATURE ON DOCUMENT/DRAWING INDICATES AGREEMENT BY SIGNER OR RECIPIENT OF TANK AND HOLDS ALUMITANK HARMLESS.

CUSTOMER NAME: \_\_\_\_\_

SIDE OF TRUCK: \_\_\_\_\_

SHOP #: \_\_\_\_\_

PARTS: \_\_\_\_\_

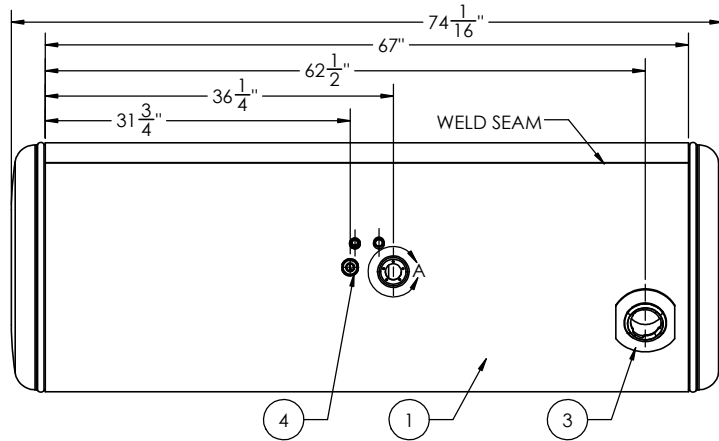
FINISH: \_\_\_\_\_

CAPACITY: \_\_\_\_\_

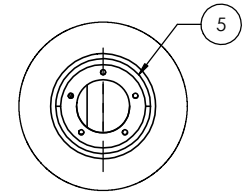
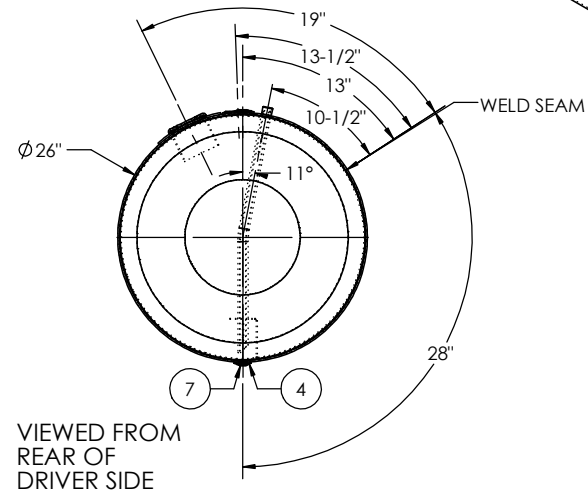
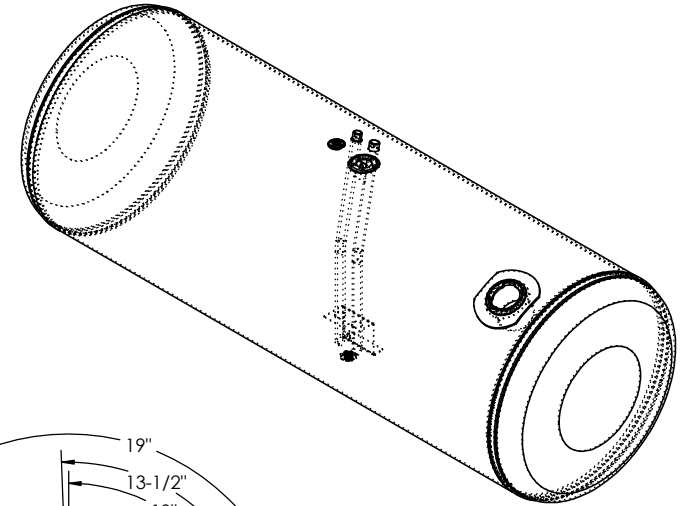
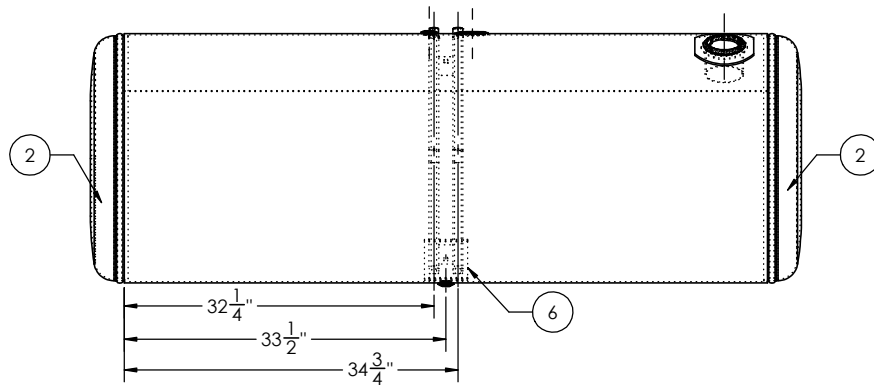
SERIAL #: \_\_\_\_\_

CHASSIS STYLE: \_\_\_\_\_

SHIP DATE: \_\_\_\_\_



← TRUCK FRONT  
DRIVER SIDE



DETAIL A  
SCALE 1 : 3

ITEM NO.	PART NUMBER	DESCRIPTION	QTY.
1	BRL-AT-PB-1017	1/8" TANK BARREL	1
2	ECP-4160013200	26" POLISHED ALUMINUM PETERBILT STYLE END CAP	2
3	FLN-110022300	POLISHED ALUMINUM PETERBILT FILL NECK	1
4	FLG-050230	1/2" NPTF POLISHED ALUMINUM FLANGE	2
5	BSE-00183210	CURVED 90 POLISHED ALUMINUM SENDER BASE	1
6	DTA-311241630	26" POLISHED PETERBILT TUBE ASSEMBLY	1
7	94135	1/2" SOCKET PIPE PLUG 3/4" TAPER NPTF ZINC	1

TITLE: <b>26x67</b>		UNLESS OTHERWISE SPECIFIED:		NAME	DATE
SIZE <b>C</b>	REV	QC	INITIALS	DRAWN	
		PSI		CHECKED	
		DIMS		ENG APPR.	
		PARTS		MFG APPR.	
TAG		MATERIAL	5052 H32 ALUMINUM	COMMENTS:	
PKG		FINISH	SEE BOM	G.A.	
		DO NOT SCALE DRAWING		11317 N. US HWY 14 HARVARD, IL 60033 815-943-6649	

**AlumiTank**<sup>®</sup>  
THE FUEL TANK SPECIALISTS

800-652-6630  
FAX 855-774-6918  
WWW.ALUMITANK.COM  
INFO@ALUMITANK.COM

DWG. NO. **AT-PB-1017** REV. \_\_\_\_\_  
SCALE: 1:10 WEIGHT: 87.68 SHEET 1 OF 1