

CUSTOMER SIGNATURE: _____

DATE: _____

IN AN EFFORT TO ENSURE ACCURACY, PLEASE REVIEW YOUR DRAWING DIMENSIONS AND FITTING SIZES FOR POSSIBLE ERRORS AND OMISSIONS. CALL WITH ANY CORRECTIONS BEFORE SIGNING THIS DRAWING. ALL TANKS DESIGNED AND/OR BUILT, IN PART OR COMPLETE, BY ALUMITANK OR ANY OF ITS PEOPLE ARE CERTIFIED FOR USE ONLY WITH DISTILLATE, HYDRAULIC, OR WATER. ANY VARIATIONS OF USE OR MODIFICATIONS OF THE TANK ARE PROHIBITED. CUSTOMER SIGNATURE ON DOCUMENT/DRAWING INDICATES AGREEMENT BY SIGNER OR RECIPIENT OF TANK AND HOLDS ALUMITANK HARMLESS.

CUSTOMER NAME: _____

SIDE OF TRUCK: _____

SHOP #: _____

PARTS: _____

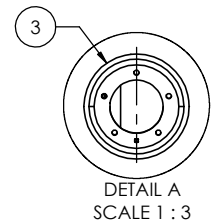
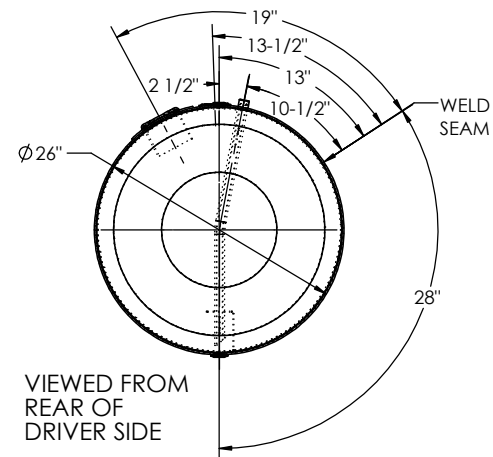
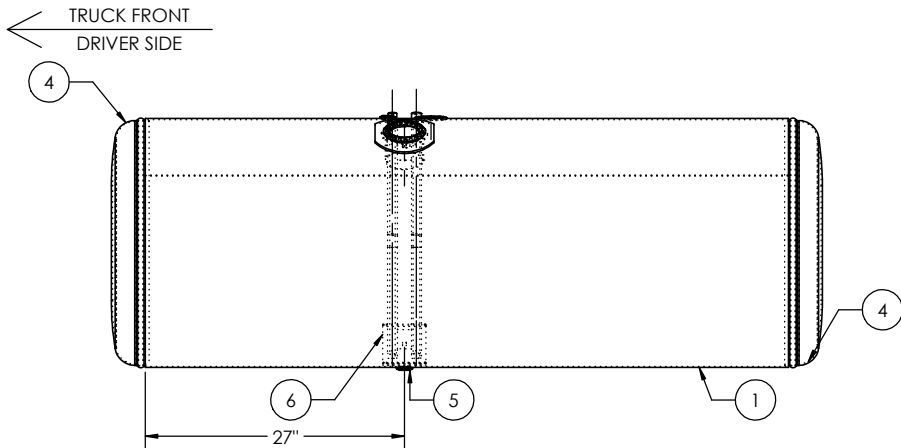
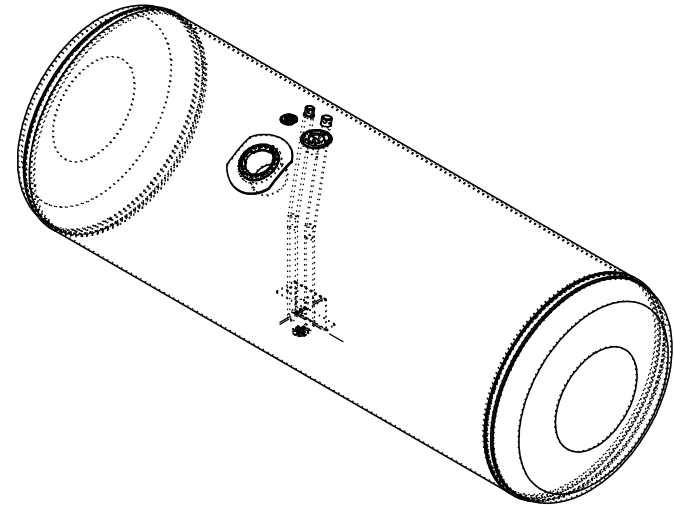
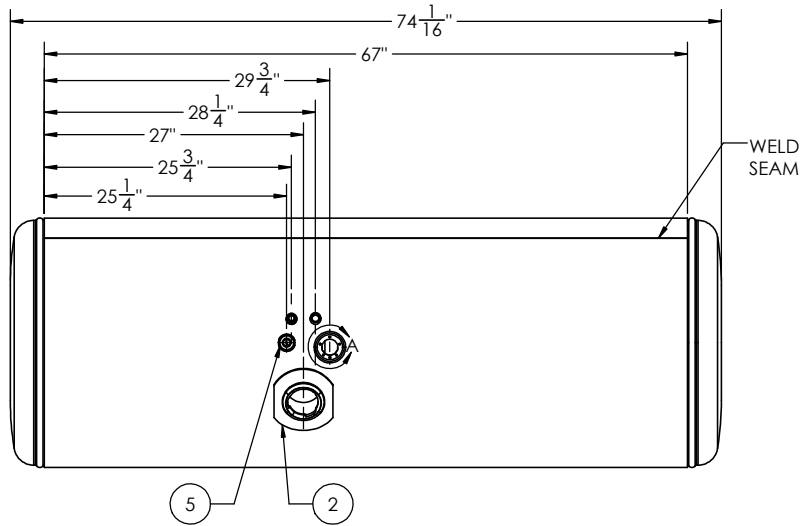
FINISH: _____

CAPACITY: _____

SERIAL #: _____

CHASSIS STYLE: _____

SHIP DATE: _____



ITEM NO.	PART NUMBER	DESCRIPTION	QTY.
1	BRL-11-04836-063T068U	1/8" TANK BARREL	1
2	FLN-110022200	MILGRADE ALUMINUM PETERBILT FILL NECK	1
3	BSE-00182210	CURVED 90 MILGRADE ALUMINUM SENDER BASE	1
4	ECP-4160012200	26" MILGRADE ALUMINUM PETERBILT STYLE END CAP	2
5	FLG-050220	1/2" NPTF MILGRADE ALUMINUM FLANGE	2
6	DTA-311241620	26" MILGRADE PETERBILT TUBE ASSEMBLY	1

TITLE:		UNLESS OTHERWISE SPECIFIED:		NAME	DATE
SIZE C	REV	QC	INITIALS	DRAWN	
		PSI		CHECKED	
		DIMS		ENG APPR.	
		PARTS		MFG APPR.	
TAG		Q.A.		COMMENTS:	
PKG		MATERIAL: 5052 H32 ALUMINUM		11317 N. US HWY 14 800-652-6630	
FINISH: SEE BOM		TOLERANCING PER:		HARVARD, IL 60033 FAX 855-774-6918	
DO NOT SCALE DRAWING		INTERPRET GEOMETRIC TOLERANCING PER:		WWW.ALUMITANK.COM	
		MATERIAL:		815-943-6649	
		FINISH:		INFO@ALUMITANK.COM	
		DO NOT SCALE DRAWING		DWG. NO. 11-04836-063T068U	
				SCALE: 1:10 WEIGHT: SHEET 1 OF 1	

