

CUSTOMER SIGNATURE: _____

DATE: _____

IN AN EFFORT TO ENSURE ACCURACY, PLEASE REVIEW YOUR DRAWING DIMENSIONS AND FITTING SIZES FOR POSSIBLE ERRORS AND OMISSIONS. CALL WITH ANY CORRECTIONS BEFORE SIGNING THIS DRAWING. ALL TANKS DESIGNED AND/OR BUILT, IN PART OR COMPLETE, BY ALUMITANK OR ANY OF ITS PEOPLE ARE CERTIFIED FOR USE ONLY WITH DISTILLATE, HYDRAULIC, OR WATER. ANY VARIATIONS OF USE OR MODIFICATIONS OF THE TANK ARE PROHIBITED. CUSTOMER SIGNATURE ON DOCUMENT/DRAWING INDICATES AGREEMENT BY SIGNER OR RECIPIENT OF TANK AND HOLDS ALUMITANK HARMLESS.

CUSTOMER NAME:

SIDE OF TRUCK:

SHOP #:

PARTS:

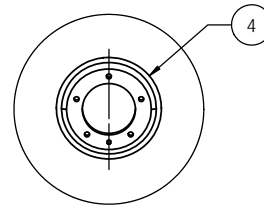
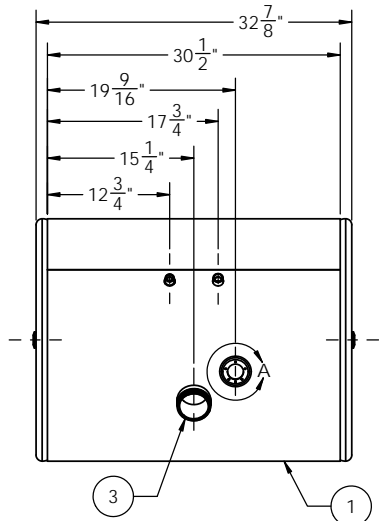
FINISH:

CAPACITY:

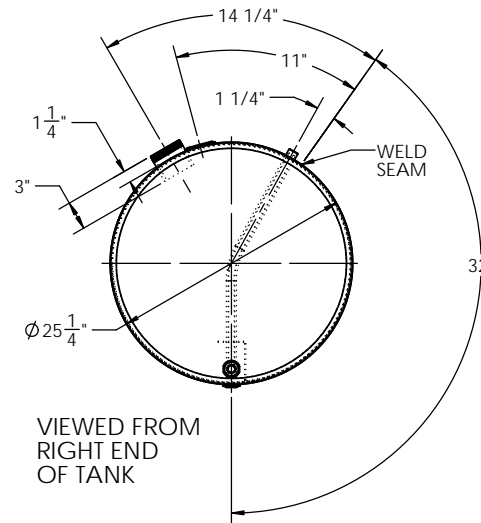
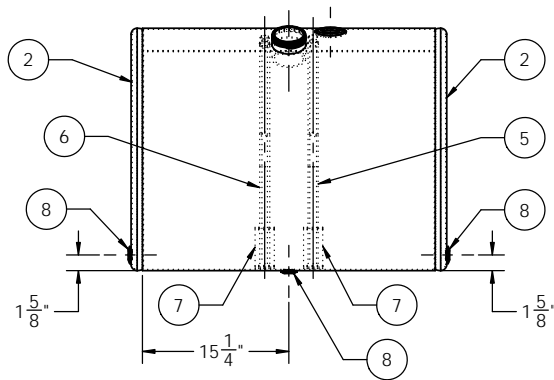
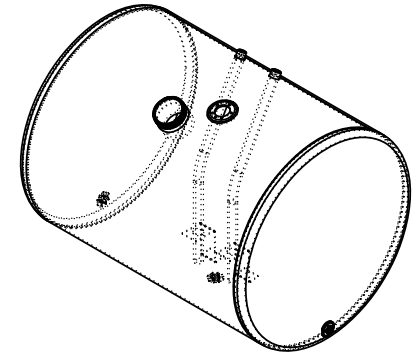
SERIAL #:

CHASSIS STYLE:

SHIP DATE:



DETAIL A
SCALE 1 : 3



VIEWED FROM
RIGHT END
OF TANK

ITEM NO.	PART NUMBER	DESCRIPTION	QTY.
1	BRL-2M41067AM	1/8" TANK BARREL	1
2	ECP-4040012100	25 1/4" DIAMETER END CAP	2
3	FLN-0481212210	3" LONG - 3" NPSM - 8 TPI MILGRADE ALUMINUM FILL NECK	1
4	BSE-00182210	CURVED 90 MILGRADE ALUMINUM SENDER BASE	1
5	TBS-501200	1/2" NPTF TUBE	1
6	TBS-401200	3/8" NPTF TUBE	1
7	STR-001	STABILIZER FOR TUBE	2
8	FLG-050220	1/2" NPTF MILGRADE ALUMINUM FLANGE	3

SAME AS 2MB4967AM

TITLE:				UNLESS OTHERWISE SPECIFIED:		NAME	DATE
SIZE C	REV	QC	INITIALS	DIMENSIONS ARE IN INCHES	DRAWN		
		PSI		TOLERANCES:	CHECKED		
		DIMS		FRACTIONAL ±	ENG APPR		
		PARTS		ANGULAR MATCH ±	MFG APPR		
TAG				TWO PLACE DECIMAL ±			
PKG				THREE PLACE DECIMAL ±			
<small>PROPRIETARY AND CONFIDENTIAL</small> THE INFORMATION CONTAINED IN THIS DRAWING IS THE SOLE PROPERTY OF ALUMITANK. ANY REPRODUCTION IN PART OR AS A WHOLE WITHOUT THE WRITTEN PERMISSION OF ALUMITANK IS PROHIBITED.				INTERPRET GEOMETRIC TOLERANCING PER:		COMMENTS:	
				MATERIAL: 5052 H32 ALUMINUM		11317 N. US HWY 14 HARVARD, IL 60033 815-943-6649	
				FINISH: SEE BOM		800-652-6630 FAX 855-774-6918 WWW.ALUMITANK.COM INFO@ALUMITANK.COM	
				DO NOT SCALE DRAWING		DWG. NO. 2MB41067AM	
						SCALE: 1:10 WEIGHT: SHEET 1 OF 1	