

CUSTOMER SIGNATURE: _____

DATE: _____

IN AN EFFORT TO ENSURE ACCURACY, PLEASE REVIEW YOUR DRAWING DIMENSIONS AND FITTING SIZES FOR POSSIBLE ERRORS AND OMISSIONS. CALL WITH ANY CORRECTIONS BEFORE SIGNING THIS DRAWING. ALL TANKS DESIGNED AND/OR BUILT, IN PART OR COMPLETE, BY ALUMITANK OR ANY OF ITS PEOPLE ARE CERTIFIED FOR USE ONLY WITH DISTILLATE, HYDRAULIC, OR WATER. ANY VARIATIONS OF USE OR MODIFICATIONS OF THE TANK ARE PROHIBITED. CUSTOMER SIGNATURE ON DOCUMENT/DRAWING INDICATES AGREEMENT BY SIGNER OR RECIPIENT OF TANK AND HOLDS ALUMITANK HARMLESS.

CUSTOMER NAME:

SIDE OF TRUCK:

SHOP #:

PARTS:

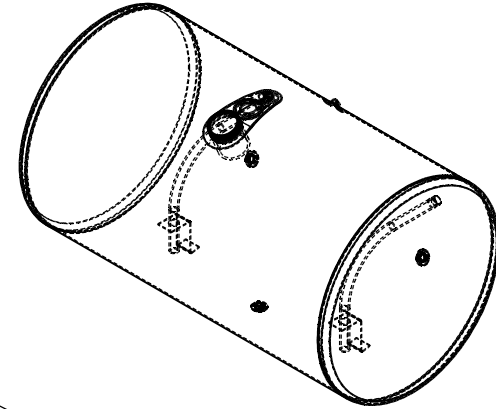
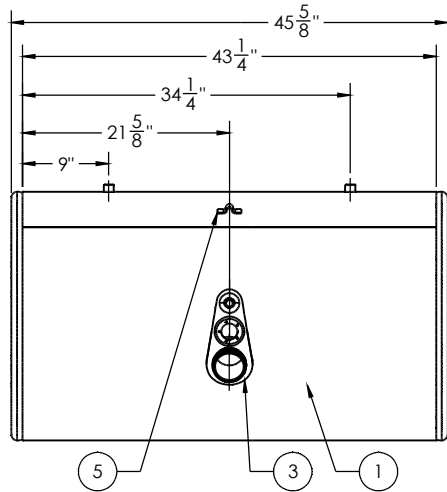
FINISH:

CAPACITY:

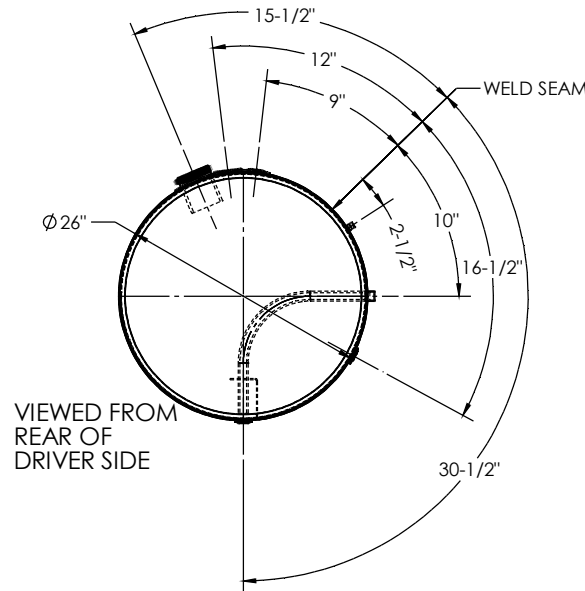
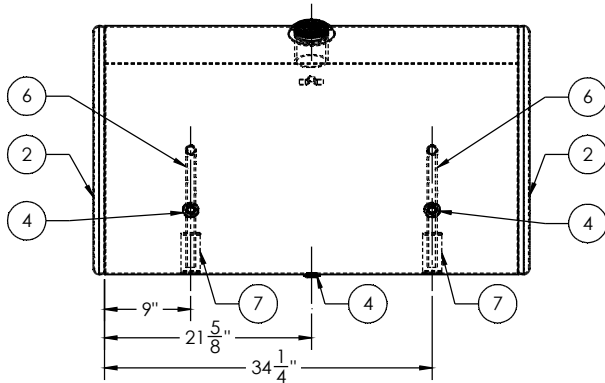
SERIAL #:

CHASSIS STYLE:

SHIP DATE:



← TRUCK FRONT DRIVER SIDE



VIEWED FROM REAR OF DRIVER SIDE

ITEM NO.	PART NUMBER	DESCRIPTION	QTY.
1	BRL-AT-MK-1009	1/8" TANK BARREL	1
2	ECP-4160012100	26" MILGRADE ALUMINUM END CAP	2
3	FLN-1301212200	3" NPSM MILGRADE ALUMINUM VOLVO FILL NECK	1
4	FLG-050220	1/2" NPTF MILGRADE ALUMINUM FLANGE	3
5	MSC-001	MILGRADE ALUMINUM HOSE CLIP	1
6	TBS-501200	1/2" NPTF TUBE	2
7	STR-001 (DIA 26.00 TUBE 1.125)	SMALL TUBE STABILIZER (1.125)	2

TITLE:		UNLESS OTHERWISE SPECIFIED:		NAME	DATE
SIZE C	REV	QC	INITIALS	DRAWN	
		PSI		CHECKED	
		DIMS		ENG APPR.	
		PARTS		MFG APPR.	
TAG		DIMENSIONS ARE IN INCHES			
PKG		TOLERANCES:			
FINISH		ANGULAR MATCH BEND ±			
DO NOT SCALE DRAWING		TWO PLACE DECIMAL ±			
MATERIAL		THREE PLACE DECIMAL ±		G.A.	
5052 H32 ALUMINUM		INTERPRET GEOMETRIC TOLERANCING PER:		COMMENTS:	
SEE BOM					

11317 N. US HWY 14 HARVARD, IL 60033 815-943-6649

800-652-6630 FAX 855-774-6918 WWW.ALUMITANK.COM INFO@ALUMITANK.COM

DWG. NO. **AT-MK-1009**

SCALE: 1:10 | WEIGHT: | SHEET 1 OF 1