

CUSTOMER SIGNATURE: _____

DATE: _____

IN AN EFFORT TO ENSURE ACCURACY, PLEASE REVIEW YOUR DRAWING DIMENSIONS AND FITTING SIZES FOR POSSIBLE ERRORS AND OMISSIONS. CALL WITH ANY CORRECTIONS BEFORE SIGNING THIS DRAWING. ALL TANKS DESIGNED AND/OR BUILT, IN PART OR COMPLETE, BY ALUMITANK OR ANY OF ITS PEOPLE ARE CERTIFIED FOR USE ONLY WITH DISTILLATE, HYDRAULIC, OR WATER. ANY VARIATIONS OF USE OR MODIFICATIONS OF THE TANK ARE PROHIBITED. CUSTOMER SIGNATURE ON DOCUMENT/DRAWING INDICATES AGREEMENT BY SIGNER OR RECIPIENT OF TANK AND HOLDS ALUMITANK HARMLESS.

CUSTOMER NAME:

SIDE OF TRUCK:

SHOP #:

PARTS:

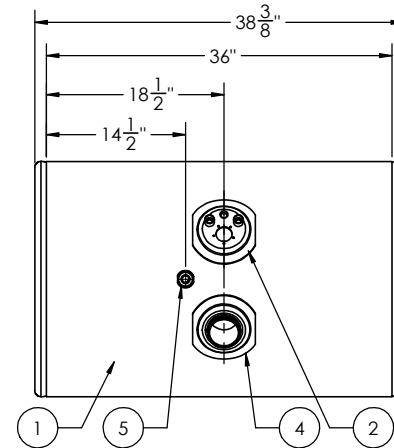
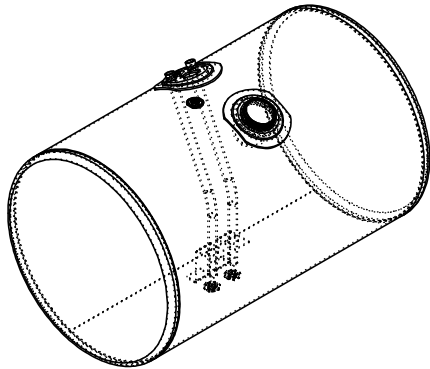
FINISH:

CAPACITY:

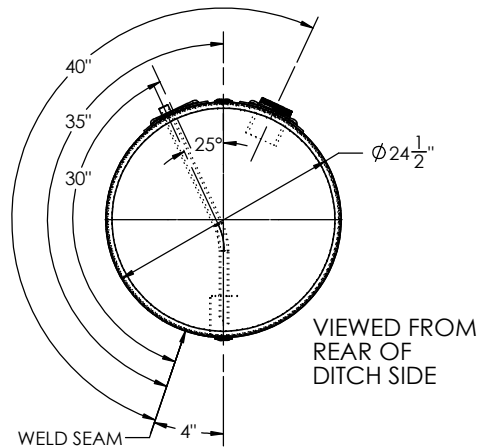
SERIAL #:

CHASSIS STYLE:

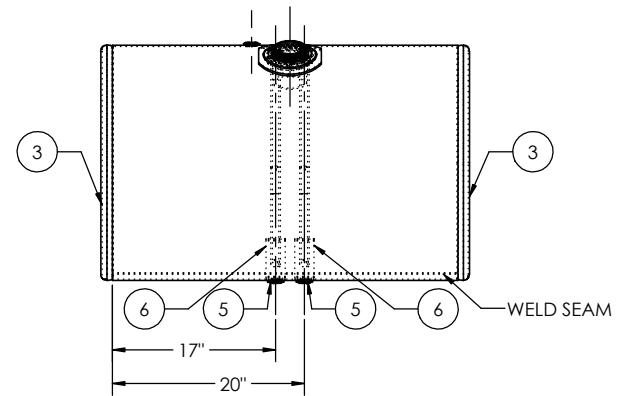
SHIP DATE:



TRUCK FRONT
DITCH SIDE



VIEWED FROM
REAR OF
DITCH SIDE



ITEM NO.	PART NUMBER	DESCRIPTION	QTY.
1	BRL-K444-0457N0457K075	1/8" TANK BARREL	1
2	ADP-83222392	24 1/2 MILGRADE ALUMINUM KENWORTH ADAPTER PLATE WITH TUBES	1
3	ECP-3920012100	24 1/2 MILGRADE ALUMINUM END CAP	2
4	FLN-801212200	MILGRADE ALUMINUM KENWORTH FILL NECK	1
5	FLG-050220	1/2" NPTF MILGRADE ALUMINUM FLANGE	3
6	STR-001	STABILIZER FOR TUBE	2

TITLE:		UNLESS OTHERWISE SPECIFIED:		NAME	DATE
SIZE C	REV	QC	INITIALS	DRAWN	
		PSI		CHECKED	
		DIMS		ENG APPR.	
		PARTS		MFG APPR.	
TAG		MATERIAL		G.A.	
PKG		5052 H32 ALUMINUM		COMMENTS:	
		FINISH			
		SEE BOM			
		DO NOT SCALE DRAWING			

AlumiTank[®]
THE FUEL TANK SPECIALISTS

11317 N. US HWY 14 HARVARD, IL 60033 800-652-6630 FAX 855-774-6918
815-943-6649 WWW.ALUMITANK.COM INFO@ALUMITANK.COM

DWG. NO. **K444-0457N0457K075**

SCALE: 1:10 WEIGHT: SHEET 1 OF 1