

CUSTOMER SIGNATURE: _____

DATE: _____

IN AN EFFORT TO ENSURE ACCURACY, PLEASE REVIEW YOUR DRAWING DIMENSIONS AND FITTING SIZES FOR POSSIBLE ERRORS AND OMISSIONS. CALL WITH ANY CORRECTIONS BEFORE SIGNING THIS DRAWING. ALL TANKS DESIGNED AND/OR BUILT, IN PART OR COMPLETE, BY ALUMITANK OR ANY OF ITS PEOPLE ARE CERTIFIED FOR USE ONLY WITH DISTILLATE, HYDRAULIC, OR WATER. ANY VARIATIONS OF USE OR MODIFICATIONS OF THE TANK ARE PROHIBITED. CUSTOMER SIGNATURE ON DOCUMENT/DRAWING INDICATES AGREEMENT BY SIGNER OR RECIPIENT OF TANK AND HOLDS ALUMITANK HARMLESS.

CUSTOMER NAME:

SIDE OF TRUCK:

SHOP #:

PARTS:

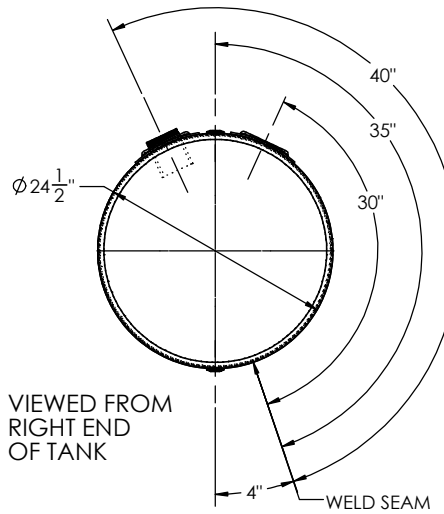
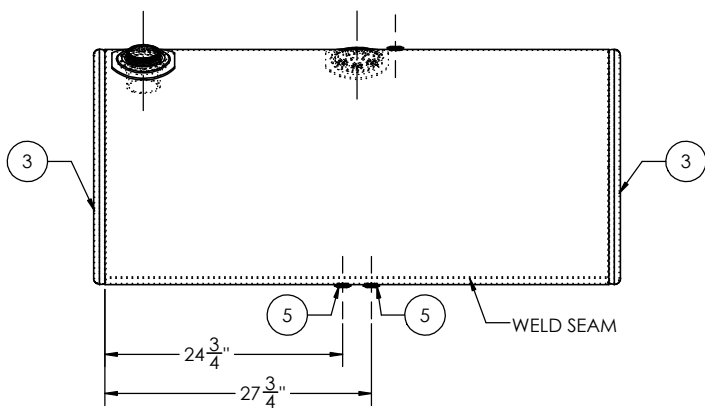
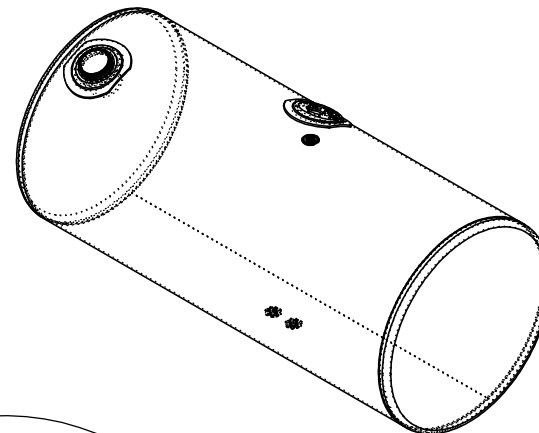
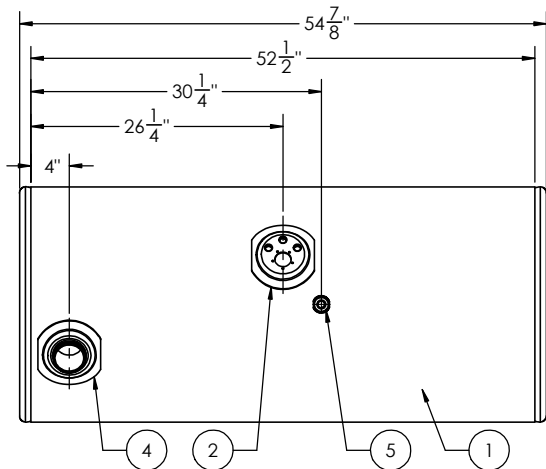
FINISH:

CAPACITY:

SERIAL #:

CHASSIS STYLE:

SHIP DATE:



VIEWED FROM RIGHT END OF TANK

ITEM NO.	PART NUMBER	DESCRIPTION	QTY.
1	BRL-K424-0666N0102U111	1/8" TANK BARREL	1
2	ADP-832310	POLISHED ALUMINUM KENWORTH ADAPTER PLATE	1
3	ECP-3920013100	24 1/2" POLISHED ALUMINUM END CAP	2
4	FLN-801212300	POLISHED ALUMINUM KENWORTH FILL NECK	1
5	FLG-050230	1/2" NPTF POLISHED ALUMINUM FLANGE	3

TITLE:		UNLESS OTHERWISE SPECIFIED:		NAME	DATE
SIZE C	REV	QC	INITIALS	DRAWN	
		PSI		CHECKED	
		DIMS		ENG APPR.	
		PARTS		MFG APPR.	
		TAG		QA:	
PKG		INTERPRET GEOMETRIC TOLERANCING PER:		COMMENTS:	
<small>PROPRIETARY AND CONFIDENTIAL</small> <small>THE INFORMATION CONTAINED IN THIS DRAWING IS THE SOLE PROPERTY OF ALUMITANK. ANY REPRODUCTION IN PART OR AS A WHOLE WITHOUT THE WRITTEN PERMISSION OF ALUMITANK IS PROHIBITED.</small>		<small>DIMENSIONS ARE IN INCHES</small> <small>TOLERANCES:</small> <small>FRACTIONAL: ±</small> <small>ANGULAR: MACH ± BEND ±</small> <small>TWO PLACE DECIMAL ±</small> <small>THREE PLACE DECIMAL ±</small>		<small>MATERIAL:</small> 5052 H32 ALUMINUM <small>FINISH:</small> SEE BOM <small>DO NOT SCALE DRAWING</small>	
		<small>11317 N. US HWY 14 HARVARD, IL 60033 815-943-6649</small>		<small>800-652-6630 FAX 855-774-6918 WWW.ALUMITANK.COM INFO@ALUMITANK.COM</small>	
		AlumiTank <small>THE FUEL TANK SPECIALIST</small>		DWG. NO. K424-0666N0102U111	
		<small>SCALE: 1:10</small>		<small>WEIGHT:</small>	
				<small>SHEET 1 OF 1</small>	