

CUSTOMER SIGNATURE: _____

DATE: _____

IN AN EFFORT TO ENSURE ACCURACY, PLEASE REVIEW YOUR DRAWING DIMENSIONS AND FITTING SIZES FOR POSSIBLE ERRORS AND OMISSIONS. CALL WITH ANY CORRECTIONS BEFORE SIGNING THIS DRAWING. ALL TANKS DESIGNED AND/OR BUILT, IN PART OR COMPLETE, BY ALUMITANK OR ANY OF ITS PEOPLE ARE CERTIFIED FOR USE ONLY WITH DISTILLATE, HYDRAULIC, OR WATER. ANY VARIATIONS OF USE OR MODIFICATIONS OF THE TANK ARE PROHIBITED. CUSTOMER SIGNATURE ON DOCUMENT/DRAWING INDICATES AGREEMENT BY SIGNER OR RECIPIENT OF TANK AND HOLDS ALUMITANK HARMLESS.

CUSTOMER NAME:

SIDE OF TRUCK:

SHOP #:

PARTS:

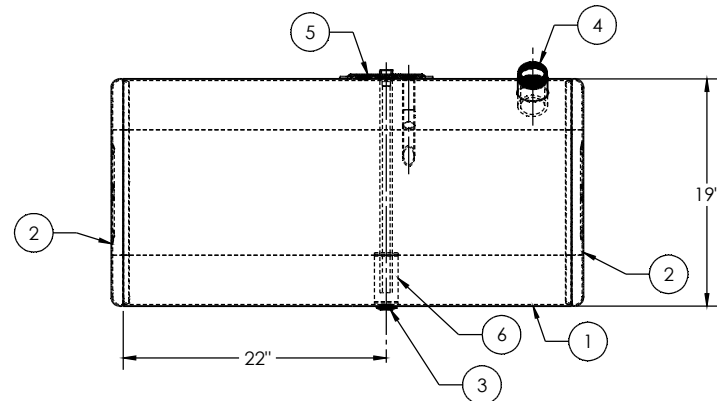
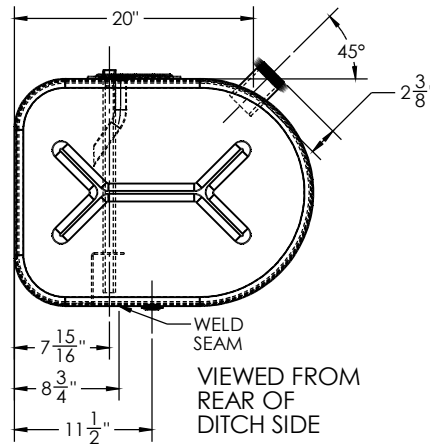
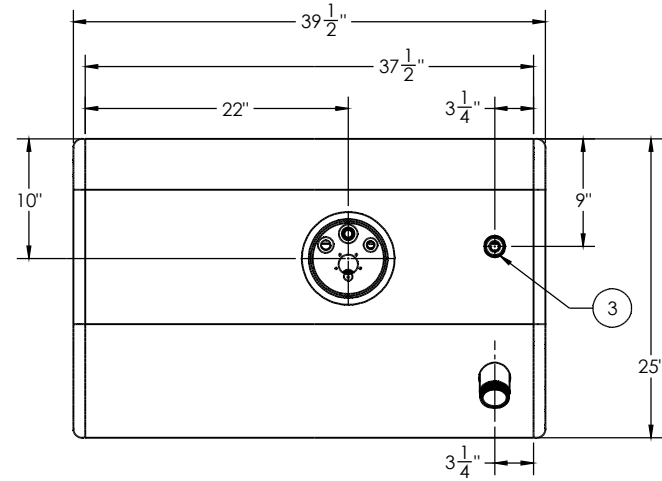
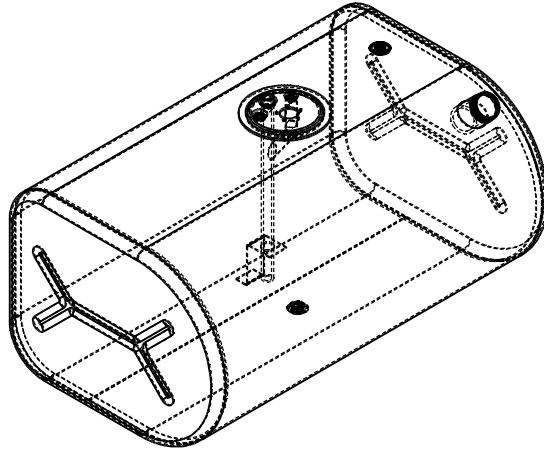
FINISH:

CAPACITY:

SERIAL #:

CHASSIS STYLE:

SHIP DATE:



ITEM NO.	PART NUMBER	DESCRIPTION	AT-IN-3004/QTY.
1	BRL-AT-IN-19D	1/8" TANK BARREL	1
2	ECP-030440012400	19" X 25" MILGRADE ALUMINUM "D" SHAPED END CAP	2
3	FLG-050220	1/2" NPTF MILGRADE ALUMINUM FLANGE	2
4	FLN-0641012230	4' LONG - 2" NPSM - 11.5 TPI MILGRADE ALUMINUM FILL NECK	1
5	ADP-52222304	19" MILGRADE ALUMINUM DITCH SIDE INTERNATIONAL ADAPTER PLATE	1
6	STR-001 (FLAT)	SMALL TUBE STABILIZER	1

TITLE:		UNLESS OTHERWISE SPECIFIED:		NAME	DATE
SIZE C	REV	QC	INITIALS	DRAWN	
		PSI		CHECKED	
		DIMS		ENG APPR.	
		PARTS		MFG APPR.	
		TAG		D.A.	
		PKG		COMMENTS:	
<small> PROPRIETARY AND CONFIDENTIAL THE INFORMATION CONTAINED IN THIS DRAWING IS THE SOLE PROPERTY OF ALUMITANK. ANY REPRODUCTION IN PART OR AS A WHOLE WITHOUT THE WRITTEN PERMISSION OF ALUMITANK IS PROHIBITED. </small>		<small> DIMENSIONS ARE IN INCHES TOLERANCES: FRACTIONS ± ANGULAR MATCH BEND ± TWO PLACE DECIMAL ± THREE PLACE DECIMAL ± INTERPRET GEOMETRIC TOLERANCING PER: </small>		DRAWN: _____ CHECKED: _____ ENG APPR.: _____ MFG APPR.: _____ D.A.: _____ COMMENTS: _____	
MATERIAL: 5052 H32 ALUMINUM FINISH: SEE BOM DO NOT SCALE DRAWING		11317 N. US HWY 14 HARVARD, IL 60033 815-943-6649		800-652-6630 FAX 855-774-6918 WWW.ALUMITANK.COM INFO@ALUMITANK.COM	
		DWG. NO. AT-IN-3004		SCALE: 1:8 WEIGHT: SHEET 1 OF 1	