

CUSTOMER SIGNATURE: _____

DATE: _____

IN AN EFFORT TO ENSURE ACCURACY, PLEASE REVIEW YOUR DRAWING DIMENSIONS AND FITTING SIZES FOR POSSIBLE ERRORS AND OMISSIONS. CALL WITH ANY CORRECTIONS BEFORE SIGNING THIS DRAWING. ALL TANKS DESIGNED AND/OR BUILT, IN PART OR COMPLETE, BY ALUMITANK OR ANY OF ITS PEOPLE ARE CERTIFIED FOR USE ONLY WITH DISTILLATE, HYDRAULIC, OR WATER. ANY VARIATIONS OF USE OR MODIFICATIONS OF THE TANK ARE PROHIBITED. CUSTOMER SIGNATURE ON DOCUMENT/DRAWING INDICATES AGREEMENT BY SIGNER OR RECIPIENT OF TANK AND HOLDS ALUMITANK HARMLESS.

CUSTOMER NAME: _____

SIDE OF TRUCK: _____

SHOP #: _____

PARTS: _____

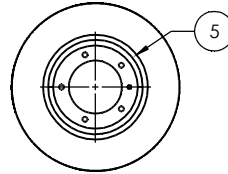
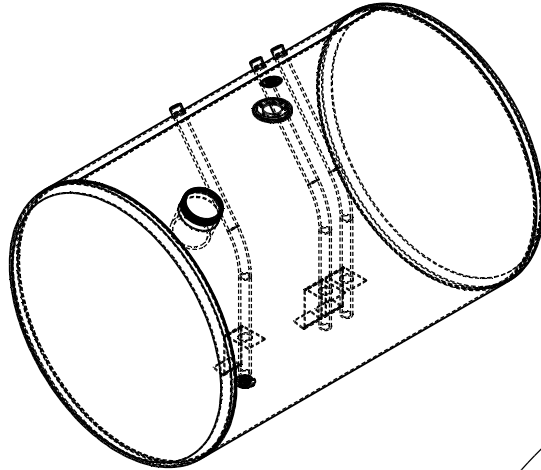
FINISH: _____

CAPACITY: _____

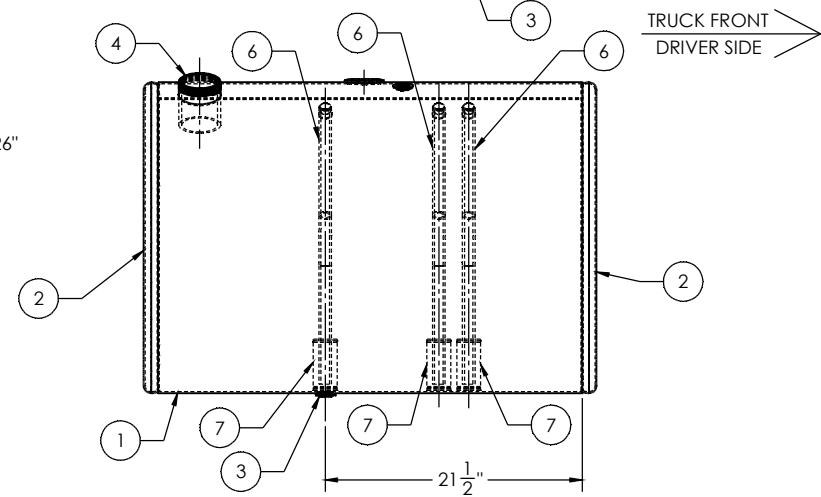
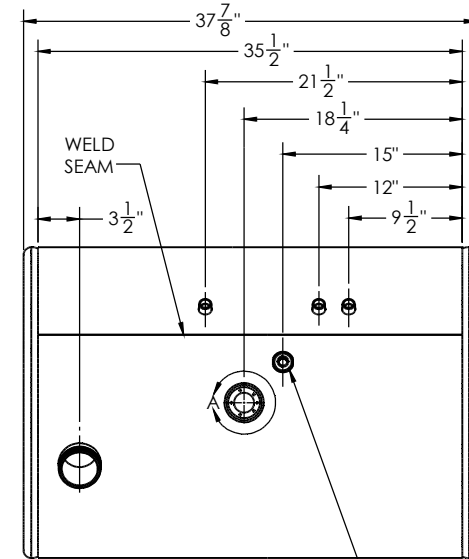
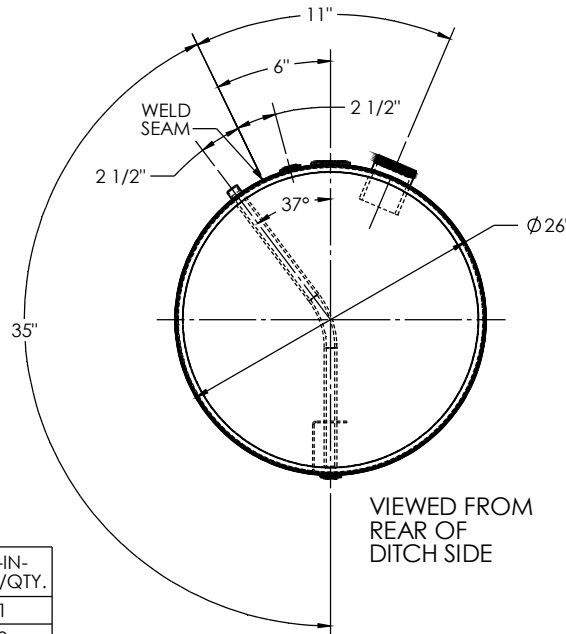
SERIAL #: _____

CHASSIS STYLE: _____

SHIP DATE: _____



DETAIL A
SCALE 1 : 3



ITEM NO.	PART NUMBER	DESCRIPTION	AT-IN-1002/QTY.
1	BRL-AT-IN-1002	1/8" TANK BARREL	1
2	ECP-4160012100	26" MILGRADE ALUMINUM END CAP	2
3	FLG-050220	1/2" NPTF MILGRADE ALUMINUM FLANGE	2
4	FLN-0641212210	4" LONG - 3" NPSM - 8 TPI MILGRADE ALUMINUM FILL NECK	1
5	BSE-00182220	CURVED MILGRADE ALUMINUM SENDER BASE	1
6	TBS-501200	1/2" NPTF TUBE	3
7	STR-001 (DIA 26.00 TUBE 1.125)	SMALL TUBE STABILIZER (1.125)	3

TITLE:		UNLESS OTHERWISE SPECIFIED:		NAME	DATE
C	SIZE	QC	INITIALS	DRAWN	
	REV	PSI		CHECKED	
		DIMS		ENG APPR.	
		PARTS		MFG APPR.	
	TAG			D.A.	
	PKG			COMMENTS:	

AlumiTank
THE FUEL TANK SPECIALISTS

11317 N. US HWY 14 HARVARD, IL 60033 815-943-6649

800-652-6630 FAX 855-774-6918 WWW.ALUMITANK.COM INFO@ALUMITANK.COM

DWG. NO. **AT-IN-1002**

SCALE: 1:8 WEIGHT: SHEET 1 OF 1

PROPRIETARY AND CONFIDENTIAL
THE INFORMATION CONTAINED IN THIS DRAWING IS THE SOLE PROPERTY OF ALUMITANK. ANY REPRODUCTION IN PART OR AS A WHOLE WITHOUT THE WRITTEN PERMISSION OF ALUMITANK IS PROHIBITED.

DIMENSIONS ARE IN INCHES
TOLERANCES:
FRACTIONS: ±
ANGULAR: MATCH BEND ±
TWO PLACE DECIMAL
THREE PLACE DECIMAL
INTERPRET GEOMETRIC TOLERANCING PER:
MATERIAL: 5052 H32 ALUMINUM
FINISH: SEE BOM
DO NOT SCALE DRAWING