

CUSTOMER SIGNATURE: _____

DATE: _____

IN AN EFFORT TO ENSURE ACCURACY, PLEASE REVIEW YOUR DRAWING DIMENSIONS AND FITTING SIZES FOR POSSIBLE ERRORS AND OMISSIONS. CALL WITH ANY CORRECTIONS BEFORE SIGNING THIS DRAWING. ALL TANKS DESIGNED AND/OR BUILT, IN PART OR COMPLETE, BY ALUMITANK OR ANY OF ITS PEOPLE ARE CERTIFIED FOR USE ONLY WITH DISTILLATE, HYDRAULIC, OR WATER. ANY VARIATIONS OF USE OR MODIFICATIONS OF THE TANK ARE PROHIBITED. CUSTOMER SIGNATURE ON DOCUMENT/DRAWING INDICATES AGREEMENT BY SIGNER OR RECIPIENT OF TANK AND HOLDS ALUMITANK HARMLESS.

CUSTOMER NAME:

SIDE OF TRUCK:

SHOP #:

PARTS:

FINISH:

CAPACITY:

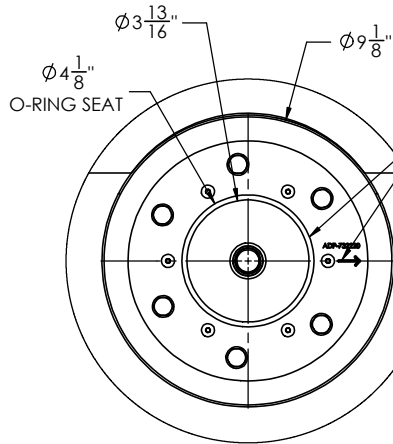
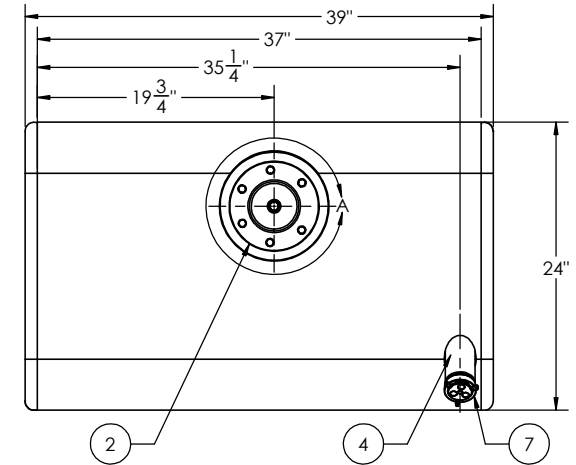
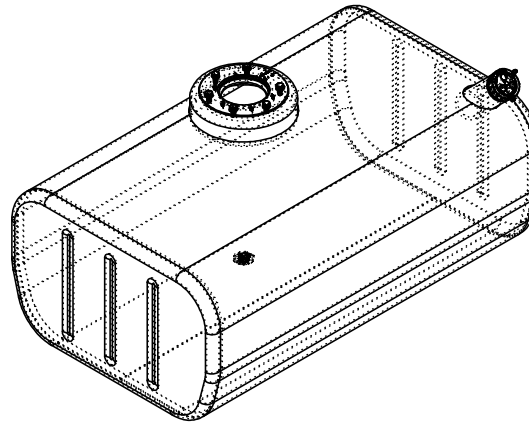
SERIAL #:

CHASSIS STYLE:

SHIP DATE:

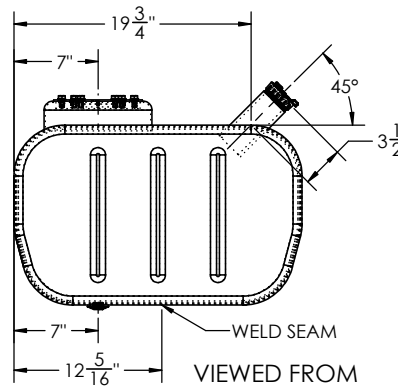
We highly recommend using some of the following parts:

Part Number	Description	Price
MTG-GM15-BK	Black powder coated strap for 15" tapered bottom tank	\$45 each
MTG-GM15-SS	Stainless steel strap for 15" tapered bottom tank	\$60 each
MTG-GM15-IK	15" GMC Insulator Kit	\$45 each

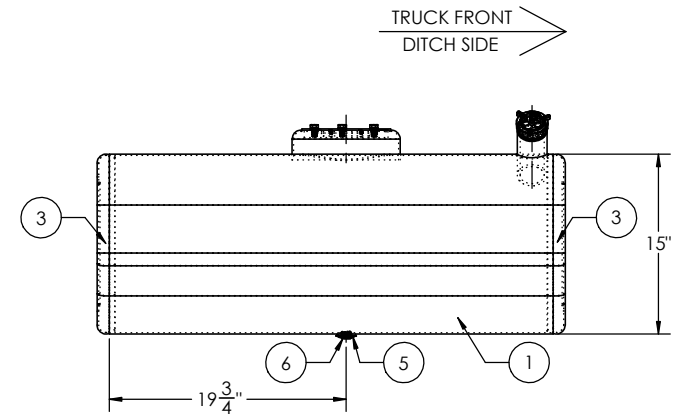


DETAIL A
SCALE 1 : 3
GASKET REMOVED
FOR CLARITY

CAUTION:
VERIFY RISER PLATE
HOLE SIZE AND
HOSE DIRECTION
RELATIVE TO ARROW



VIEWED FROM
REAR OF
DITCH SIDE



TRUCK FRONT
DITCH SIDE

ITEM NO.	PART NUMBER	DESCRIPTION	AT-GM-4005/QTY.
1	BRL-GM-4001	1/8" TANK BARREL	1
2	ADP-732220	MILGRADE ALUMINUM GMC RISER DOME PLATE (NEW)	1
3	ECP-024038412500	15" X 24" MILGRADE ALUMINUM TAPERED BOTTOM END CAP	2
4	FLN-0961012230	6" LONG - 2" NPSM - 11.5 TPI MILGRADE ALUMINUM FILL NECK	1
5	FLG-050220	1/2" NPTF MILGRADE ALUMINUM FLANGE	1
6	94135	1/2"NPTF SOCKET HEAD PIPE PLUG	1
7	FCP-1330 (600133)	2" NON-VENTED, NON-LOCK CAP	1

TITLE:		UNLESS OTHERWISE SPECIFIED:		NAME	DATE
SIZE C	REV	QC	INITIALS	DRAWN	
		PSI		CHECKED	
		DIMS		ENG APPR.	
		PARTS		MFG APPR.	
TAG		INTERPRET GEOMETRIC TOLERANCING PER:	COMMENTS:		
PKG		MATERIAL: 5052 H32 ALUMINUM	DWG. NO. AT-GM-4005		
		FINISH: SEE BOM	SCALE: 1:8 WEIGHT: SHEET 1 OF 1		
		DO NOT SCALE DRAWING			

AlumiTank[®]
THE FUEL TANK SPECIALISTS

11317 N. US HWY 14 HARVARD, IL 60033 815-943-6649

800-652-6630 FAX 855-774-6918 WWW.ALUMITANK.COM INFO@ALUMITANK.COM