

CUSTOMER SIGNATURE: _____

DATE: _____

IN AN EFFORT TO ENSURE ACCURACY, PLEASE REVIEW YOUR DRAWING DIMENSIONS AND FITTING SIZES FOR POSSIBLE ERRORS AND OMISSIONS. CALL WITH ANY CORRECTIONS BEFORE SIGNING THIS DRAWING. ALL TANKS DESIGNED AND/OR BUILT, IN PART OR COMPLETE, BY ALUMITANK OR ANY OF ITS PEOPLE ARE CERTIFIED FOR USE ONLY WITH DISTILLATE, HYDRAULIC, OR WATER. ANY VARIATIONS OF USE OR MODIFICATIONS OF THE TANK ARE PROHIBITED. CUSTOMER SIGNATURE ON DOCUMENT/DRAWING INDICATES AGREEMENT BY SIGNER OR RECIPIENT OF TANK AND HOLDS ALUMITANK HARMLESS.

CUSTOMER NAME:

SIDE OF TRUCK:

SHOP #:

PARTS:

FINISH:

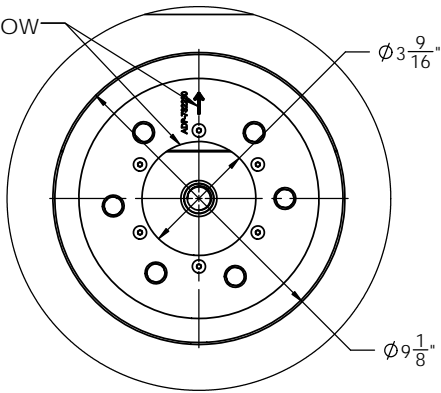
CAPACITY:

SERIAL #:

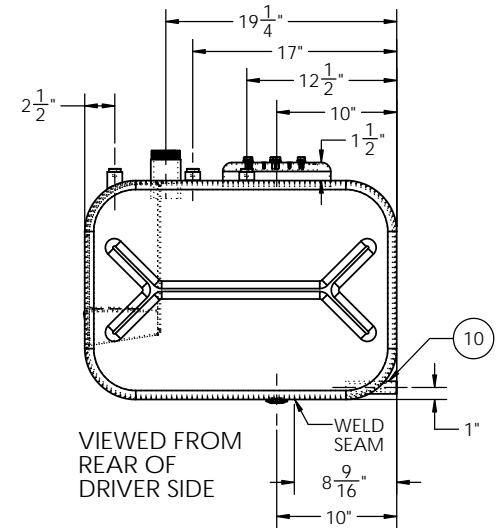
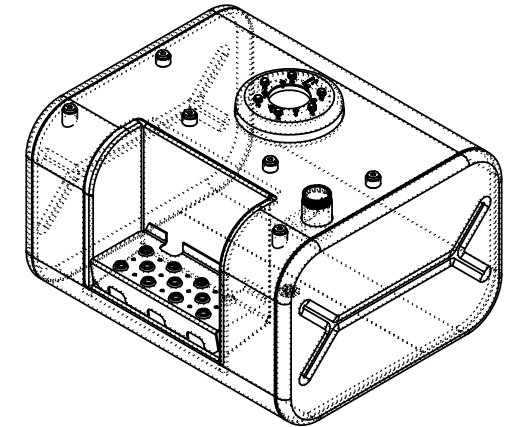
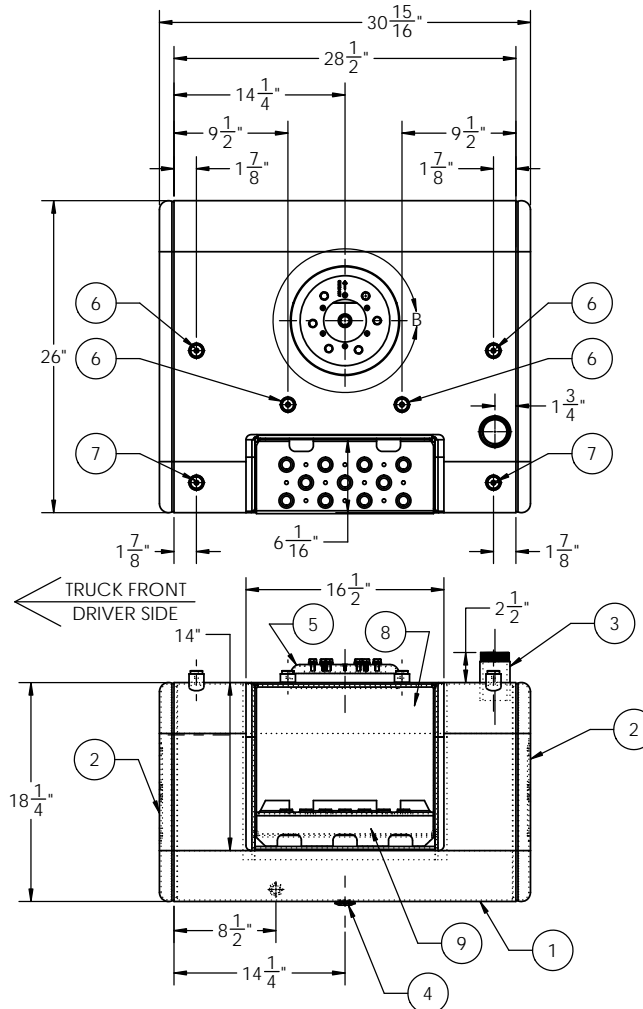
CHASSIS STYLE:

SHIP DATE:

CAUTION:
VERIFY RISER PLATE
HOLE SIZE AND
HOSE DIRECTION
RELATIVE TO ARROW



DETAIL B
SCALE 1 : 3
GASKET REMOVED
FOR CLARITY



ITEM NO.	PART NUMBER	DESCRIPTION	AT-GM-2001/QTY.
1	BRL-GM-2001	1/8" TANK BARREL	1
2	ECP-029241612600	18 1/4" X 26" MILGRADE ALUMINUM RECTANGULAR END CAP	2
3	FLN-0641012230	4" LONG - 2" NPSM - 11.5 TPI MILGRADE ALUMINUM FILL NECK	1
4	FLG-050220	1/2" NPTF MILGRADE ALUMINUM FLANGE	1
5	ADP-732230	MILGRADE ALUMINUM GMC DOME RISER PLATE (OLD)	1
6	STB-482250	3/8-16 MILGRADE ALUMINUM FLAT STEP BUSHING	4
7	STB-482240	3/8-16 MILGRADE ALUMINUM CURVED STEP BUSHING	2
8	PKT-1	15" WIDE X 14" TALL MILGRADE ALUMINUM POCKET	1
9	SEP-1	14 3/4" WIDE X TALL MILGRADE ALUMINUM INSERT STEP	1
10	TBS-503200	1/2" NPTF STRAIGHT ALUMINUM TUBE	1

TITLE:				UNLESS OTHERWISE SPECIFIED:		NAME	DATE
SIZE C	REV	QC	INITIALS	DIMENSIONS ARE IN INCHES	TOLERANCES:	DRAWN	
		PSI		FRACTIONAL ±	DECIMAL ±	CHECKED	
		DIMS		ANGULAR MATCH ±	BEND ±	ENG APPR	
		PARTS		TWO PLACE DECIMAL ±	THREE PLACE DECIMAL ±	MFG APPR	
TAG		INTERPRET GEOMETRIC TOLERANCING PER:	MATERIAL:	5052 H32 ALUMINUM	COMMENTS:		
PKG		FINISH:	SEE BOM	DO NOT SCALE DRAWING			

AlumiTank
THE FUEL TANK SPECIALISTS

11317 N. US HWY 14 HARVARD, IL 60033
800-652-6630 FAX 855-774-6918
WWW.ALUMITANK.COM INFO@ALUMITANK.COM

DWG. NO. **AT-GM-2001**
SCALE: 1:8 WEIGHT: SHEET 1 OF 1