

CUSTOMER SIGNATURE: _____

DATE: _____

IN AN EFFORT TO ENSURE ACCURACY, PLEASE REVIEW YOUR DRAWING DIMENSIONS AND FITTING SIZES FOR POSSIBLE ERRORS AND OMISSIONS. CALL WITH ANY CORRECTIONS BEFORE SIGNING THIS DRAWING. ALL TANKS DESIGNED AND/OR BUILT, IN PART OR COMPLETE, BY ALUMITANK OR ANY OF ITS PEOPLE ARE CERTIFIED FOR USE ONLY WITH DISTILLATE, HYDRAULIC, OR WATER. ANY VARIATIONS OF USE OR MODIFICATIONS OF THE TANK ARE PROHIBITED. CUSTOMER SIGNATURE ON DOCUMENT/DRAWING INDICATES AGREEMENT BY SIGNER OR RECIPIENT OF TANK AND HOLDS ALUMITANK HARMLESS.

CUSTOMER NAME:

SIDE OF TRUCK:

SHOP #:

PARTS:

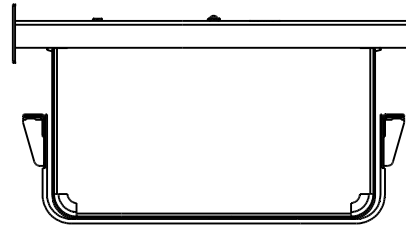
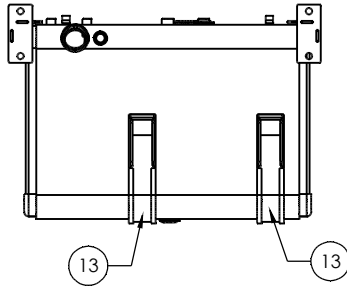
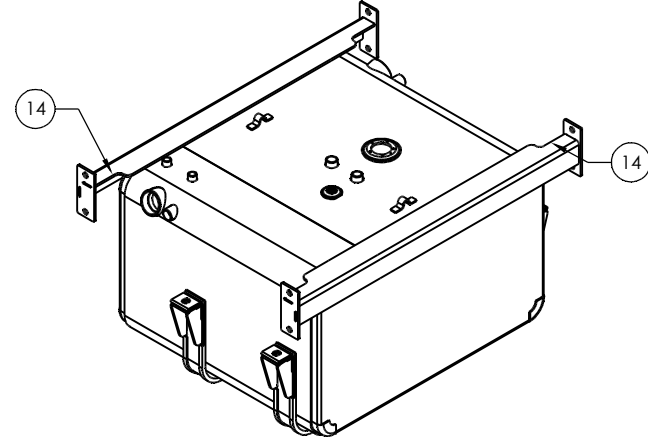
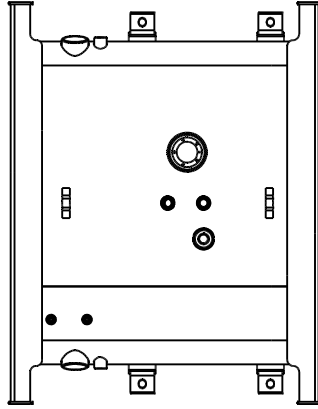
FINISH:

CAPACITY:

SERIAL #:

CHASSIS STYLE:

SHIP DATE:



ITEM NO.	PART NUMBER	DESCRIPTION	WITH MOUNTING/QTY.
13	SKT-BF-4	16-1/4" X 27" BETWEEN FRAME RAILS MOUNTING KIT	2
14	BRT-AT-FL-2108	33-5/8" BLACK POWDER SATIN STEEL UPPER TANK BRACKET	2

TITLE:		UNLESS OTHERWISE SPECIFIED:		NAME	DATE
SIZE C	REV	QC	INITIALS	DRAWN	
		PSI		CHECKED	
		DIMS		ENG APPR.	
		PARTS		MFG APPR.	
TAG		COMMENTS:			
PKG		MATERIAL: 5052 H32 ALUMINUM			
FINISH: SEE BOM		DRAWING NO. AT-FL-2109			
DO NOT SCALE DRAWING		SCALE: 1:8 WEIGHT: SHEET 2 OF 2			

AlumiTank[®]
THE FUEL TANK SPECIALISTS

11317 N. US HWY 14 HARVARD, IL 60033 815-943-6649

800-652-6630 FAX 855-774-6918 WWW.ALUMITANK.COM INFO@ALUMITANK.COM