

CUSTOMER SIGNATURE: _____

DATE: _____

IN AN EFFORT TO ENSURE ACCURACY, PLEASE REVIEW YOUR DRAWING DIMENSIONS AND FITTING SIZES FOR POSSIBLE ERRORS AND OMISSIONS. CALL WITH ANY CORRECTIONS BEFORE SIGNING THIS DRAWING. ALL TANKS DESIGNED AND/OR BUILT, IN PART OR COMPLETE, BY ALUMITANK OR ANY OF ITS PEOPLE ARE CERTIFIED FOR USE ONLY WITH DISTILLATE, HYDRAULIC, OR WATER. ANY VARIATIONS OF USE OR MODIFICATIONS OF THE TANK ARE PROHIBITED. CUSTOMER SIGNATURE ON DOCUMENT/DRAWING INDICATES AGREEMENT BY SIGNER OR RECIPIENT OF TANK AND HOLDS ALUMITANK HARMLESS.

CUSTOMER NAME: _____

SIDE OF TRUCK: _____

SHOP #: _____

PARTS: _____

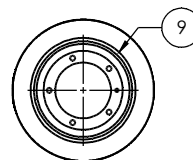
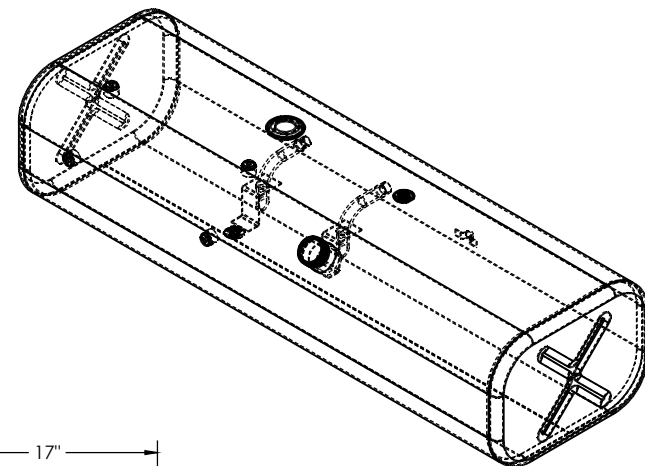
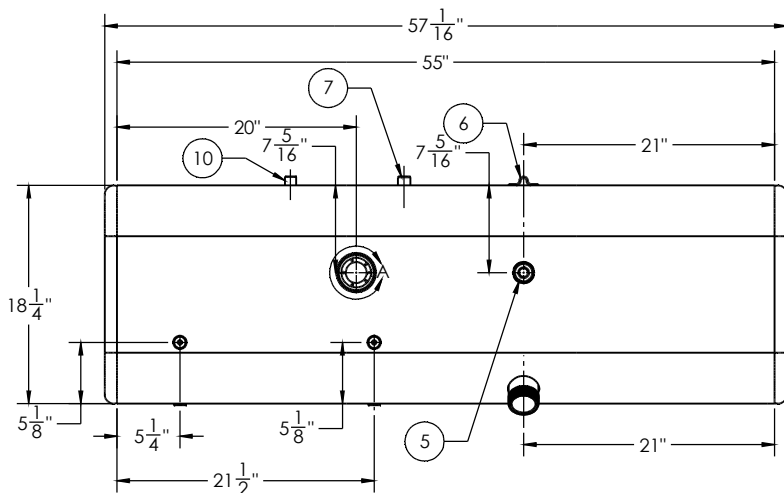
FINISH: _____

CAPACITY: _____

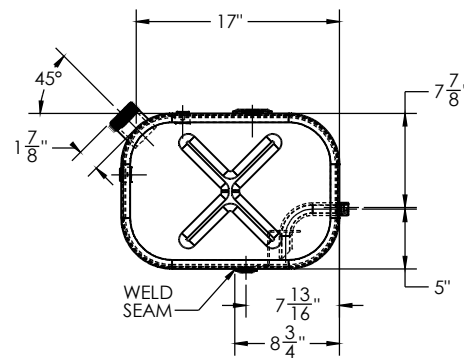
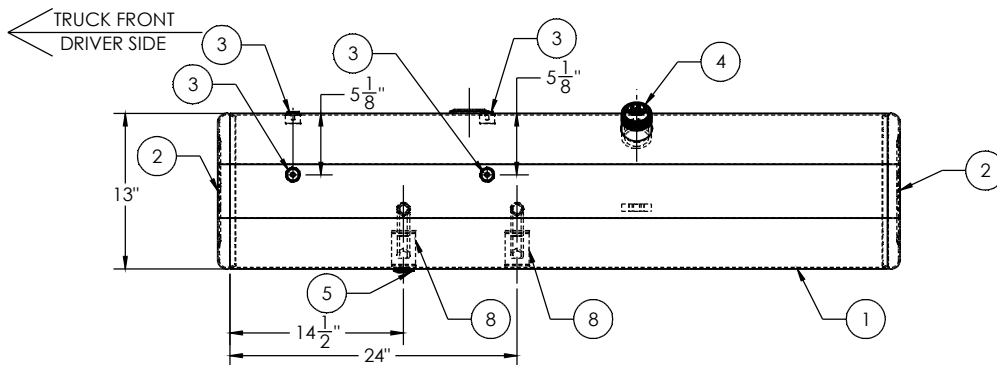
SERIAL #: _____

CHASSIS STYLE: _____

SHIP DATE: _____



DETAIL A
SCALE 1:3



VIEWED FROM REAR
OF DRIVER SIDE

ITEM NO.	PART NUMBER	DESCRIPTION	AT-FL-2003 /QTY.
1	BRL-AT-FL-55-RECT	1/8" TANK BARREL	1
2	ECP-020829212600	13" X 18 1/4" MILGRADE ALUMINUM RECTANGULAR END CAP	2
3	STB-482250	3/8-16 MILGRADE ALUMINUM FLAT STEP BUSHING	4
4	FLN-0481012210	3" LONG - 2" NPSM - 8 TPI MILGRADE ALUMINUM FILL NECK	1
5	FLG-050220	1/2" NPTF MILGRADE ALUMINUM FLANGE	2
6	MSC-001	MILGRADE ALUMINUM HOSE CLIP	1
7	TBS-50120100080	1/2" NPTF BENT ALUMINUM TUBE TYPE 1 FIVE INCHES UP	1
8	STR-001 (FLAT)	TUBE SUPPORT	2
9	BSE-00182230	FLAT MILGRADE ALUMINUM SENDER BASE	1
10	TBS-40120100080	3/8" NPTF BENT ALUMINUM TUBE TYPE 1 FIVE INCHES UP	1

TITLE:		UNLESS OTHERWISE SPECIFIED:		DRAWN		NAME		DATE	
SIZE	REV	QC	INITIALS	DIMENSIONS ARE IN INCHES		TOLERANCES		FRACTIONS	
		PSI		TWO PLACE DECIMAL		ANGULAR MATCH		BEND	
		DIMS		THREE PLACE DECIMAL		INTERPRET GEOMETRIC		TOLERANCING PER:	
		PARTS		MATERIAL		5052 H32 ALUMINUM		FINISH	
TAG		SEE BOM		DO NOT SCALE DRAWING		COMMENTS:		DRAWN	
PKG								DATE	

THE FUEL TANK SPECIALISTS

11317 N. US HWY 14 HARVARD, IL 60033 815-943-6649

800-652-6630 FAX 855-774-6918 WWW.ALUMITANK.COM INFO@ALUMITANK.COM

DWG. NO. **AT-FL-2003**

SCALE: 1:8 | WEIGHT: | SHEET 1 OF 1