

CUSTOMER SIGNATURE: \_\_\_\_\_

DATE: \_\_\_\_\_

IN AN EFFORT TO ENSURE ACCURACY, PLEASE REVIEW YOUR DRAWING DIMENSIONS AND FITTING SIZES FOR POSSIBLE ERRORS AND OMISSIONS. CALL WITH ANY CORRECTIONS BEFORE SIGNING THIS DRAWING. ALL TANKS DESIGNED AND/OR BUILT, IN PART OR COMPLETE, BY ALUMITANK OR ANY OF ITS PEOPLE ARE CERTIFIED FOR USE ONLY WITH DISTILLATE, HYDRAULIC, OR WATER. ANY VARIATIONS OF USE OR MODIFICATIONS OF THE TANK ARE PROHIBITED. CUSTOMER SIGNATURE ON DOCUMENT/DRAWING INDICATES AGREEMENT BY SIGNER OR RECIPIENT OF TANK AND HOLDS ALUMITANK HARMLESS.

CUSTOMER NAME:

SIDE OF TRUCK:

SHOP #:

PARTS:

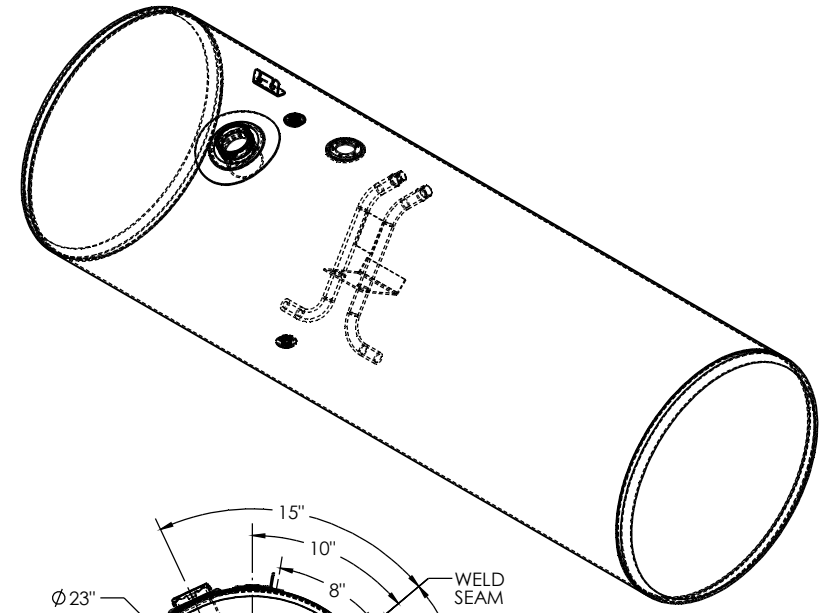
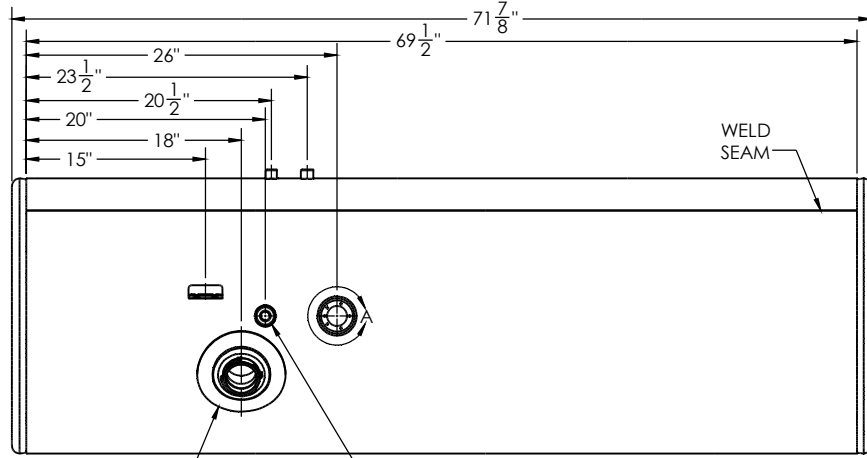
FINISH:

CAPACITY:

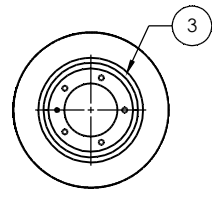
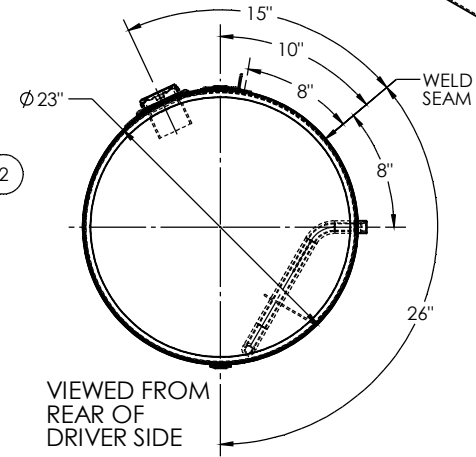
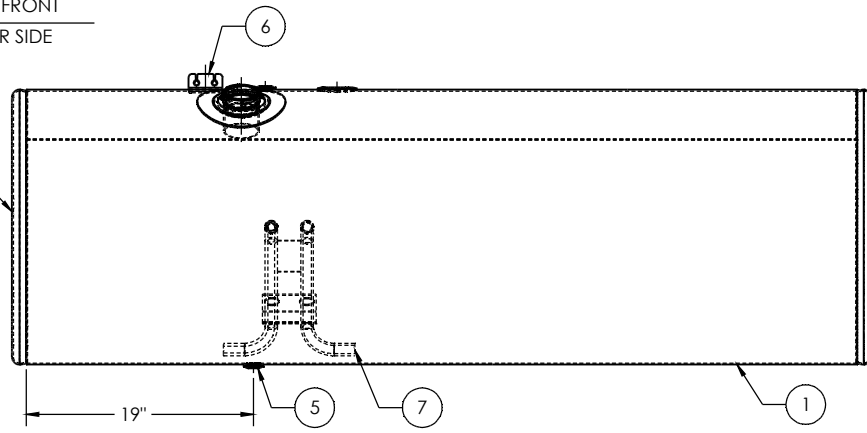
SERIAL #:

CHASSIS STYLE:

SHIP DATE:



TRUCK FRONT  
DRIVER SIDE



ITEM NO.	PART NUMBER	DESCRIPTION	AT-FL-1003 /QTY.
1	BRL-AT-FL-695	1/8" TANK BARREL	1
2	ECP-3680012100	23" MILGRADE ALUMINUM END CAP	2
3	BSE-00182220	CURVED MILGRADE ALUMINUM SENDER BASE	1
4	FLN-20022240	MILGRADE ALUMINUM FREIGHTLINER CAM LOCK FILL NECK - ROUND	1
5	FLG-050220	1/2" NPTF MILGRADE ALUMINUM FLANGE	2
6	MSC-005	WIRE CLIP	1
7	DTA-12236800	23" DRIVER FREIGHTLINER TUBE ASSEMBLY	1

TITLE:		UNLESS OTHERWISE SPECIFIED:		DRAWN		NAME		DATE	
SIZE	REV	QC	INITIALS	DIMENSIONS ARE IN INCHES	CHECKED				
		PSI		TOLERANCES	ENG APPR.				
		DIMS		FRACTIONAL ±	ENG APPR.				
		PARTS		ANGULAR MATCH BEND ±	ENG APPR.				
TAG		THREE PLACE DECIMAL ±	D.A.						
PKG		INTERPRET GEOMETRIC TOLERANCING PER:	SEE BOM						
<small>PROPRIETARY AND CONFIDENTIAL</small> THE INFORMATION CONTAINED IN THIS DRAWING IS THE SOLE PROPERTY OF ALUMITANK. ANY REPRODUCTION IN PART OR AS A WHOLE WITHOUT THE WRITTEN PERMISSION OF ALUMITANK IS PROHIBITED.		MATERIAL: 5052 H32 ALUMINUM		COMMENTS:					
						11317 N. US HWY 14 HARVARD, IL 60033 815-943-6649			
						800-452-6030 FAX 855-774-6918 WWW.ALUMITANK.COM INFO@ALUMITANK.COM			
						DWG. NO. <b>AT-FL-1003</b> SCALE: 1:8 WEIGHT: SHEET 1 OF 1			