

CUSTOMER SIGNATURE: _____

DATE: _____

IN AN EFFORT TO ENSURE ACCURACY, PLEASE REVIEW YOUR DRAWING DIMENSIONS AND FITTING SIZES FOR POSSIBLE ERRORS AND OMISSIONS. CALL WITH ANY CORRECTIONS BEFORE SIGNING THIS DRAWING. ALL TANKS DESIGNED AND/OR BUILT, IN PART OR COMPLETE, BY ALUMITANK OR ANY OF ITS PEOPLE ARE CERTIFIED FOR USE ONLY WITH DISTILLATE, HYDRAULIC, OR WATER. ANY VARIATIONS OF USE OR MODIFICATIONS OF THE TANK ARE PROHIBITED. CUSTOMER SIGNATURE ON DOCUMENT/DRAWING INDICATES AGREEMENT BY SIGNER OR RECIPIENT OF TANK AND HOLDS ALUMITANK HARMLESS.

CUSTOMER NAME:

SIDE OF TRUCK:

SHOP #:

PARTS:

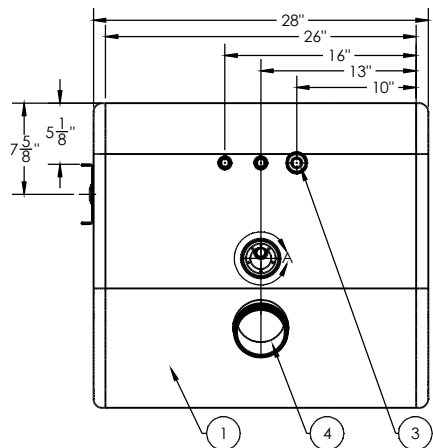
FINISH:

CAPACITY:

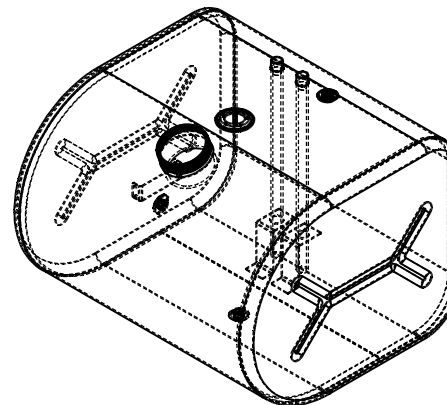
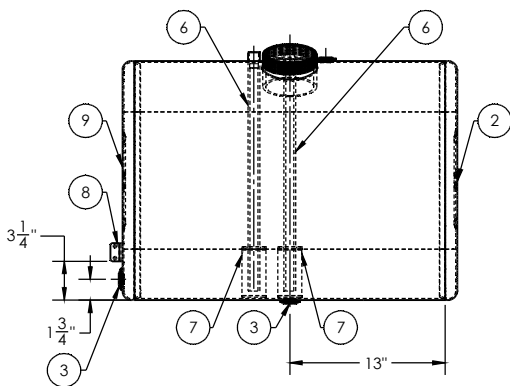
SERIAL #:

CHASSIS STYLE:

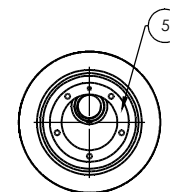
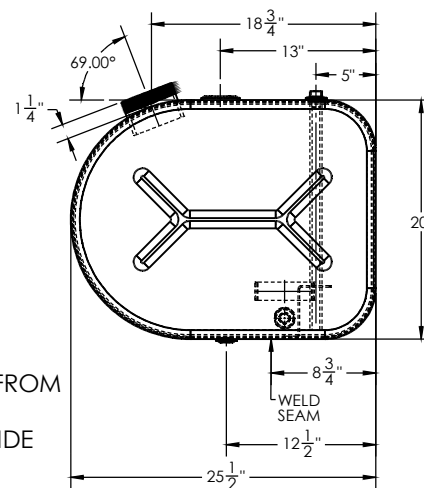
SHIP DATE:



TRUCK FRONT
DRIVER SIDE



VIEWED FROM
REAR OF
DRIVER SIDE



DETAIL A
SCALE 1 : 3

ITEM NO.	PART NUMBER	DESCRIPTION	QTY.
1	BRL-AT-FD-3003	1/8" TANK BARREL	1
2	ECP-032040812400	20" X 25 1/2" MILGRADE ALUMINUM "D" SHAPED END CAP	1
3	FLG-050220	1/2" NPTF MILGRADE ALUMINUM FLANGE	3
4	FLN-0481412210	3" LONG - 4" NPSM - 8TPI MILGRADE ALUMINUM FILL NECK	1
5	BSE-00182230	FLAT MILGRADE ALUMINUM SENDER BASE	1
6	TBS-503200	1/2" NPTF STRAIGHT ALUMINUM TUBE	2
7	STR-001 (FLAT 1.125)	SMALL TUBE STABILIZER (1.125)	2
8	MSC-022	1/8" MILGRADE ALUMINUM D TANK BRACKET	1
9	ECP-20-25.5-D-LEFT-7.625	20" X 25 1/2" MILGRADE ALUMINUM "D" SHAPED END CAP	1

ALUMITANK PART NUMBER: AT-FD-3003

TITLE:		UNLESS OTHERWISE SPECIFIED:		NAME	DATE
C	SIZE	QC	INITIALS	DRAWN	
	REV	PSI		CHECKED	
		DIMS		ENG APPR.	
		PARTS		MFG APPR.	
	TAG			D.A.	
	PKG			COMMENTS:	
<small>PROPRIETARY AND CONFIDENTIAL THE INFORMATION CONTAINED IN THIS DRAWING IS THE SOLE PROPERTY OF ALUMITANK. ANY REPRODUCTION IN PART OR AS A WHOLE WITHOUT THE WRITTEN PERMISSION OF ALUMITANK IS PROHIBITED.</small>		<small>DIMENSIONS ARE IN INCHES TOLERANCES: FRACTIONS ± ANGULAR MATCH BEND ± TWO PLACE DECIMAL ± THREE PLACE DECIMAL ± INTERPRET GEOMETRIC TOLERANCING PER:</small>		<small>MATERIAL: 5052 H32 ALUMINUM FINISH: SEE BOM DO NOT SCALE DRAWING</small>	
<small>11317 N. US HWY 14 HARVARD, IL 60033 815-943-6649</small>				<small>800-652-6630 FAX 855-774-6918 WWW.ALUMITANK.COM INFO@ALUMITANK.COM</small>	
<small>DWG. NO.</small> AT-FD-3003				<small>SCALE: 1:8 WEIGHT: SHEET 1 OF 1</small>	