

CUSTOMER SIGNATURE: _____

DATE: _____

IN AN EFFORT TO ENSURE ACCURACY, PLEASE REVIEW YOUR DRAWING DIMENSIONS AND FITTING SIZES FOR POSSIBLE ERRORS AND OMISSIONS. CALL WITH ANY CORRECTIONS BEFORE SIGNING THIS DRAWING. ALL TANKS DESIGNED AND/OR BUILT, IN PART OR COMPLETE, BY ALUMITANK OR ANY OF ITS PEOPLE ARE CERTIFIED FOR USE ONLY WITH DISTILLATE, HYDRAULIC, OR WATER. ANY VARIATIONS OF USE OR MODIFICATIONS OF THE TANK ARE PROHIBITED. CUSTOMER SIGNATURE ON DOCUMENT/DRAWING INDICATES AGREEMENT BY SIGNER OR RECIPIENT OF TANK AND HOLDS ALUMITANK HARMLESS.

CUSTOMER NAME:

SIDE OF TRUCK:

SHOP #:

PARTS:

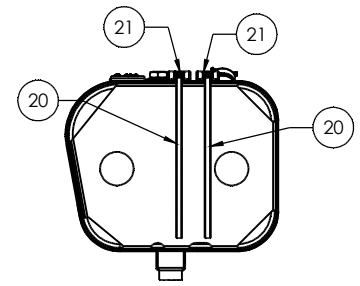
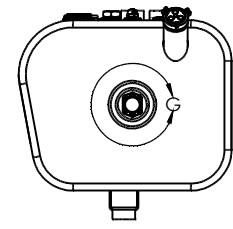
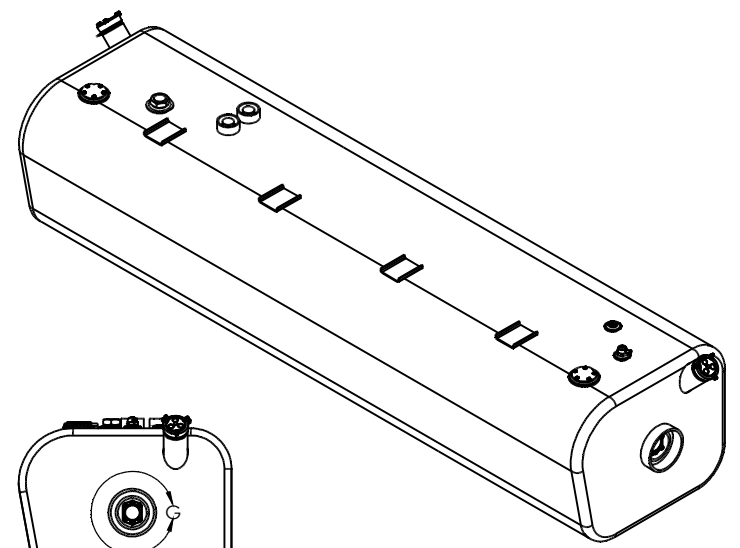
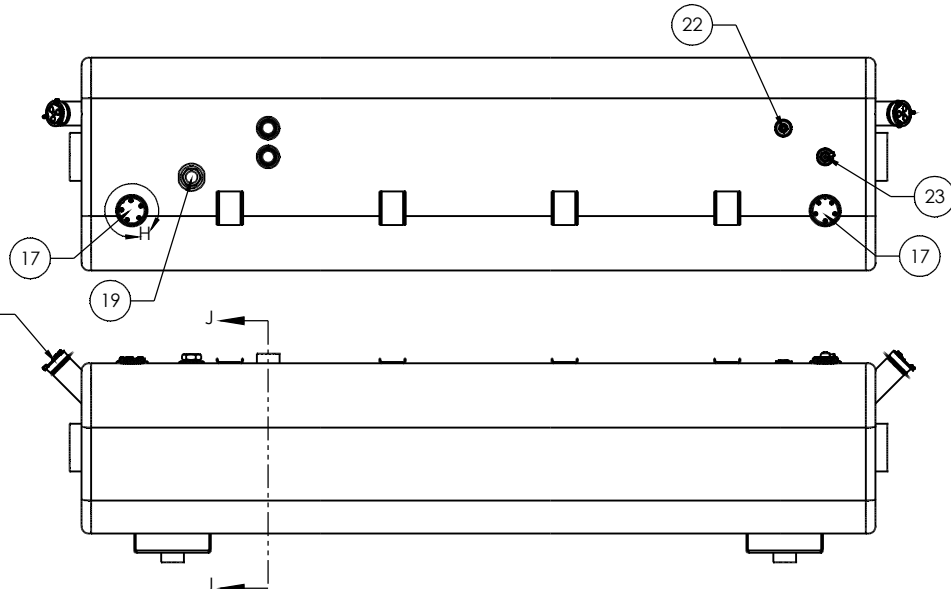
FINISH:

CAPACITY:

SERIAL #:

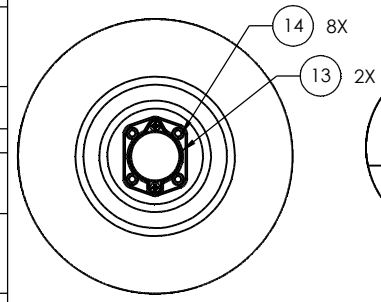
CHASSIS STYLE:

SHIP DATE:

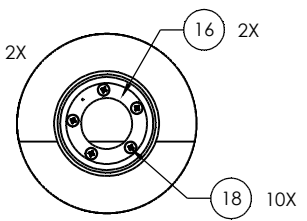


SECTION J-J

ITEM NO.	PART NUMBER	DESCRIPTION	WITH INSTALLED PARTS/QTY.
13	GME - GEAR (FUEL GAUGE)	FUEL GAUGE	2
14	92196A325 (73481)	1/4"-28 X 1" ASTM F837 HEX DRIVE GRADE 18-8 STAINLESS STEEL SOCKET CAP SCREW	8
15	FCP-1330 (600133)	2" NON-VENTED, NON-LOCK CAP	2
16	PLT-SUGA	SENDING UNIT GASKET	2
17	PLT-SU-COVER	1/8" MILGRADE ALUMINUM SENDING UNIT COVER PLATE	2
18	91772A829 (72515)	#10-32 X 1/2" PHILLIPS DRIVE PAN HEAD GRADE 18-8 STAINLESS STEEL MACHINE SCREW	10
19	MSC-033 (FTA-V-59)	THERMAL RELIEF PLUG 1-1/4"	1
20	DTS-1238-STRAIGHT	1/2" NPT TO 3/8" NPT 17" LONG STRAIGHT TUBE	2
21	NIAGARA PO-90	1" PUSH ON, STRAIGHT-THREAD CAP	2
22	50785K115 (68593)	1/2" NPT BRASS SOCKET HEAD PIPE PLUG	1
23	VNT-0500 (FTA-V-37)	VENT ASSEMBLY BRASS .50-14 NPTF W/SEALANT AND SINGLE BARB FOR .312 ID HOSE 2-HOLE CAGE	1



DETAIL G
SCALE 1 : 3
BOTH ENDS



DETAIL H
SCALE 1 : 3
SENDING UNIT COVER
REMOVED FOR CLARITY
TWO LOCATIONS

TITLE: ALUMINUM FUEL TANK				<small>UNLESS OTHERWISE SPECIFIED:</small> DIMENSIONS ARE IN INCHES TOLERANCES: FRACTIONS ± ANGULAR MATCH BEND ± TWO PLACE DECIMAL ± THREE PLACE DECIMAL ±		DRAWN CHECKED ENG APPR. MFG APPR. D.A. COMMENTS:	NAME DATE
SIZE C	REV	QC PSI DIMS PARTS TAG PKG	INITIALS	MATERIAL 5052 H32 ALUMINUM FINISH SEE BOM DO NOT SCALE DRAWING			
<small>PROPRIETARY AND CONFIDENTIAL THE INFORMATION CONTAINED IN THIS DRAWING IS THE SOLE PROPERTY OF ALUMITANK. ANY REPRODUCTION IN PART OR AS A WHOLE WITHOUT THE WRITTEN PERMISSION OF ALUMITANK IS PROHIBITED.</small>				11317 N. US HWY 14 HARVARD, IL 60033 815-943-6649		800-652-6630 FAX 855-774-6918 WWW.ALUMITANK.COM INFO@ALUMITANK.COM	
DWG. NO. AT-CM-5001				SCALE: 1:10 WEIGHT:		SHEET 2 OF 2	