

CUSTOMER SIGNATURE: _____

DATE: _____

IN AN EFFORT TO ENSURE ACCURACY, PLEASE REVIEW YOUR DRAWING DIMENSIONS AND FITTING SIZES FOR POSSIBLE ERRORS AND OMISSIONS. CALL WITH ANY CORRECTIONS BEFORE SIGNING THIS DRAWING. ALL TANKS DESIGNED AND/OR BUILT, IN PART OR COMPLETE, BY ALUMITANK OR ANY OF ITS PEOPLE ARE CERTIFIED FOR USE ONLY WITH DISTILLATE, HYDRAULIC, OR WATER. ANY VARIATIONS OF USE OR MODIFICATIONS OF THE TANK ARE PROHIBITED. CUSTOMER SIGNATURE ON DOCUMENT/DRAWING INDICATES AGREEMENT BY SIGNER OR RECIPIENT OF TANK AND HOLDS ALUMITANK HARMLESS.

CUSTOMER NAME:

SIDE OF TRUCK:

SHOP #:

PARTS:

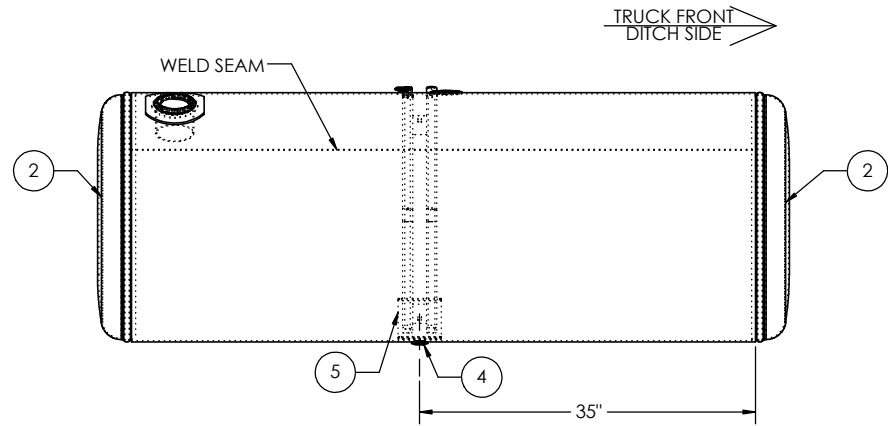
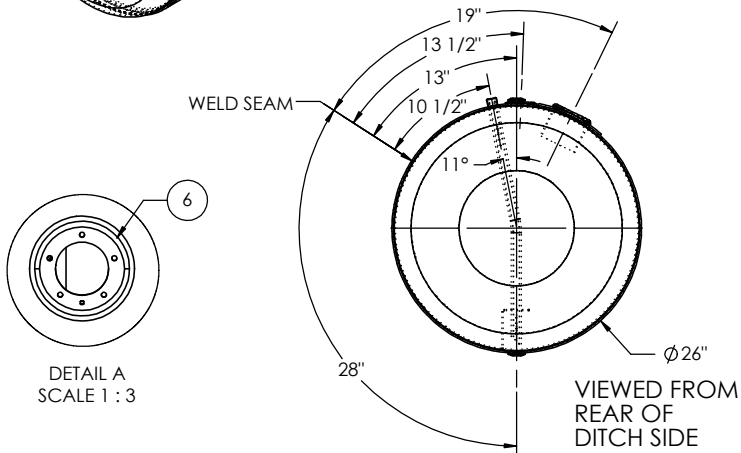
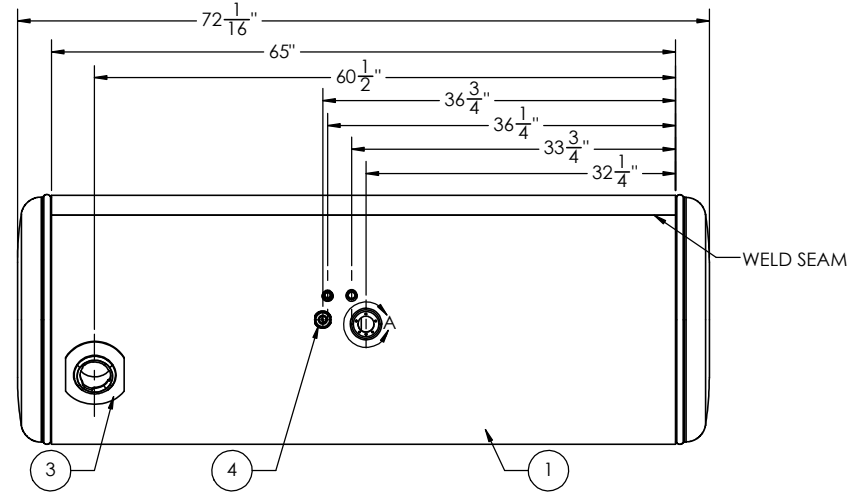
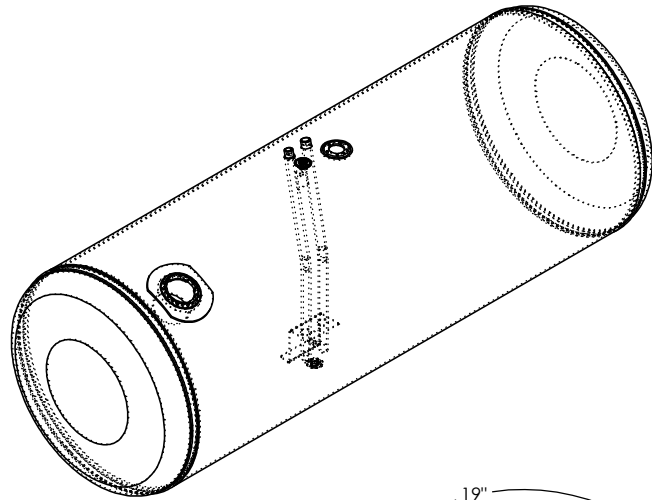
FINISH:

CAPACITY:

SERIAL #:

CHASSIS STYLE:

SHIP DATE:



ITEM NO.	PART NUMBER	DESCRIPTION	QTY.
1	BRL-11786-79959	1/8" TANK BARREL	1
2	ECP-4160013200	26" POLISHED ALUMINUM PETERBILT STYLE END CAP	2
3	FLN-110022300	POLISHED ALUMINUM PETERBILT FILL NECK	1
4	FLG-050230	1/2" NPTF POLISHED ALUMINUM FLANGE	2
5	DTA-311241630	26" POLISHED PETERBILT TUBE ASSEMBLY	1
6	BSE-00183210	CURVED 90 POLISHED ALUMINUM SENDER BASE	1

TITLE:		UNLESS OTHERWISE SPECIFIED:		NAME	DATE
SIZE C	REV	QC	INITIALS	DRAWN	
		PSI		CHECKED	
		DIMS		ENG APPR.	
		PARTS		MFG APPR.	
TAG		DATE		COMMENTS:	
PKG		MATERIAL: 5052 H32 ALUMINUM		DWG. NO. 224252	
		FINISH: SEE BOM		SCALE: 1:10 WEIGHT: SHEET 1 OF 1	
		DO NOT SCALE DRAWING			

AlumiTank
THE FULL TANK SOLUTIONS

11317 N. US HWY 14 HARVARD, IL 60033 800-652-6630 FAX 855-774-6918
815-943-6649 WWW.ALUMITANK.COM INFO@ALUMITANK.COM