

CUSTOMER SIGNATURE: _____

DATE: _____

IN AN EFFORT TO ENSURE ACCURACY, PLEASE REVIEW YOUR DRAWING DIMENSIONS AND FITTING SIZES FOR POSSIBLE ERRORS AND OMISSIONS. CALL WITH ANY CORRECTIONS BEFORE SIGNING THIS DRAWING. ALL TANKS DESIGNED AND/OR BUILT, IN PART OR COMPLETE, BY ALUMITANK OR ANY OF ITS PEOPLE ARE CERTIFIED FOR USE ONLY WITH DISTILLATE, HYDRAULIC, OR WATER. ANY VARIATIONS OF USE OR MODIFICATIONS OF THE TANK ARE PROHIBITED. CUSTOMER SIGNATURE ON DOCUMENT/DRAWING INDICATES AGREEMENT BY SIGNER OR RECIPIENT OF TANK AND HOLDS ALUMITANK HARMLESS.

CUSTOMER NAME:

SIDE OF TRUCK:

SHOP #:

PARTS:

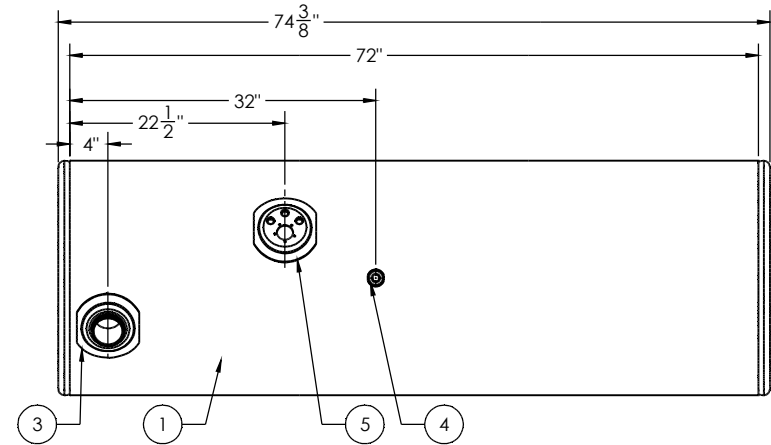
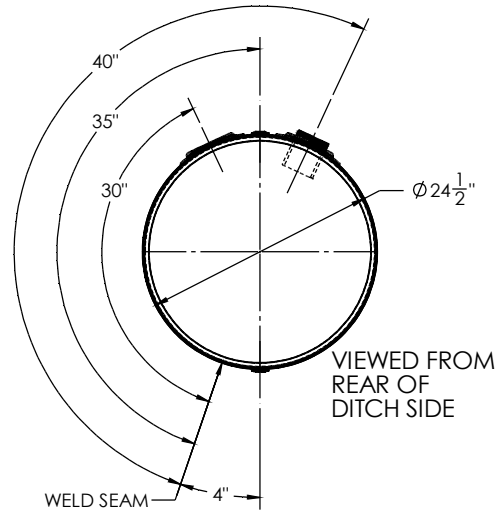
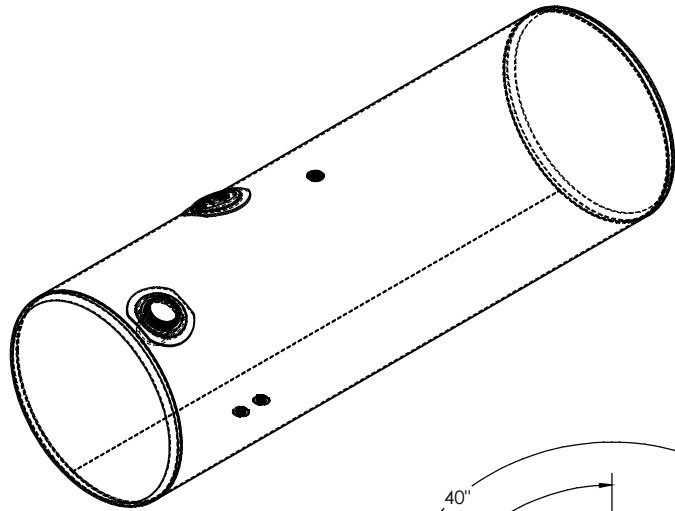
FINISH:

CAPACITY:

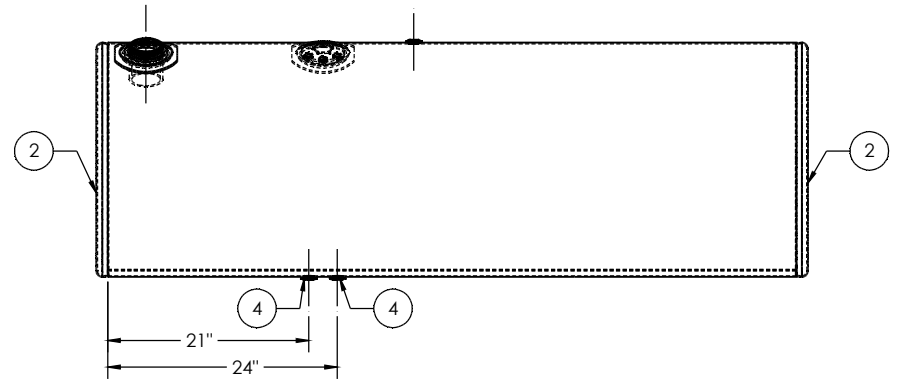
SERIAL #:

CHASSIS STYLE:

SHIP DATE:



TRUCK FRONT →
DITCH SIDE →



ITEM NO.	PART NUMBER	DESCRIPTION	QTY.
1	BRL-205594	1/8" TANK BARREL	1
2	ECP-3920013100	24 1/2" POLISHED ALUMINUM END CAP	2
3	FLN-801212300	POLISHED ALUMINUM KENWORTH FILL NECK	1
4	FLG-050230	1/2" NPTF POLISHED ALUMINUM FLANGE	3
5	ADP-832310	POLISHED ALUMINUM KENWORTH ADAPTER PLATE	1

TITLE:		UNLESS OTHERWISE SPECIFIED:		DRAWN		NAME		DATE	
SIZE	REV	QC	INITIALS	DIMENSIONS ARE IN INCHES		CHECKED			
		PSI		TOLERANCES:		ENG APPR.			
		DIMS		FRACTIONS: ±		ENG APPR.			
		PARTS		ANGULAR MATCH BEND ±		D.A.			
		TAG		TWO PLACE DECIMAL ±		COMMENTS:			
PKG		THREE PLACE DECIMAL ±		11317 N. US HWY 14		800-652-6630			
MATERIAL:		5052 H32 ALUMINUM		HARVARD, IL 60033		FAX 855-774-6918			
FINISH:		SEE BOM		815-943-6649		WWW.ALUMITANK.COM			
DO NOT SCALE DRAWING						INFO@ALUMITANK.COM			
				DWG. NO.		205594		SCALE: 1:10 WEIGHT: SHEET 1 OF 1	