

CUSTOMER SIGNATURE: _____

DATE: _____

IN AN EFFORT TO ENSURE ACCURACY, PLEASE REVIEW YOUR DRAWING DIMENSIONS AND FITTING SIZES FOR POSSIBLE ERRORS AND OMISSIONS. CALL WITH ANY CORRECTIONS BEFORE SIGNING THIS DRAWING. ALL TANKS DESIGNED AND/OR BUILT, IN PART OR COMPLETE, BY ALUMITANK OR ANY OF ITS PEOPLE ARE CERTIFIED FOR USE ONLY WITH DISTILLATE, HYDRAULIC, OR WATER. ANY VARIATIONS OF USE OR MODIFICATIONS OF THE TANK ARE PROHIBITED. CUSTOMER SIGNATURE ON DOCUMENT/DRAWING INDICATES AGREEMENT BY SIGNER OR RECIPIENT OF TANK AND HOLDS ALUMITANK HARMLESS.

CUSTOMER NAME:

SIDE OF TRUCK:

SHOP #:

PARTS:

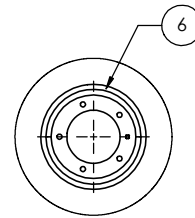
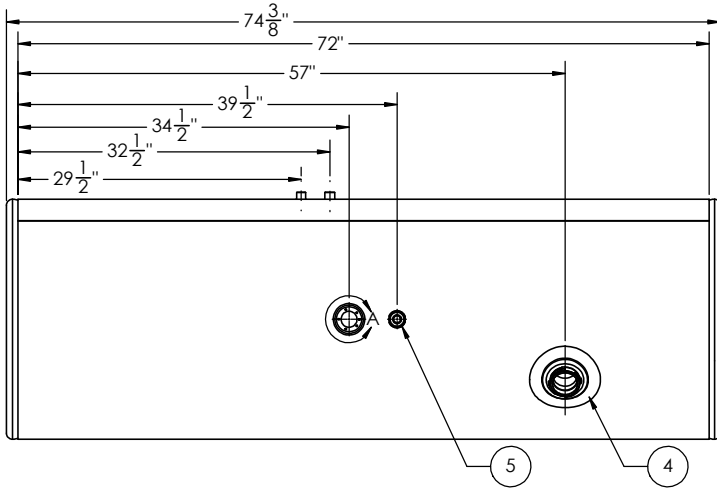
FINISH:

CAPACITY:

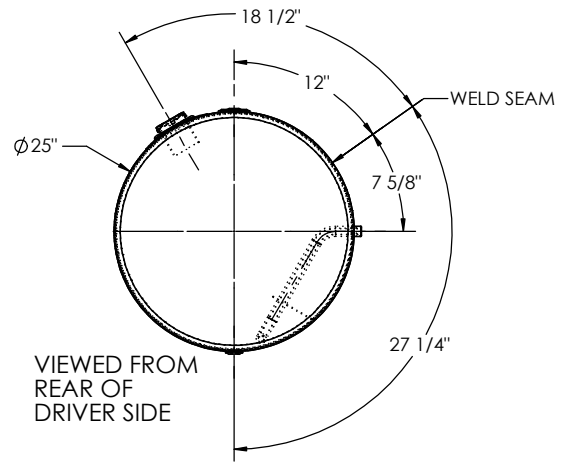
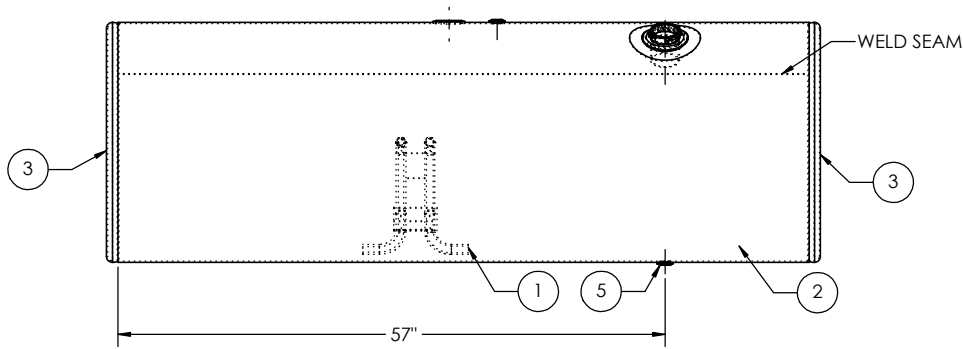
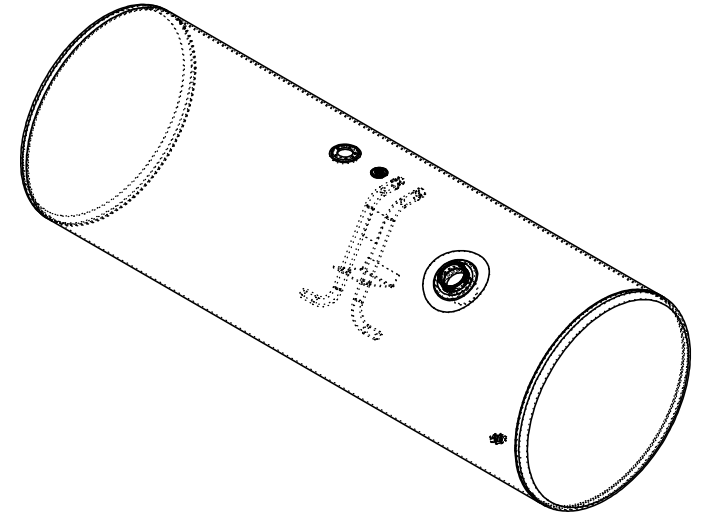
SERIAL #:

CHASSIS STYLE:

SHIP DATE:



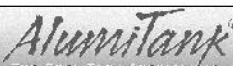
DETAIL A
SCALE 1 : 3



VIEWED FROM REAR OF DRIVER SIDE

| ITEM NO. | PART NUMBER | DESCRIPTION | QTY. |
|----------|-----------------|---|------|
| 1 | DTA-12240000 | 25" DRIVER FREIGHTLINER TUBE ASSEMBLY | 1 |
| 2 | BRL-11341-50194 | 1/8" TANK BARREL | 1 |
| 3 | ECP-4000012100 | 25" MILGRADE ALUMINUM END CAP | 2 |
| 4 | FLN-20022240 | MILGRADE ALUMINUM FREIGHTLINER CAM LOCK FILL NECK - ROUND | 1 |
| 5 | FLG-050220 | 1/2" NPTF MILGRADE ALUMINUM FLANGE | 2 |
| 6 | BSE-00182220 | CURVED MILGRADE ALUMINUM SENDER BASE | 1 |

| | | | | | |
|------------------|-----|-----------------------------|-------------------|-----------|------|
| TITLE: | | UNLESS OTHERWISE SPECIFIED: | | NAME | DATE |
| SIZE C | REV | QC | INITIALS | DRAWN | |
| | | PSI | | CHECKED | |
| | | DIMS | | ENG APPR. | |
| | | PARTS | | MFG APPR. | |
| TAG | | MATERIAL | 5052 H32 ALUMINUM | D.A. | |
| PKG | | FINISH | SEE BOM | COMMENTS: | |
| | | DO NOT SCALE DRAWING | | | |



11317 N. US HWY 14 HARVARD, IL 60033 815-943-6649

800-652-6630 FAX 855-774-6918 WWW.ALUMITANK.COM INFO@ALUMITANK.COM

DWG. NO. 195508

SCALE: 1:10 WEIGHT: SHEET 1 OF 1