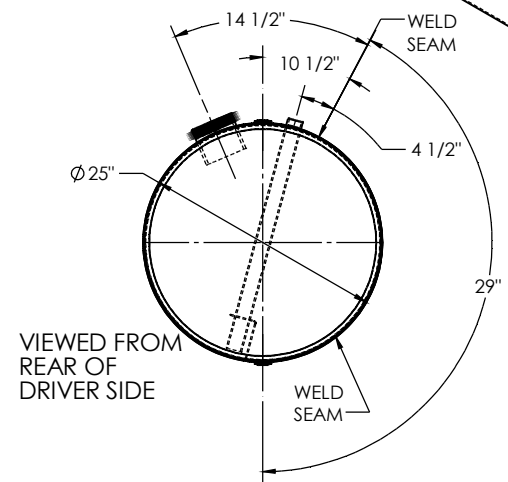
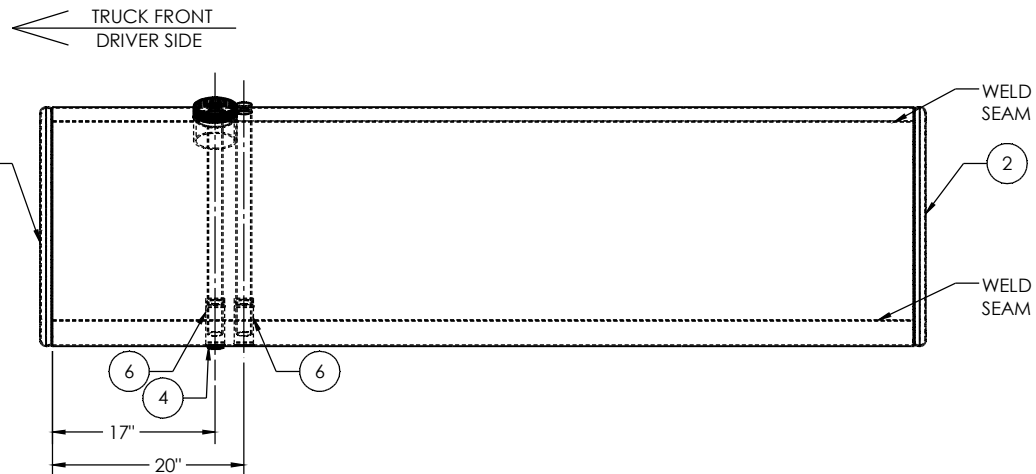
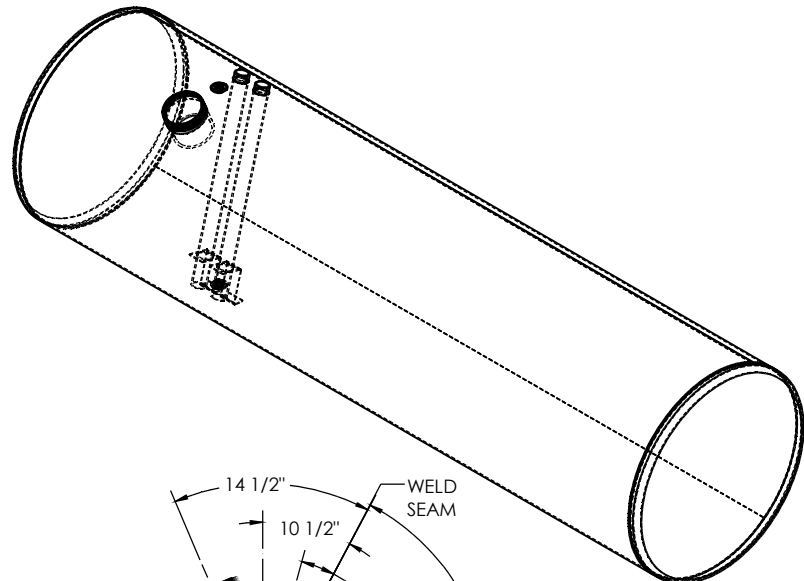
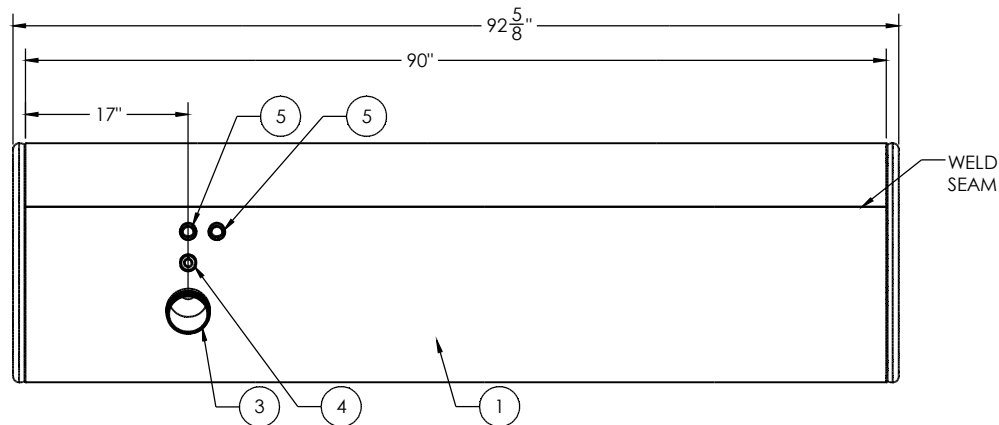


CUSTOMER SIGNATURE: _____

DATE: _____

IN AN EFFORT TO ENSURE ACCURACY, PLEASE REVIEW YOUR DRAWING DIMENSIONS AND FITTING SIZES FOR POSSIBLE ERRORS AND OMISSIONS. CALL WITH ANY CORRECTIONS BEFORE SIGNING THIS DRAWING. ALL TANKS DESIGNED AND/OR BUILT, IN PART OR COMPLETE, BY ALUMITANK OR ANY OF ITS PEOPLE ARE CERTIFIED FOR USE ONLY WITH DISTILLATE, HYDRAULIC, OR WATER. ANY VARIATIONS OF USE OR MODIFICATIONS OF THE TANK ARE PROHIBITED. CUSTOMER SIGNATURE ON DOCUMENT/DRAWING INDICATES AGREEMENT BY SIGNER OR RECIPIENT OF TANK AND HOLDS ALUMITANK HARMLESS.

CUSTOMER NAME:	SIDE OF TRUCK:	SHOP #:	PARTS:
FINISH:	CAPACITY:	SERIAL #:	
CHASSIS STYLE:		SHIP DATE:	



ITEM NO.	PART NUMBER	DESCRIPTION	QTY.
1	BRL-143097	1/8" TANK BARREL	1
2	ECP-4000013100	25" POLISHED ALUMINUM END CAP	2
3	FLN-0641412310	4" LONG - 4" NPSM - 8 TPI POLISHED ALUMINUM FILL NECK	1
4	FLG-050230	1/2" NPTF POLISHED ALUMINUM FLANGE	2
5	TBS-703200	1" NPTF TUBE	2
6	STR-001	STABILIZER FOR TUBE	2

TITLE:		UNLESS OTHERWISE SPECIFIED:		DRAWN		NAME		DATE	
SIZE	REV	QC	INITIALS	DIMENSIONS ARE IN INCHES	CHECKED				
		PSI		TOLERANCES	ENG APPR.				
		DIMS		ANGULAR MATCH BEND	MEG APPR.				
		PARTS		TWO PLACE DECIMAL	D.A.				
		TAG		THREE PLACE DECIMAL	COMMENTS:				
		PKG		INTERPRET GEOMETRIC TOLERANCING PER:					
PROPRIETARY AND CONFIDENTIAL THE INFORMATION CONTAINED IN THIS DRAWING IS THE SOLE PROPERTY OF ALUMITANK. ANY REPRODUCTION IN PART OR AS A WHOLE WITHOUT THE WRITTEN PERMISSION OF ALUMITANK IS PROHIBITED.				MATERIAL: 5052 H32 ALUMINUM FINISH: SEE BOM DO NOT SCALE DRAWING		THE FUEL TANK SPECIALISTS 11317 N. US HWY 14 HARVARD, IL 60033 815-943-6649 800-652-6630 FAX 855-774-6918 WWW.ALUMITANK.COM INFO@ALUMITANK.COM			
				DWG. NO. 143097		SCALE: 1:10		WEIGHT: SHEET 1 OF 1	