

CUSTOMER SIGNATURE: \_\_\_\_\_

DATE: \_\_\_\_\_

IN AN EFFORT TO ENSURE ACCURACY, PLEASE REVIEW YOUR DRAWING DIMENSIONS AND FITTING SIZES FOR POSSIBLE ERRORS AND OMISSIONS. CALL WITH ANY CORRECTIONS BEFORE SIGNING THIS DRAWING. ALL TANKS DESIGNED AND/OR BUILT, IN PART OR COMPLETE, BY ALUMITANK OR ANY OF ITS PEOPLE ARE CERTIFIED FOR USE ONLY WITH DISTILLATE, HYDRAULIC, OR WATER. ANY VARIATIONS OF USE OR MODIFICATIONS OF THE TANK ARE PROHIBITED. CUSTOMER SIGNATURE ON DOCUMENT/DRAWING INDICATES AGREEMENT BY SIGNER OR RECIPIENT OF TANK AND HOLDS ALUMITANK HARMLESS.

CUSTOMER NAME:

SIDE OF TRUCK:

SHOP #:

PARTS:

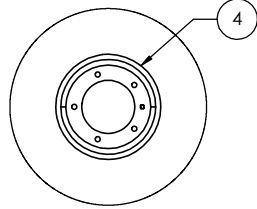
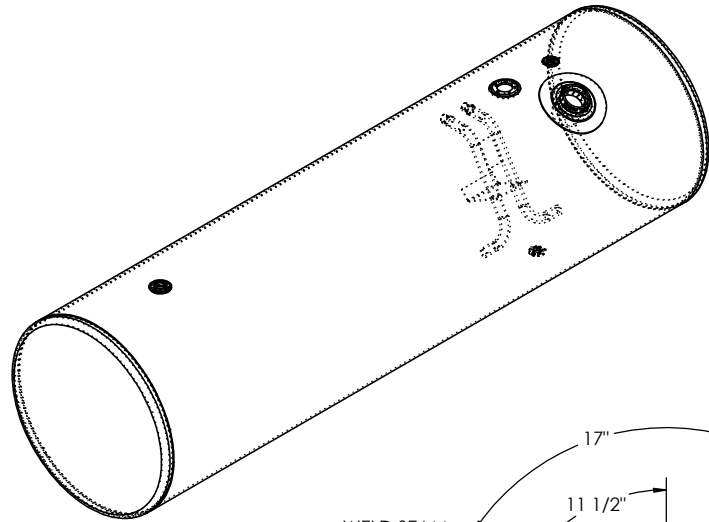
FINISH:

CAPACITY:

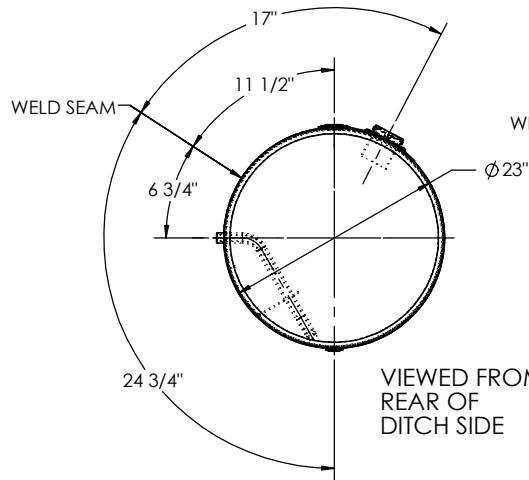
SERIAL #:

CHASSIS STYLE:

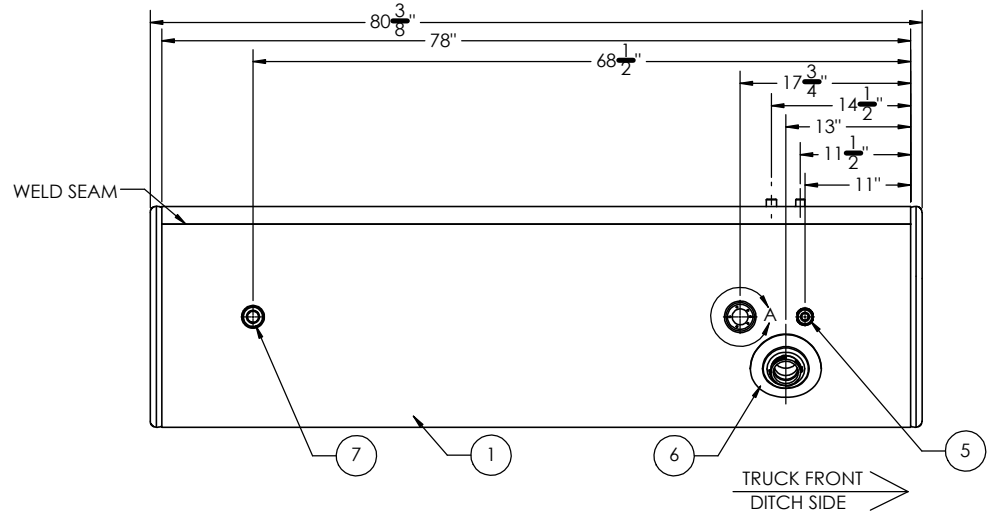
SHIP DATE:



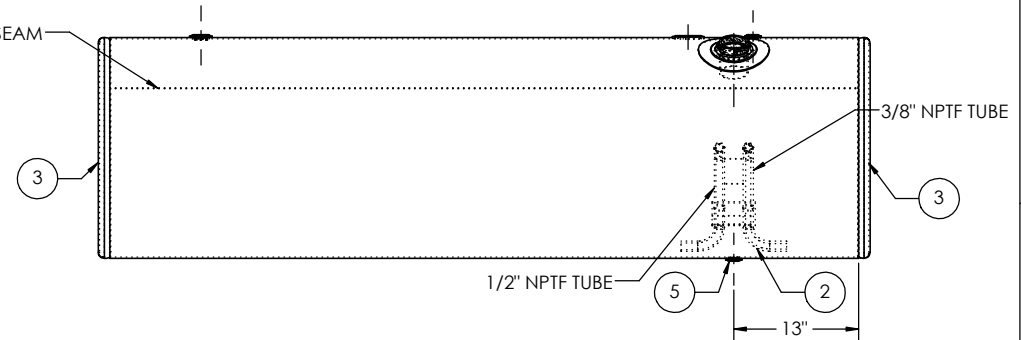
DETAIL A  
SCALE 1 : 3



VIEWED FROM REAR OF DITCH SIDE



TRUCK FRONT  
DITCH SIDE



ITEM NO.	PART NUMBER	DESCRIPTION	QTY.
1	BRL-142990	1/8" TANK BARREL	1
2	DTA-22236800	23" DITCH FREIGHTLINER TUBE ASSEMBLY	1
3	ECP-3680012100	23" MILGRADE ALUMINUM END CAP	2
4	BSE-00182220	CURVED MILGRADE ALUMINUM SENDER BASE	1
5	FLG-050220	1/2" NPTF MILGRADE ALUMINUM FLANGE	2
6	FLN-20022240	MILGRADE ALUMINUM FREIGHTLINER CAM LOCK FILL NECK - ROUND	1
7	FLG-070220	1" NPTF MILGRADE ALUMINUM FLANGE	1

TITLE:		UNLESS OTHERWISE SPECIFIED:		NAME	DATE
SIZE <b>C</b>	REV	QC	INITIALS	DRAWN	
		PSI		CHECKED	
		DIMS		ENG APPR.	
		PARTS		MFG APPR.	
<small>PROPRIETARY AND CONFIDENTIAL</small> <small>THE INFORMATION CONTAINED IN THIS DRAWING IS THE SOLE PROPERTY OF ALUMITANK. ANY REPRODUCTION IN PART OR AS A WHOLE WITHOUT THE WRITTEN PERMISSION OF ALUMITANK IS PROHIBITED.</small>		<small>DIMENSIONS ARE IN INCHES</small> <small>TOLERANCES:</small> <small>FRACTIONS: ±</small> <small>ANGULAR: MACH ± BEND ±</small> <small>TWO PLACE DECIMAL ±</small> <small>THREE PLACE DECIMAL ±</small>		<small>COMMENTS:</small> <small>DRAWN:</small> <small>CHECKED:</small> <small>ENG APPR.:</small> <small>MFG APPR.:</small> <small>D.A.:</small>	
<small>MATERIAL:</small> 5052 H32 ALUMINUM		<small>FINISH:</small> SEE BOM		11317 N. US HWY 14 HARVARD, IL 60033 815-943-6649	
<small>DO NOT SCALE DRAWING</small>		800-652-6630 FAX 855-774-6918 WWW.ALUMITANK.COM INFO@ALUMITANK.COM		DWG. NO. <b>142990</b>	
				SCALE: 1:10 WEIGHT: SHEET 1 OF 1	

