

CUSTOMER SIGNATURE: \_\_\_\_\_

DATE: \_\_\_\_\_

IN AN EFFORT TO ENSURE ACCURACY, PLEASE REVIEW YOUR DRAWING DIMENSIONS AND FITTING SIZES FOR POSSIBLE ERRORS AND OMISSIONS. CALL WITH ANY CORRECTIONS BEFORE SIGNING THIS DRAWING. ALL TANKS DESIGNED AND/OR BUILT, IN PART OR COMPLETE, BY ALUMITANK OR ANY OF ITS PEOPLE ARE CERTIFIED FOR USE ONLY WITH DISTILLATE, HYDRAULIC, OR WATER. ANY VARIATIONS OF USE OR MODIFICATIONS OF THE TANK ARE PROHIBITED. CUSTOMER SIGNATURE ON DOCUMENT/DRAWING INDICATES AGREEMENT BY SIGNER OR RECIPIENT OF TANK AND HOLDS ALUMITANK HARMLESS.

CUSTOMER NAME: \_\_\_\_\_

SIDE OF TRUCK: \_\_\_\_\_

SHOP #: \_\_\_\_\_

PARTS: \_\_\_\_\_

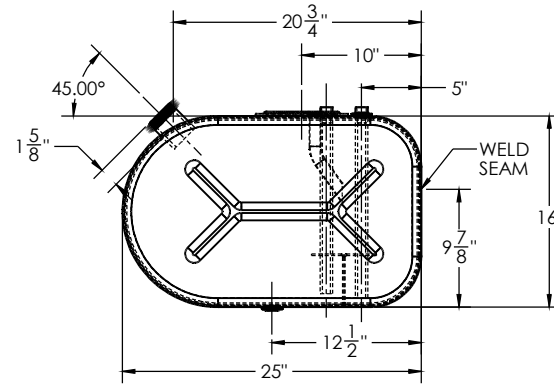
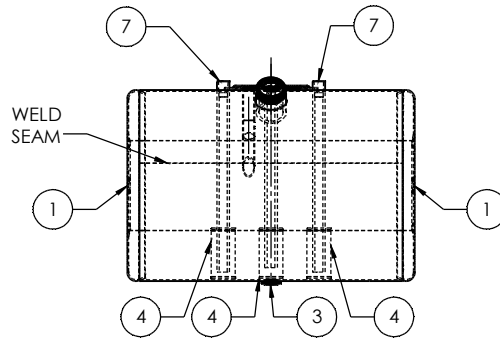
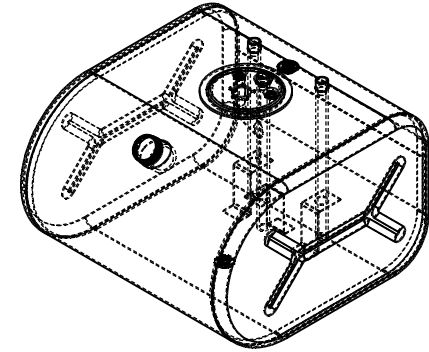
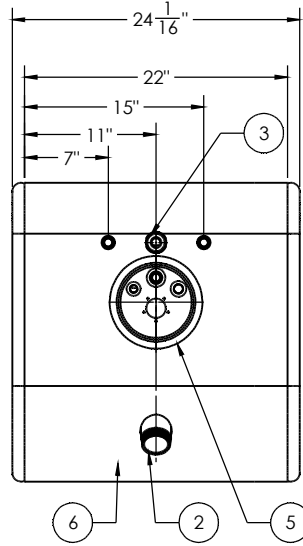
FINISH: \_\_\_\_\_

CAPACITY: \_\_\_\_\_

SERIAL #: \_\_\_\_\_

CHASSIS STYLE: \_\_\_\_\_

SHIP DATE: \_\_\_\_\_



VIEWED FROM RIGHT END OF TANK

ITEM NO.	PART NUMBER	DESCRIPTION	AT-IN-3001/QTY.
1	ECP-025640012400	16" X 25" MILGRADE ALUMINUM "D" SHAPED END CAP	2
2	FLN-0481012230	3" LONG - 2" NPSM - 11.5 TPI MILGRADE ALUMINUM FILL NECK	1
3	FLG-050220	1/2" NPTF MILGRADE ALUMINUM FLANGE	2
4	STR-001 (FLAT)	SMALL TUBE STABILZER	3
5	ADP-51222256	16" MILGRADE ALUMINUM DRIVER SIDE INTERNATIONAL ADAPTER PLATE	1
6	BRL-135638	1/8" TANK BARREL	1
7	TBS-503200	1/2" NPTF TUBE	2

TITLE:		UNLESS OTHERWISE SPECIFIED:		DRAWN		NAME		DATE	
SIZE <b>C</b>	REV	QC	INITIALS	DIMENSIONS ARE IN INCHES		CHECKED		 THE FUEL TANK SPECIALISTS 11317 N. US HWY 14 HARVARD, IL 60033 815-943-6649 800-652-6630 FAX 855-774-6918 WWW.ALUMITANK.COM INFO@ALUMITANK.COM	
		PSI		FRACTIONAL ±		ENG APPR.			
		DIMS		ANGULAR: MATCH BEND ±		MEG APPR.			
		PARTS		TWO PLACE DECIMAL ±		D.A.			
	TAG			THREE PLACE DECIMAL ±		COMMENTS:			
	PKG			INTERPRET GEOMETRIC TOLERANCING PER:					
PROPRIETARY AND CONFIDENTIAL THE INFORMATION CONTAINED IN THIS DRAWING IS THE SOLE PROPERTY OF ALUMITANK. ANY REPRODUCTION IN PART OR AS A WHOLE WITHOUT THE WRITTEN PERMISSION OF ALUMITANK IS PROHIBITED.				MATERIAL: 5052 H32 ALUMINUM				DWG. NO. <b>135638</b>	
				FINISH: SEE BOM				SCALE: 1:8 WEIGHT: SHEET 1 OF 1	
				DO NOT SCALE DRAWING					