

CUSTOMER SIGNATURE: _____

DATE: _____

IN AN EFFORT TO ENSURE ACCURACY, PLEASE REVIEW YOUR DRAWING DIMENSIONS AND FITTING SIZES FOR POSSIBLE ERRORS AND OMISSIONS. CALL WITH ANY CORRECTIONS BEFORE SIGNING THIS DRAWING. ALL TANKS DESIGNED AND/OR BUILT, IN PART OR COMPLETE, BY ALUMITANK OR ANY OF ITS PEOPLE ARE CERTIFIED FOR USE ONLY WITH DISTILLATE, HYDRAULIC, OR WATER. ANY VARIATIONS OF USE OR MODIFICATIONS OF THE TANK ARE PROHIBITED. CUSTOMER SIGNATURE ON DOCUMENT/DRAWING INDICATES AGREEMENT BY SIGNER OR RECIPIENT OF TANK AND HOLDS ALUMITANK HARMLESS.

CUSTOMER NAME:

SIDE OF TRUCK:

SHOP #:

PARTS:

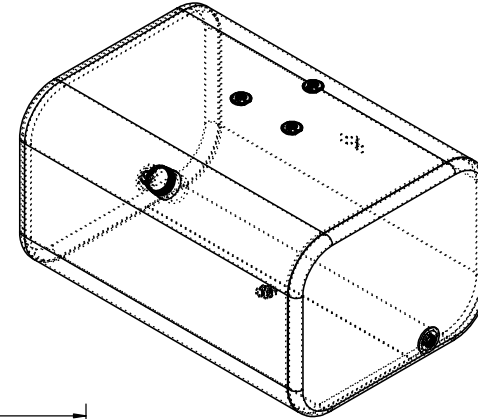
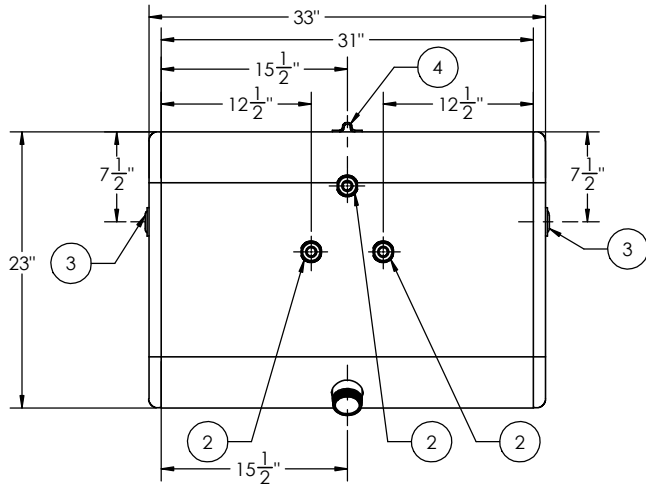
FINISH:

CAPACITY:

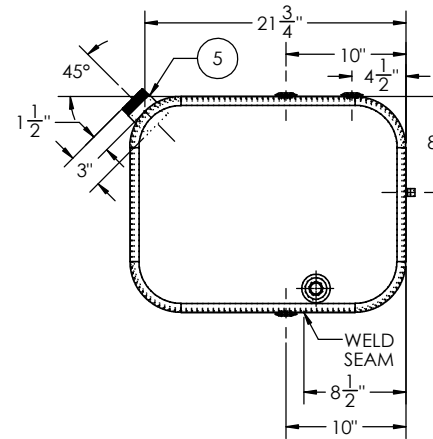
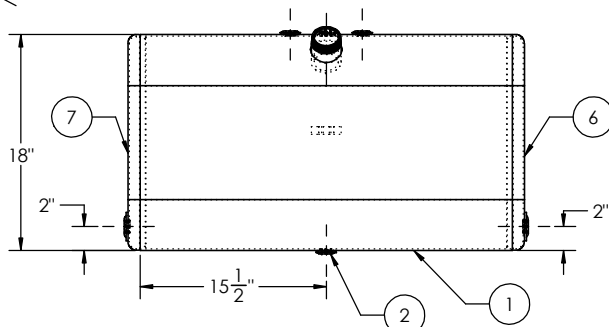
SERIAL #:

CHASSIS STYLE:

SHIP DATE:



TRUCK FRONT
DRIVER SIDE



VIEWED FROM REAR
OF DRIVER SIDE

ITEM NO.	PART NUMBER	DESCRIPTION	QTY.
1	BRL-AT-KW-2001	1/8" TANK BARREL	1
2	FLG-050220	1/2" NPTF MILGRADE ALUMINUM FLANGE	4
3	FLG-060220	3/4" NPTF MILGRADE ALUMINUM FLANGE	2
4	MSC-001	MILGRADE ALUMINUM HOSE CLIP	1
5	FLN-0481012230	3" LONG - 2" NPSM - 11.5 TPI MILGRADE ALUMINUM FILL NECK	1
6	ECP-1823-0750-RIGHT-7.5	18" X 23" MILGRADE ALUMINUM RECTANGULAR END CAP WITH 3/4" FLANGE	1
7	ECP-1823-0750-LEFT-7.5	18" X 23" MILGRADE ALUMINUM END CAP WITH 3/4" FLANGE	1

TITLE:		UNLESS OTHERWISE SPECIFIED:		NAME	DATE
SIZE C	REV	QC	INITIALS	DRAWN	
		PSI		CHECKED	
		DIMS		ENG APPR.	
		PARTS		MFG APPR.	
TAG		MATERIAL		G.A.	
PKG		5052 H32 ALUMINUM		COMMENTS:	
		FINISH			
		DO NOT SCALE DRAWING			

AlumiTank[®]
THE FUEL TANK SPECIALISTS

11317 N. US HWY 14 HARVARD, IL 60033 815-943-6649

800-652-6630 FAX 855-774-6918 WWW.ALUMITANK.COM INFO@ALUMITANK.COM

DWG. NO. **AT-KW-2001**

SCALE: 1:8 WEIGHT: SHEET 1 OF 1