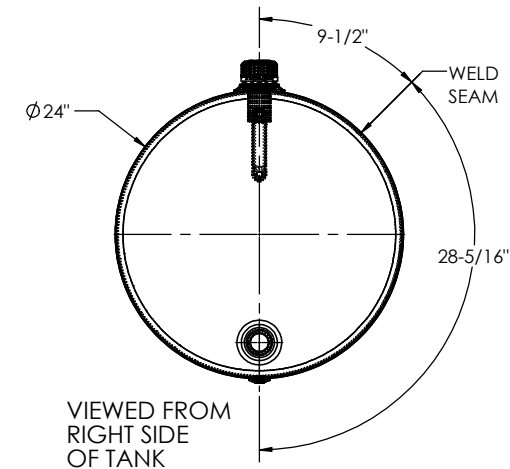
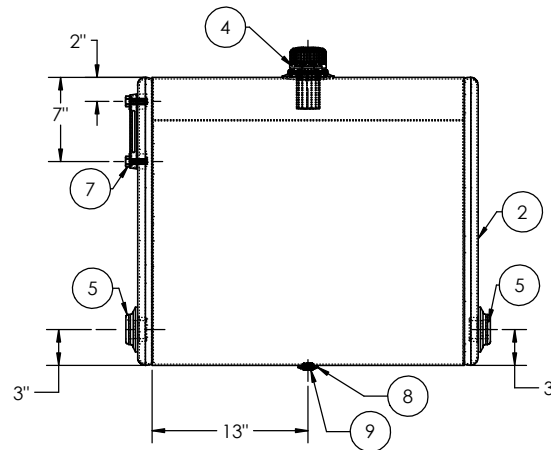
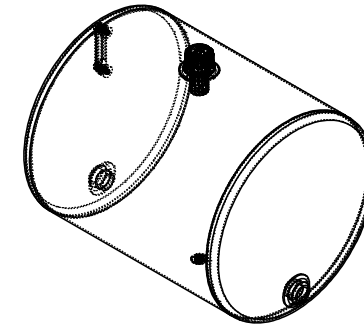
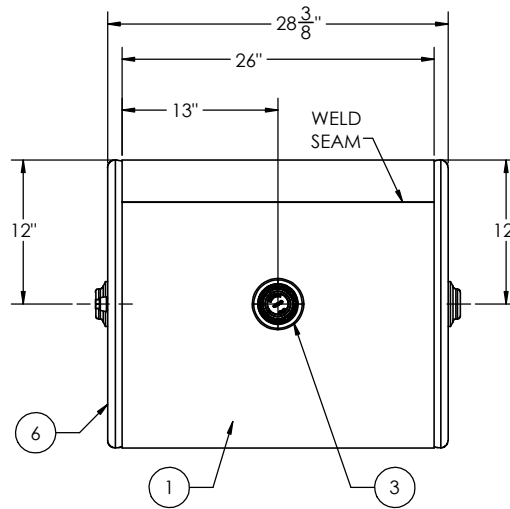
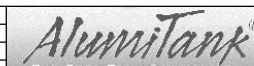


GALLONS	N/A	N/A	53	53
LITERS	N/A	N/A	200	200
	TOTAL CAPACITY	USEABLE CAPACITY	TOTAL CAPACITY	USEABLE CAPACITY
	DIESEL FUEL		BIO-DIESEL/ HYDRAULIC/WATER	



ITEM NO.	PART NUMBER	DESCRIPTION	QTY.
1	BRL-AT-HY-1023	1/8" TANK BARREL	1
2	ECP-38400121029	24" MILGRADE ALUMINUM END CAP WITH 1-1/4" HD FLANGE	1
3	BSE-00182221	CURVED MILGRADE ALUMINUM HFVC BASE	1
4	VNT-HFVC	HYD VENT/FILL COMBO	1
5	FLG-180222	1 1/4" NPTF HEAVY DUTY MILGRADE ALUMINUM FLANGE	2
6	00033269	24" MILGRADE ALUMINUM END CAP ASSEMBLY WITH 1-1/4" HD FLANGE AND 6" SIGHT GLASS	1
7	MSC-017	6" SIGHT GAUGE	1
8	FLG-050220	1/2" NPTF MILGRADE ALUMINUM FLANGE	1
9	94135	1/2" SOCKET PIPE PLUG 3/4" TAPER NPTF ZINC	1

TITLE: 24" D x 26" L		UNLESS OTHERWISE SPECIFIED: DIMENSIONS ARE IN INCHES TOLERANCES: FRACTIONAL: ± ANGULAR: MACH ± BEND ± TWO PLACE DECIMAL ± THREE PLACE DECIMAL ±		NAME	DATE
SIZE <b>C</b>	REV	QC	INITIALS	DRAWN	
		PSI		CHECKED	
		DIMS		ENG APPR.	
		PARTS		MFG APPR.	
	TAG			Q.A.	
	PKG			COMMENTS:	
<small>PROPRIETARY AND CONFIDENTIAL</small> <small>THE INFORMATION CONTAINED IN THIS DRAWING IS THE SOLE PROPERTY OF ALUMITANK. ANY REPRODUCTION IN PART OR AS A WHOLE WITHOUT THE WRITTEN PERMISSION OF ALUMITANK IS PROHIBITED.</small>		MATERIAL: 5052 H32 ALUMINUM	FINISH: SEE BOM	 <small>11317 N. US HWY 14 HARVARD, IL 60033 815-943-6649</small>	
		DO NOT SCALE DRAWING	<small>800-652-6630 FAX 855-774-6918 WWW.ALUMITANK.COM INFO@ALUMITANK.COM</small> DWG. NO. <b>AT-HY-1023</b> REV. <b>A</b> SCALE: 1:8 WEIGHT: 39.03 SHEET 2 OF 2		