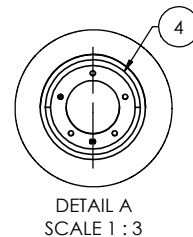
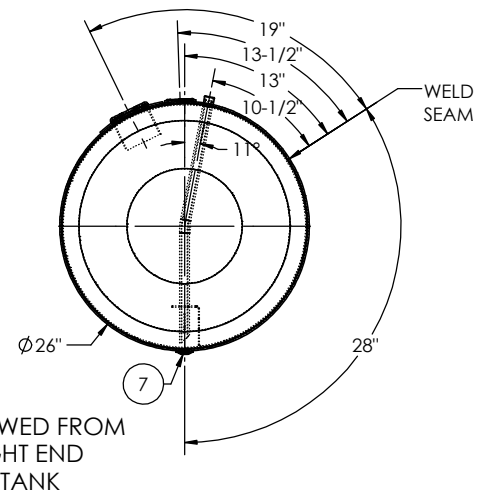
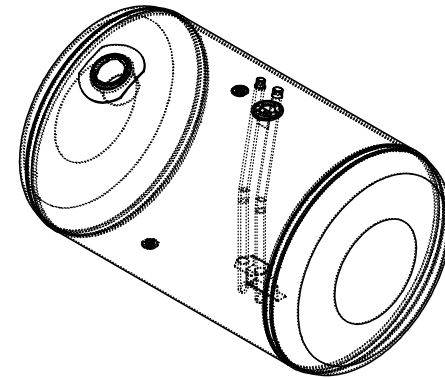
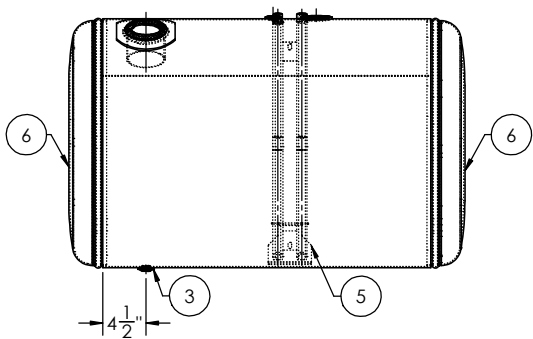
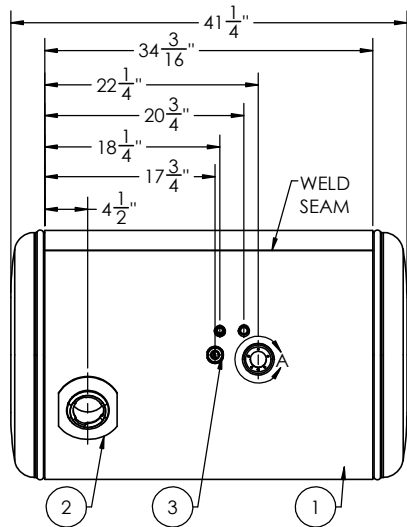


GALLONS	90	86	N/A	N/A
LITERS	342	325	N/A	N/A
	TOTAL CAPACITY	USEABLE CAPACITY	TOTAL CAPACITY	USEABLE CAPACITY
	DIESEL FUEL		BIO-DIESEL/ HYDRAULIC/WATER	



ITEM NO.	PART NUMBER	DESCRIPTION	QTY.
1	00031888	1/8" TANK BARREL	1
2	FLN-110022200	MILGRADE ALUMINUM PETERBILT FILL NECK	1
3	FLG-050220	1/2" NPTF MILGRADE ALUMINUM FLANGE	2
4	BSE-00182210	CURVED 90 MILGRADE ALUMINUM SENDER BASE	1
5	DTA-311241620	26" MILGRADE PETERBILT TUBE ASSEMBLY	1
6	ECP-4160012200	26" MILGRADE ALUMINUM PETERBILT STYLE END CAP	2
7	94135	1/2" SOCKET PIPE PLUG 3/4" TAPER NPTF ZINC	1

TITLE: 26" D x 34.1875" L		UNLESS OTHERWISE SPECIFIED:		NAME	DATE
SIZE <b>C</b>	REV	QC	INITIALS	DRAWN	
		PSI		CHECKED	
		DIMS		ENG APPR.	
		PARTS		MFG APPR.	
TAG		Q.A.		COMMENTS:	
PKG		MATERIAL: 5052 H32 ALUMINUM		11317 N. US HWY 14 HARVARD, IL 60033 815-943-6649	
		FINISH: SEE BOM		800-652-6630 FAX 855-774-6918 WWW.ALUMITANK.COM INFO@ALUMITANK.COM	
		DO NOT SCALE DRAWING		DWG. NO. 00031887 REV. A	
				SCALE: 1:10   WEIGHT: 55.35   SHEET 2 OF 2	

