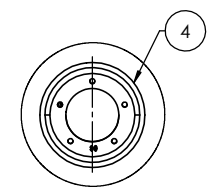
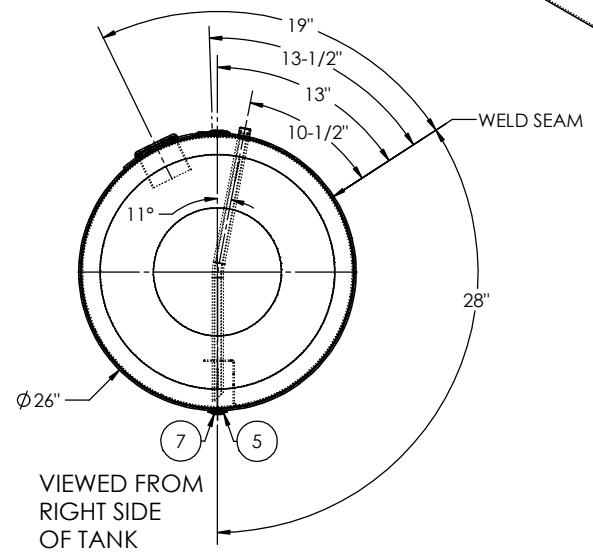
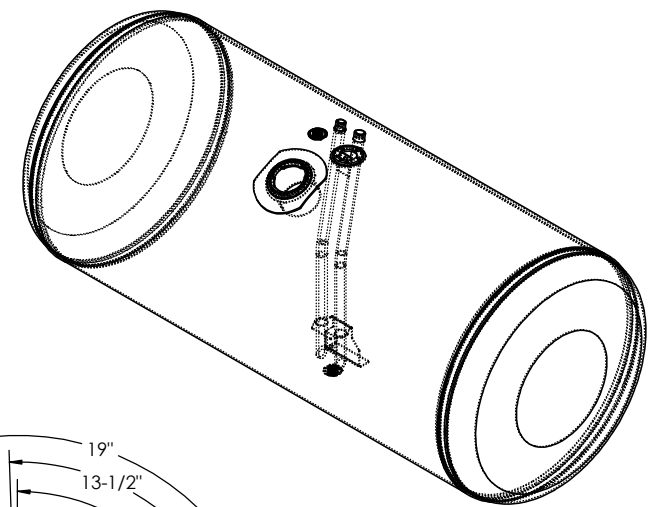
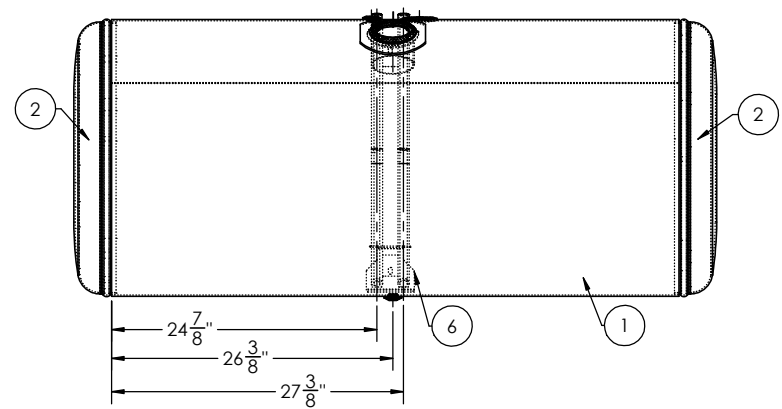
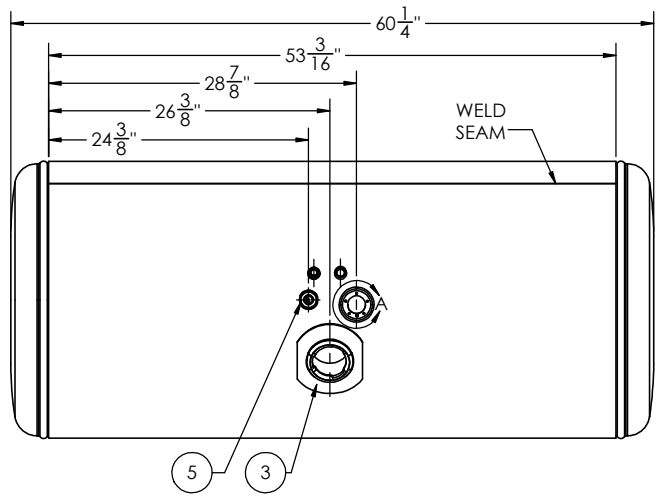


GALLONS	133	126	N/A	N/A
LITERS	503	478	N/A	N/A
	TOTAL CAPACITY	USEABLE CAPACITY	TOTAL CAPACITY	USEABLE CAPACITY
	DIESEL FUEL		BIO-DIESEL/ HYDRAULIC/WATER	



DETAIL A
SCALE 1 : 3

ITEM NO.	PART NUMBER	DESCRIPTION	QTY.
1	00030691	1/8" TANK BARREL	1
2	ECP-4160013200	26" POLISHED ALUMINUM PETERBILT STYLE END CAP	2
3	FLN-110022300	POLISHED ALUMINUM PETERBILT FILL NECK	1
4	BSE-00183210	CURVED 90 POLISHED ALUMINUM SENDER BASE	1
5	FLG-050230	1/2" NPTF POLISHED ALUMINUM FLANGE	2
6	DTA-311241630	26" POLISHED PETERBILT TUBE ASSEMBLY	1
7	94135	1/2" SOCKET PIPE PLUG 3/4" TAPER NPTF ZINC	1

TITLE: 26" D x 53.1875" L		UNLESS OTHERWISE SPECIFIED:		NAME	DATE
SIZE C	REV	QC	INITIALS	DRAWN	
		PSI		CHECKED	
		DIMS		ENG APPR.	
		PARTS		MFG APPR.	
TAG		Q.A.		COMMENTS:	
PKG		MATERIAL: 5052 H32 ALUMINUM		11317 N. US HWY 14 800-652-6630	
		FINISH: SEE BOM		HARVARD, IL 60033 FAX 855-774-6918	
		DO NOT SCALE DRAWING		815-943-6649 WWW.ALUMITANK.COM INFO@ALUMITANK.COM	
				DWG. NO. 00030690 REV. A	
				SCALE: 1:9 WEIGHT: 73.99 SHEET 2 OF 2	

