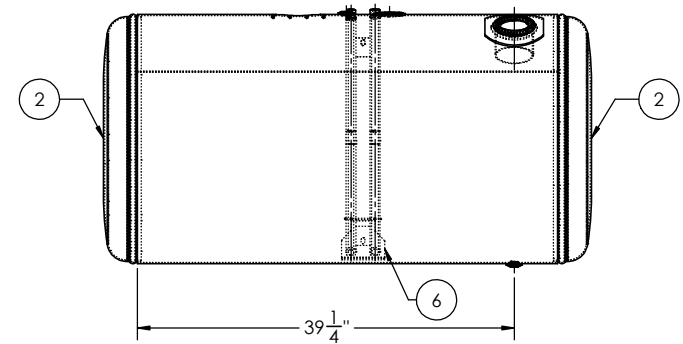
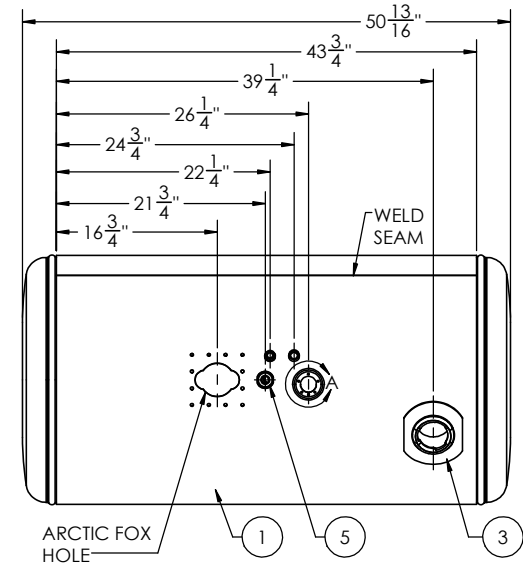
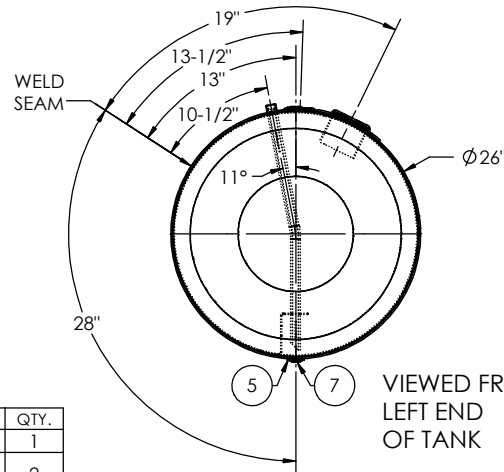
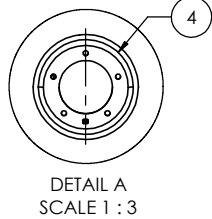
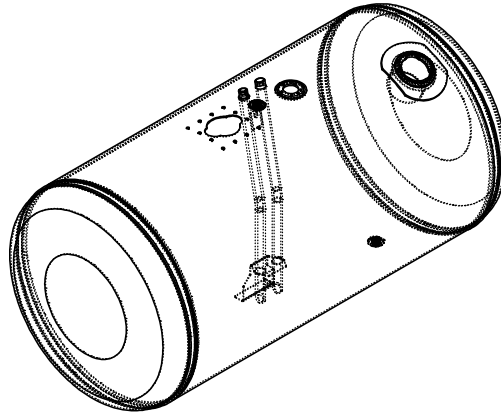


GALLONS	112	106	N/A	N/A
LITERS	423	402	N/A	N/A
	TOTAL CAPACITY	USEABLE CAPACITY	TOTAL CAPACITY	USEABLE CAPACITY
	DIESEL FUEL		BIO-DIESEL/ HYDRAULIC/WATER	



ITEM NO.	PART NUMBER	DESCRIPTION	QTY.
1	00030499	1/8" TANK BARREL	1
2	ECP-4160012200	26" MILGRADE ALUMINUM PETERBILT STYLE END CAP	2
3	FLN-110022200	MILGRADE ALUMINUM PETERBILT FILL NECK	1
4	BSE-00182210	CURVED 90 MILGRADE ALUMINUM SENDER BASE	1
5	FLG-050220	1/2" NPTF MILGRADE ALUMINUM FLANGE	2
6	DTA-311241620	26" MILGRADE PETERBILT TUBE ASSEMBLY	1
7	94135	1/2" SOCKET PIPE PLUG 3/4" TAPER NPTF ZINC	1

TITLE: 26" D X 43.75" L		UNLESS OTHERWISE SPECIFIED:		NAME	DATE
SIZE <b>C</b>	REV	QC	INITIALS	DRAWN	
		PSI		CHECKED	
DIMENSIONS ARE IN INCHES		TOLERANCES:		ENG APPR.	
FRACTIONS: ±		ANGULAR: MACH ± BEND ±		MFG APPR.	
TWO PLACE DECIMAL ±		THREE PLACE DECIMAL ±		G.A.	
INTERPRET GEOMETRIC TOLERANCING PER:		MATERIAL:		COMMENTS:	
5052 H32 ALUMINUM		FINISH:		SEE BOM	
DO NOT SCALE DRAWING					

11317 N. US HWY 14 HARVARD, IL 60033 815-943-6649

800-652-6630 FAX 855-774-6918 WWW.ALUMITANK.COM INFO@ALUMITANK.COM

DWG. NO. 00030498 REV. A

SCALE: 1:10 | WEIGHT: 64.58 | SHEET 2 OF 2