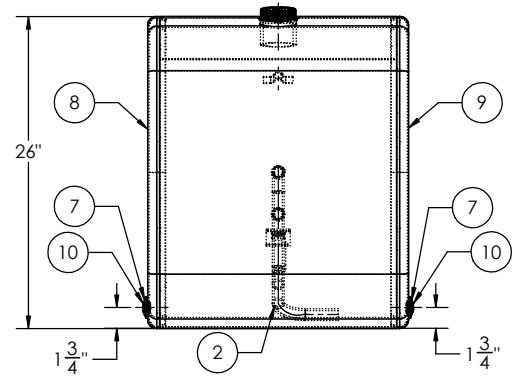
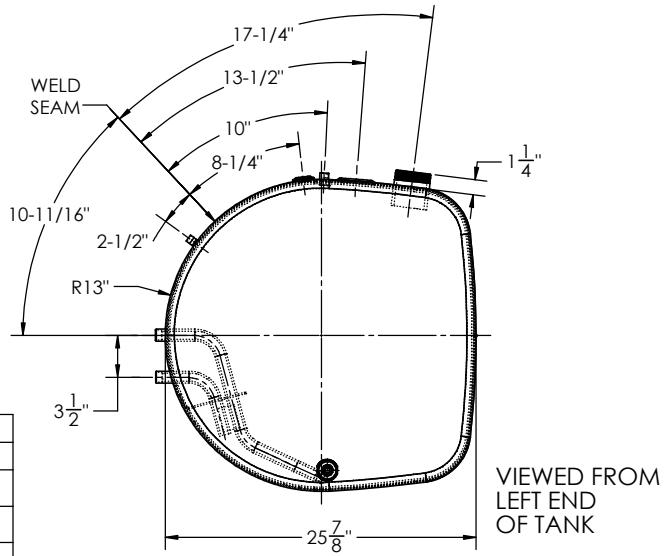
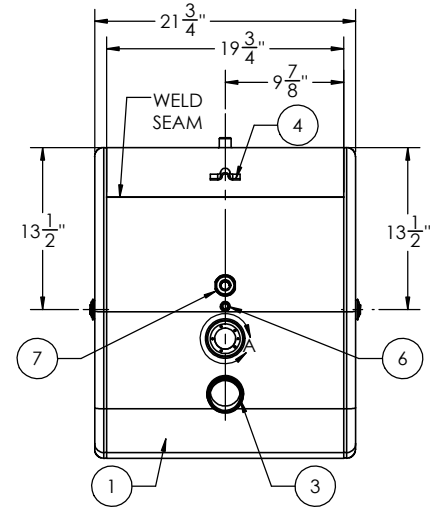
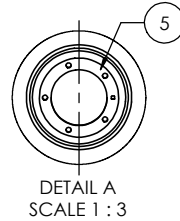
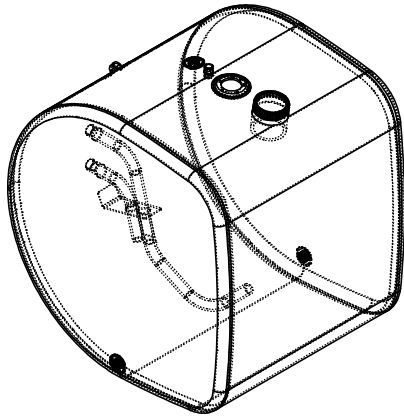


GALLONS	52	50	N/A	N/A
LITERS	198	189	N/A	N/A
	TOTAL CAPACITY	USEABLE CAPACITY	TOTAL CAPACITY	USEABLE CAPACITY
	DIESEL FUEL		BIO-DIESEL/ HYDRAULIC/WATER	



ITEM NO.	PART NUMBER	DESCRIPTION	QTY.
1	BRL-AT-VO-3001	1/8" TANK BARREL	1
2	DTA-213241600	26" Right Volvo Style Tube Assembly	1
3	FLN-1348111200	3" LONG 3" UN MILGRADE ALUMINUM VOLVO FILL NECK	1
4	MSC-001	MILGRADE ALUMINUM HOSE CLIP	1
5	BSE-00182230	FLAT MILGRADE ALUMINUM SENDER BASE	1
6	CPL-02322	FULL 1/4" NPTF MILGRADE ALUMINUM COUPLING	1
7	FLG-050220	1/2" NPTF MILGRADE ALUMINUM FLANGE	3
8	ECP-0416414121272	26" X 25-7/8" MILGRADE ALUMINUM VOLVO REVERSE "D" SHAPED END CAP WITH 1/2" FLANGE TYPE 7	1
9	ECP-0416414121262	26" X 25-7/8" MILGRADE ALUMINUM VOLVO REVERSE "D" SHAPED END CAP WITH 1/2" FLANGE TYPE 6	1
10	94135	1/2" SOCKET PIPE PLUG 3/4" TAPER NPTF ZINC	2

VOLVO PART NUMBER: 21172557

TITLE: 26" H x 25.875" W x 19.75" L		UNLESS OTHERWISE SPECIFIED:		NAME	DATE
SIZE <b>C</b>	REV	QC	INITIALS	DRAWN	
		PSI		CHECKED	
		DIMS		ENG APPR.	
		PARTS		MFG APPR.	
	TAG			G.A.	
	PKG			COMMENTS:	
<small>           PROPRIETARY AND CONFIDENTIAL            THE INFORMATION CONTAINED IN THIS DRAWING IS THE SOLE PROPERTY OF ALUMITANK. ANY REPRODUCTION IN PART OR AS A WHOLE WITHOUT THE WRITTEN PERMISSION OF ALUMITANK IS PROHIBITED.         </small>		<small>           DIMENSIONS ARE IN INCHES            TOLERANCES:            FRACTIONAL: ±            ANGULAR: MACH ± BEND ±            TWO PLACE DECIMAL ±            THREE PLACE DECIMAL ±         </small>		<small>           MATERIAL:            5052 H32 ALUMINUM            FINISH:            SEE BOM            DO NOT SCALE DRAWING         </small>	
				<small>           11317 N. US HWY 14 HARVARD, IL 60033 815-943-6649            800-452-6630 FAX 855-774-6918 WWW.ALUMITANK.COM INFO@ALUMITANK.COM         </small>	
				DWG. NO. <b>AT-VO-3001</b> REV. <b>A</b> SCALE: 1:8 WEIGHT: 39.14 SHEET 2 OF 2	

