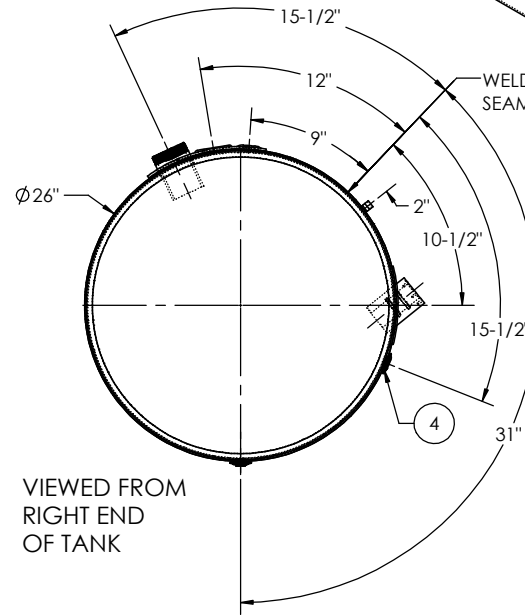
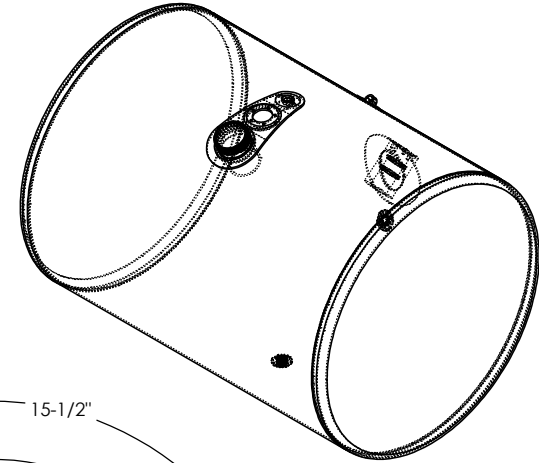
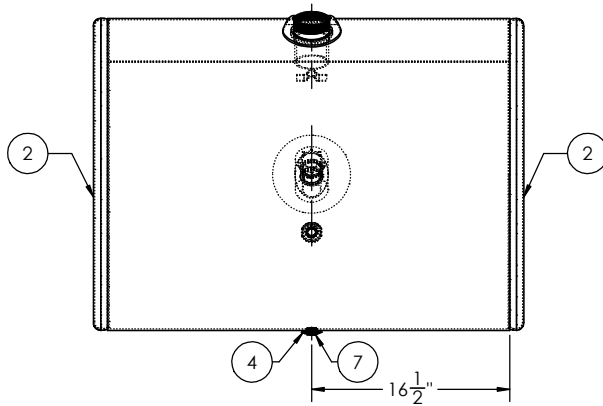
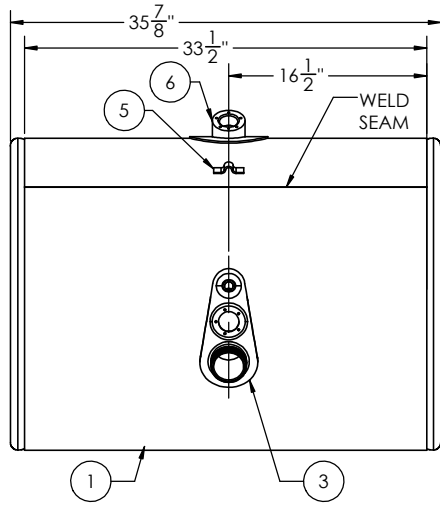


GALLONS	79	75	N/A	N/A
LITERS	299	284	N/A	N/A
	TOTAL CAPACITY	USEABLE CAPACITY	TOTAL CAPACITY	USEABLE CAPACITY
	DIESEL FUEL		BIO-DIESEL/ HYDRAULIC/WATER	



VIEWED FROM
RIGHT END
OF TANK

VOLVO PART NUMBER: 21826981

ITEM NO.	PART NUMBER	DESCRIPTION	QTY.
1	BRL-AT-VO-1059	1/8" TANK BARREL	1
2	ECP-4160012100	26" MILGRADE ALUMINUM END CAP	2
3	FLN-1301112200	3" - 8 UN MILGRADE ALUMINUM VOLVO FILL NECK	1
4	FLG-050220	1/2" NPTF MILGRADE ALUMINUM FLANGE	2
5	MSC-001	MILGRADE ALUMINUM HOSE CLIP	1
6	MSC-024	VOLVO HEATER FLANGE	1
7	94135	1/2" SOCKET PIPE PLUG 3/4" TAPER NPTF ZINC	1

TITLE: 26" D x 33.5" L		UNLESS OTHERWISE SPECIFIED: DIMENSIONS ARE IN INCHES TOLERANCES: FRACTIONAL: ± ANGULAR: MACH ± BEND ± TWO PLACE DECIMAL ± THREE PLACE DECIMAL ±		NAME	DATE
SIZE C	REV	QC	INITIALS	DRAWN	
		PSI		CHECKED	
		DIMS		ENG APPR.	
		PARTS		MFG APPR.	
	TAG			Q.A.	
	PKG			COMMENTS:	
<small>PROPRIETARY AND CONFIDENTIAL</small> <small>THE INFORMATION CONTAINED IN THIS DRAWING IS THE SOLE PROPERTY OF ALUMITANK. ANY REPRODUCTION IN PART OR AS A WHOLE WITHOUT THE WRITTEN PERMISSION OF ALUMITANK IS PROHIBITED.</small>		<small>MATERIAL:</small> 5052 H32 ALUMINUM		<small>FINISH:</small> SEE BOM	
		<small>DO NOT SCALE DRAWING</small>		<small>11317 N. US HWY 14 HARVARD, IL 60033 815-943-6649</small> <small>800-452-6630 FAX 855-774-6918 WWW.ALUMITANK.COM INFO@ALUMITANK.COM</small>	
				DWG. NO. AT-VO-1059	
				<small>SCALE: 1:8 WEIGHT: 50.42 SHEET 2 OF 2</small>	



REV. **B**