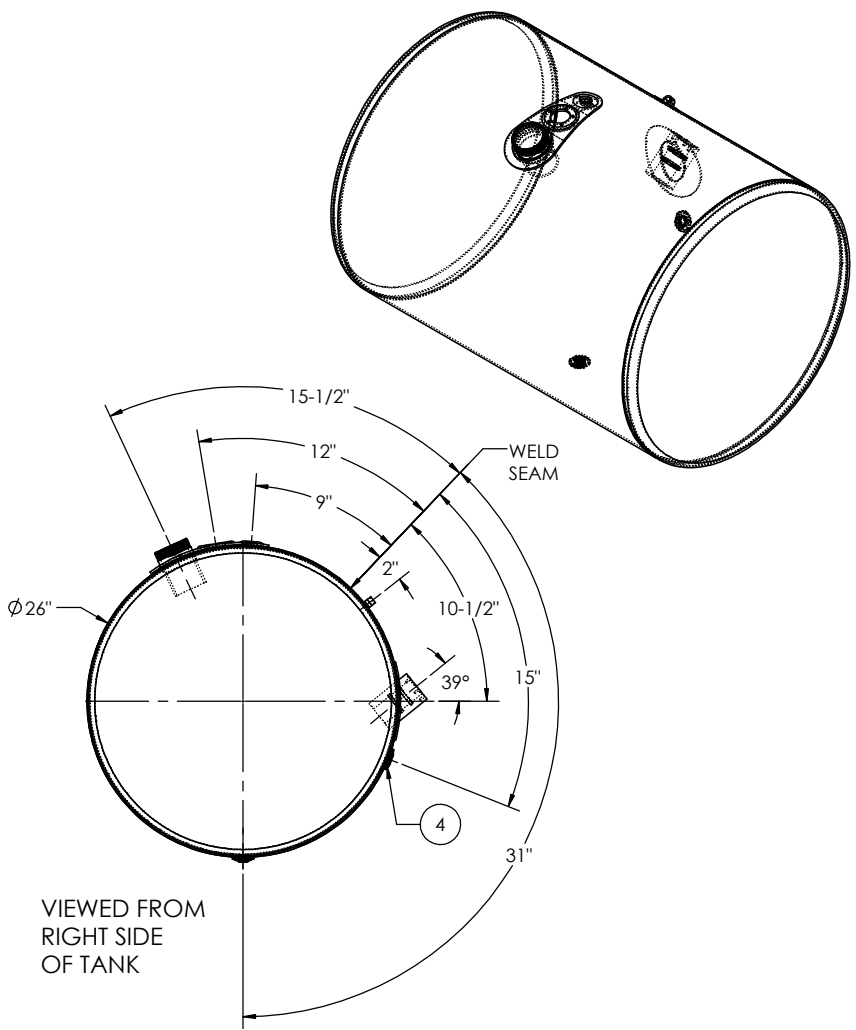
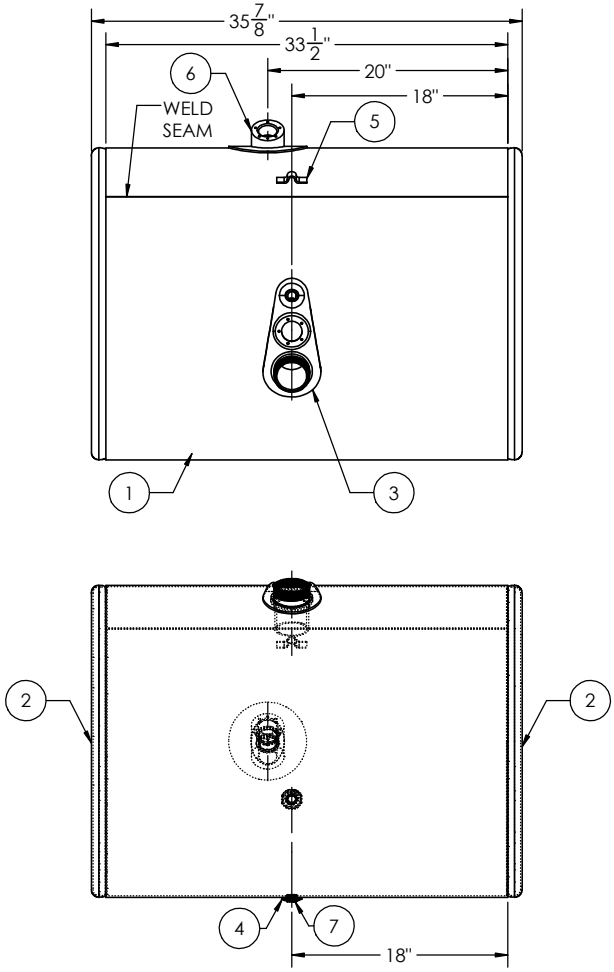


GALLONS	79	75	N/A	N/A
LITERS	299	284	N/A	N/A
	TOTAL CAPACITY	USEABLE CAPACITY	TOTAL CAPACITY	USEABLE CAPACITY
	DIESEL FUEL		BIO-DIESEL/ HYDRAULIC/WATER	



ITEM NO.	PART NUMBER	DESCRIPTION	QTY.
1	BRL-AT-VO-1058	1/8" TANK BARREL	1
2	ECP-4160012100	26" MILGRADE ALUMINUM END CAP	2
3	FLN-1301112200	3" - 8 UN MILGRADE ALUMINUM VOLVO FILL NECK	1
4	FLG-050220	1/2" NPTF MILGRADE ALUMINUM FLANGE	2
5	MSC-001	MILGRADE ALUMINUM HOSE CLIP	1
6	MSC-024	VOLVO HEATER FLANGE	1
7	94135	1/2" SOCKET PIPE PLUG 3/4" TAPER NPTF ZINC	1

VOLVO PART NUMBER: 21162225

TITLE: 26" D x 33.5" L		UNLESS OTHERWISE SPECIFIED:		NAME	DATE
DIMENSIONS ARE IN INCHES		TOLERANCES:		DRAWN	
FRACTIONS: ±		CHECKED		ENG APPR.	
TWO PLACE DECIMAL ±		MFG APPR.		G.A.	
THREE PLACE DECIMAL ±		INTERPRET GEOMETRIC TOLERANCING PER:		COMMENTS:	
MATERIAL: 5052 H32 ALUMINUM		FINISH: SEE BOM		DWG. NO. AT-VO-1058	
DO NOT SCALE DRAWING				REV. A	

PROPRIETARY AND CONFIDENTIAL
 THE INFORMATION CONTAINED IN THIS DRAWING IS THE SOLE PROPERTY OF ALUMITANK. ANY REPRODUCTION IN PART OR AS A WHOLE WITHOUT THE WRITTEN PERMISSION OF ALUMITANK IS PROHIBITED.

11317 N. US HWY 14 HARVARD, IL 60033 815-943-6649
 800-452-6630 FAX 855-774-6918 WWW.ALUMITANK.COM INFO@ALUMITANK.COM

SCALE: 1:8 WEIGHT: 50.42 SHEET 2 OF 2