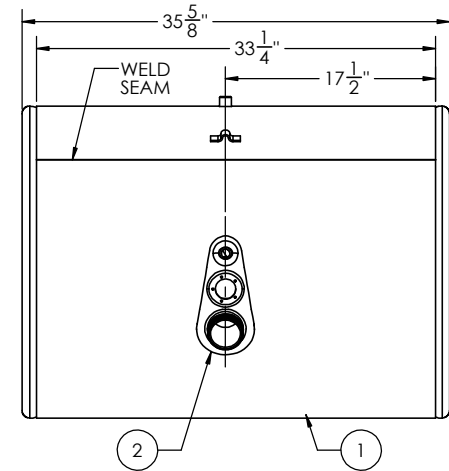
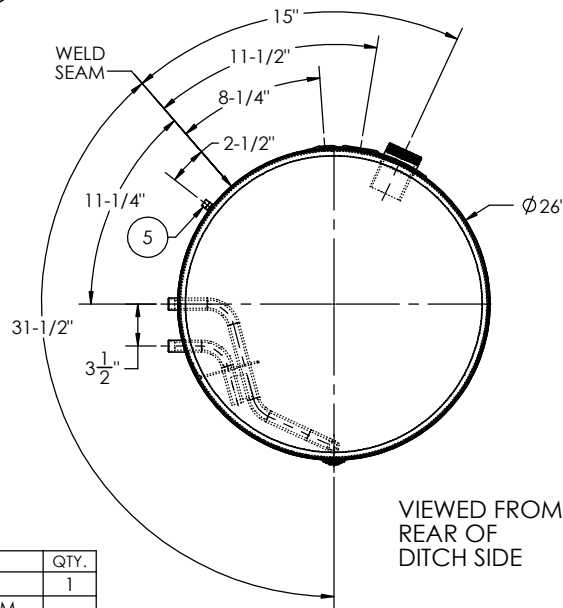
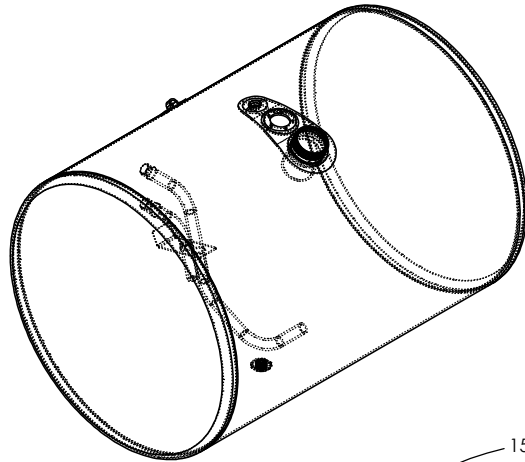
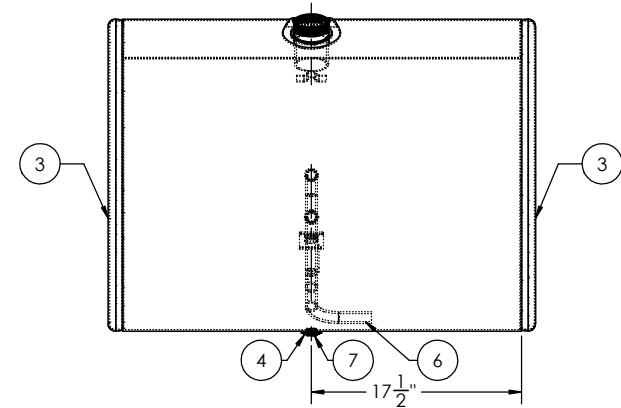


GALLONS	78	74	N/A	N/A
LITERS	296	282	N/A	N/A
	TOTAL CAPACITY	USEABLE CAPACITY	TOTAL CAPACITY	USEABLE CAPACITY
	DIESEL FUEL		BIO-DIESEL/ HYDRAULIC/WATER	



TRUCK FRONT
DITCH SIDE →



ITEM NO.	PART NUMBER	DESCRIPTION	QTY.
1	BRL-AT-VO-1017	1/8" TANK BARREL	1
2	FLN-1301112200	3" - 8 UN MILGRADE ALUMINUM VOLVO FILL NECK	1
3	ECP-4160012100	26" MILGRADE ALUMINUM END CAP	2
4	FLG-050220	1/2" NPTF MILGRADE ALUMINUM FLANGE	1
5	MSC-001	MILGRADE ALUMINUM HOSE CLIP	1
6	DTA-213241600	26" Right Volvo Style Tube Assembly	1
7	94135	1/2" SOCKET PIPE PLUG 3/4" TAPER NPTF ZINC	1

VOLVO PART NUMBER: 21162223

TITLE: 26" D x 33.25" L		UNLESS OTHERWISE SPECIFIED:		NAME	DATE
SIZE C	REV	QC	INITIALS	DRAWN	
		PSI		CHECKED	
PARTS		DIMENSIONS ARE IN INCHES		DRAWING NO.	
TAG		TOLERANCES:		DATE	
PKG		FRACTIONAL: ±		11317 N. US HWY 14	
		ANGULAR: MACH ± BEND ±		800-452-6630	
		TWO PLACE DECIMAL		HARVARD, IL 60033	
		THREE PLACE DECIMAL ±		815-943-6649	
		INTERPRET GEOMETRIC TOLERANCING PER:		WWW.ALUMITANK.COM	
		MATERIAL:		INFO@ALUMITANK.COM	
		5052 H32 ALUMINUM		DWG. NO.	
		FINISH: SEE BOM		AT-VO-1017	
		DO NOT SCALE DRAWING		REV. B	

SCALE: 1:8 WEIGHT: 49.96 SHEET 2 OF 2