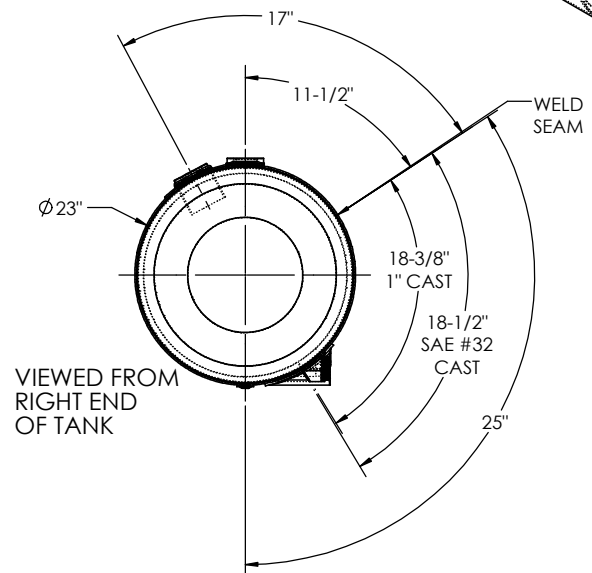
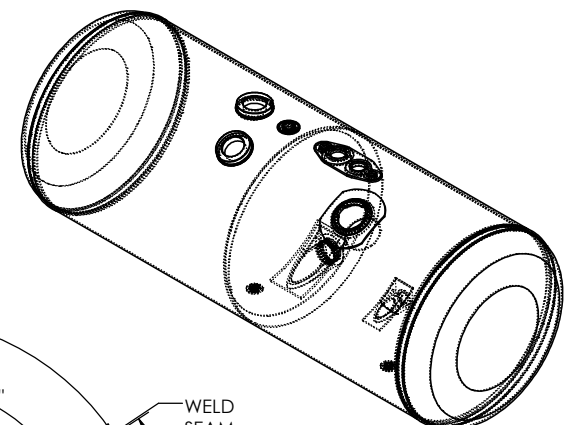
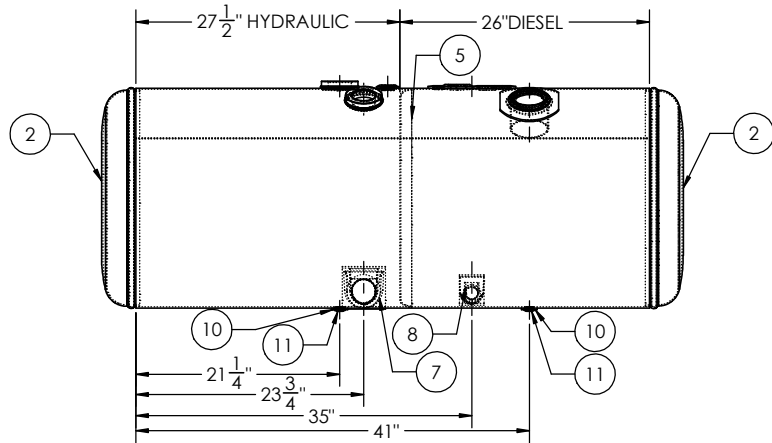
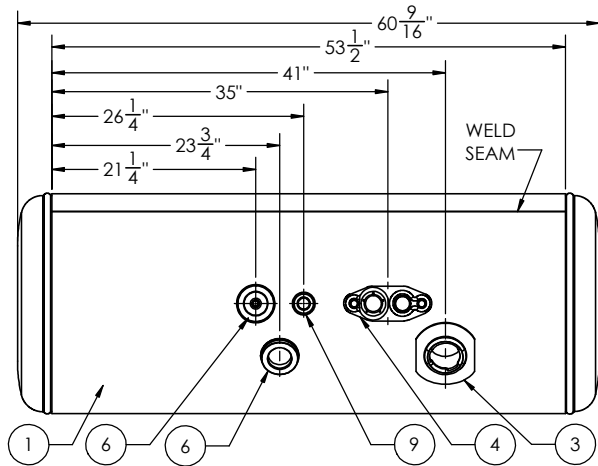


GALLONS	56	53	59	56
LITERS	212	201	222	210
	TOTAL CAPACITY	USEABLE CAPACITY	TOTAL CAPACITY	USEABLE CAPACITY
	DIESEL FUEL		BIO-DIESEL/ HYDRAULIC/WATER	



ITEM NO.	PART NUMBER	DESCRIPTION	QTY.
1	BRL-AT-PB-1097	1/8" TANK BARREL	1
2	ECP-3680012200	23" MILGRADE ALUMINUM PETERBILT STYLE END CAP	2
3	FLN-110022200	MILGRADE ALUMINUM PETERBILT FILL NECK	1
4	ADP-1132210	MILGRADE ALUMINUM PETERBILT ADAPTER PLATE	1
5	BHD-368001220	23" MILGRADE ALUMINUM BULKHEAD	1
6	FLG-00282221	SAE #32 MILGRADE ALUMINUM FLANGE TYPE 1	2
7	COC-0282210	SAE #32 CAST ALUMINUM CASTING	1
8	COC-70210	1" NPTF CAST ALUMINUM CASTING	1
9	FLG-070220	1" NPTF MILGRADE ALUMINUM FLANGE	1
10	FLG-040220	3/8" NPTF MILGRADE ALUMINUM FLANGE	2
11	94134	3/8" NPTF STEEL SOCKET HEAD PIPE PLUG 3/4" TAPER DRYSEAL	2

PETERBILT PART NUMBER: 11-04704-045F045H

TITLE: 23" D x 53.5" L		UNLESS OTHERWISE SPECIFIED:		DRAWN		NAME		DATE	
DIMENSIONS ARE IN INCHES		TOLERANCES:		CHECKED					
FRACTIONS: ±		ANGULAR: MACH ±		ENG APPR.					
TWO PLACE DECIMAL ±		BEND ±		MFG APPR.					
THREE PLACE DECIMAL ±		INTERPRET GEOMETRIC TOLERANCING PER:		G.A.					
MATERIAL:		5052 H32 ALUMINUM		COMMENTS:					
FINISH:		SEE BOM		DWG. NO.		AT-PB-1097		REV. A	
DO NOT SCALE DRAWING				SCALE: 1:10		WEIGHT: 70.89		SHEET 2 OF 2	

**AlumiTank**  
THE FUEL TANK SPECIALIST

11317 N. US HWY 14 HARVARD, IL 60033 815-943-6649

800-452-6630 FAX 855-774-6918 WWW.ALUMITANK.COM INFO@ALUMITANK.COM