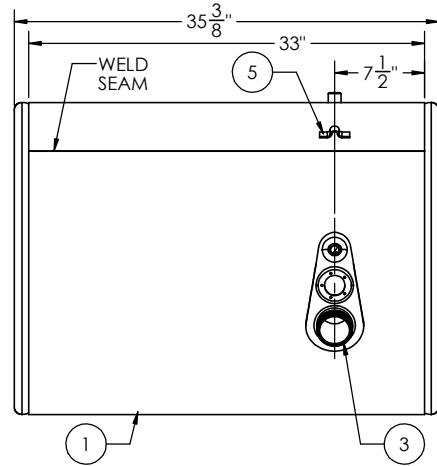
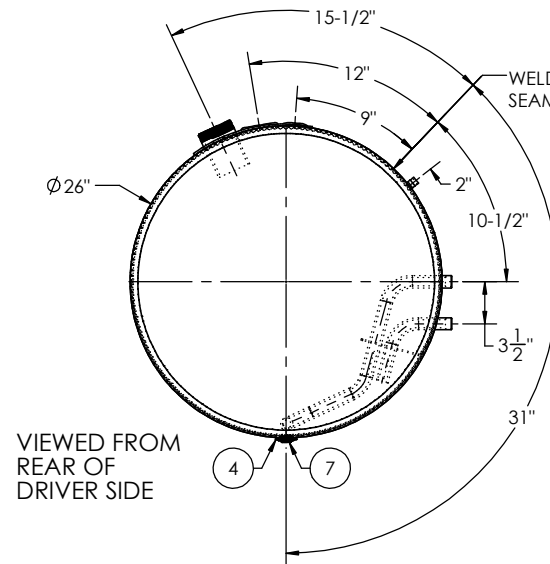
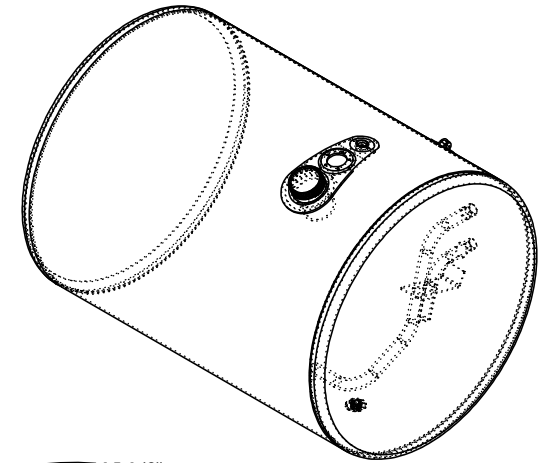
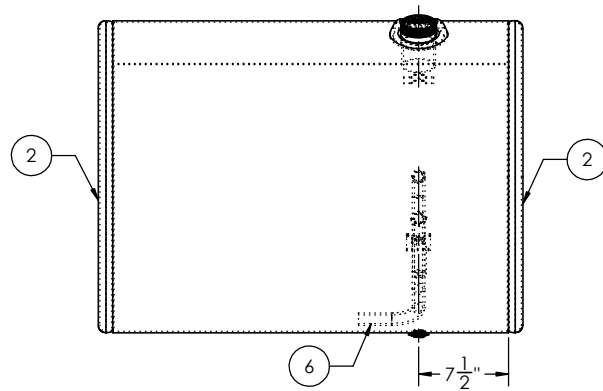


GALLONS	78	74	N/A	N/A
LITERS	294	280	N/A	N/A
	TOTAL CAPACITY	USEABLE CAPACITY	TOTAL CAPACITY	USEABLE CAPACITY
	DIESEL FUEL		BIO-DIESEL/ HYDRAULIC/WATER	

REVISIONS				
ZONE	REV.	DESCRIPTION	DATE	APPROVED
	A	INITIAL RELEASE FROM LEGACY	08/10/2021	CB



← TRUCK FRONT
DRIVER SIDE



VIEWED FROM
REAR OF
DRIVER SIDE

ITEM NO.	PART NUMBER	DESCRIPTION	QTY.
1	BRL-AT-VO-1026	1/8" TANK BARREL	1
2	ECP-4160012100	26" MILGRADE ALUMINUM END CAP	2
3	FLN-1301112200	3" - 8 UN MILGRADE ALUMINUM VOLVO FILL NECK	1
4	FLG-050220	1/2" NPTF MILGRADE ALUMINUM FLANGE	1
5	MSC-001	MILGRADE ALUMINUM HOSE CLIP	1
6	DTA-113241600	26" LEFT VOLVO STYLE TUBE ASSEMBLY	1
7	94135	1/2" SOCKET PIPE PLUG 3/4" TAPER NPTF ZINC	1

TITLE:		UNLESS OTHERWISE SPECIFIED:		NAME	DATE
SIZE C	REV	QC	INITIALS	DRAWN	
		PSI		CHECKED	
		DIMS		ENG APPR.	
		PARTS		MFG APPR.	
TAG		G.A.		COMMENTS:	
PKG		MATERIAL: 5052 H32 ALUMINUM		11317 N. US HWY 14 800-652-6630	
FINISH: SEE BOM		TOLERANCING PER:		HARVARD, IL 60033 FAX 855-774-6918	
DO NOT SCALE DRAWING		INTERPRET GEOMETRIC TOLERANCING PER:		WWW.ALUMITANK.COM	
				815-943-6649 INFO@ALUMITANK.COM	
				DWG. NO. AT-VO-1026	
				REV. A	
				SCALE: 1:8 WEIGHT: 49.77 SHEET 1 OF 1	

