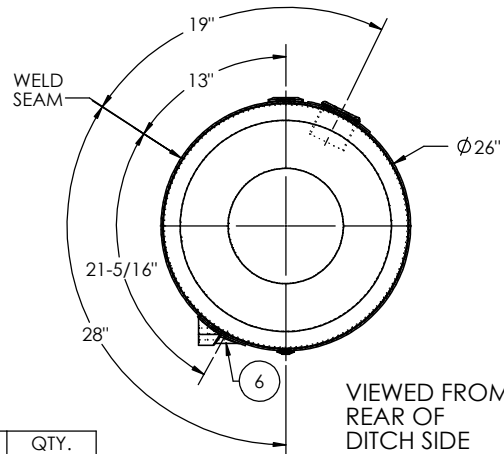
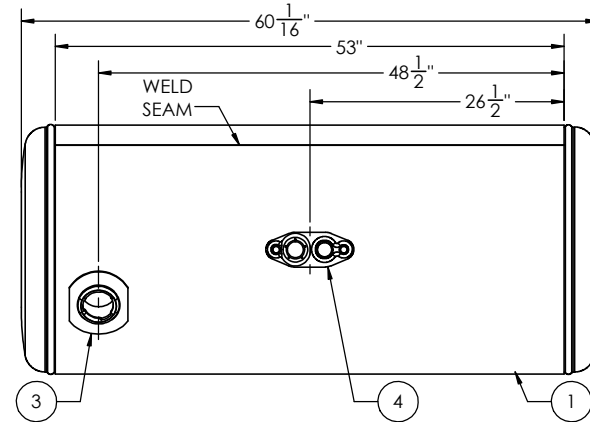
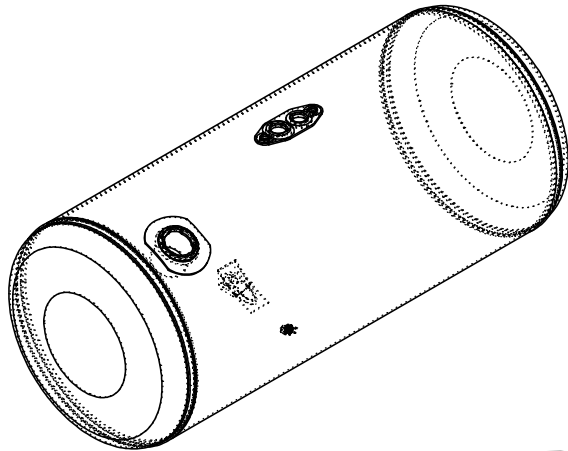


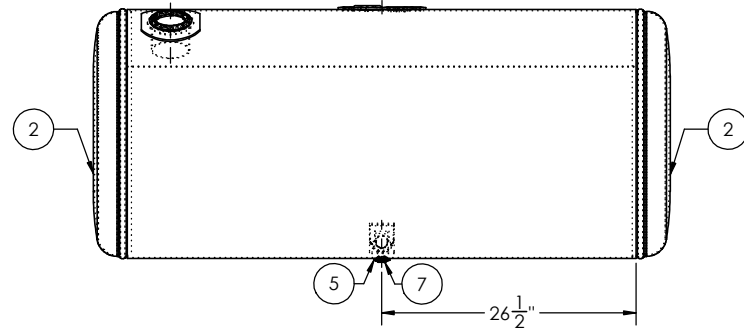
GALLONS	133	126	N/A	N/A
LITERS	502	477	N/A	N/A
	TOTAL CAPACITY	USEABLE CAPACITY	TOTAL CAPACITY	USEABLE CAPACITY
	DIESEL FUEL		BIO-DIESEL/ HYDRAULIC/WATER	

REVISIONS				
ZONE	REV.	DESCRIPTION	DATE	APPROVED
	A	INITIAL RELEASE	01/31/2022	ACH



VIEWED FROM
REAR OF
DITCH SIDE

TRUCK FRONT
DITCH SIDE



ITEM NO.	PART NUMBER	DESCRIPTION	QTY.
1	BRL-AT-PB-1058	1/8" TANK BARREL	1
2	ECP-4160012200	26" MILGRADE ALUMINUM PETERBILT STYLE END CAP	2
3	FLN-110022200	MILGRADE ALUMINUM PETERBILT FILL NECK	1
4	ADP-1132210	MILGRADE ALUMINUM PETERBILT ADAPTER PLATE	1
5	FLG-050220	1/2" NPTF MILGRADE ALUMINUM FLANGE	1
6	COC-70210	1" NPTF CAST ALUMINUM CASTING	1
7	94135	1/2" SOCKET PIPE PLUG 3/4" TAPER NPTF ZINC	1

TITLE: 26"x53" TANK				UNLESS OTHERWISE SPECIFIED:		NAME		DATE	
SIZE C	REV	QC	INITIALS	DIMENSIONS ARE IN INCHES		DRAWN			
		PSI		FRACTIONAL: ±		CHECKED			
		DIMS		ANGULAR: MATCH BEND ±		ENG APPR.			
		PARTS		TWO PLACE DECIMAL ±		MFG APPR.			
TAG		THREE PLACE DECIMAL ±		Q.A.					
PKG		INTERPRET GEOMETRIC TOLERANCING PER:		COMMENTS:					
MATERIAL: 5052 H32 ALUMINUM		FINISH: SEE BOM		DO NOT SCALE DRAWING					
<small>PROPRIETARY AND CONFIDENTIAL</small> <small>THE INFORMATION CONTAINED IN THIS DRAWING IS THE SOLE PROPERTY OF ALUMITANK. ANY REPRODUCTION IN PART OR AS A WHOLE WITHOUT THE WRITTEN PERMISSION OF ALUMITANK IS PROHIBITED.</small>				<small>11317 N. US HWY 14 HARVARD, IL 60033 815-943-6649</small> <small>800-452-6630 FAX 855-774-6918 WWW.ALUMITANK.COM INFO@ALUMITANK.COM</small>				<small>DWG. NO. AT-PB-1058-GAL</small> <small>SCALE: 1:10 WEIGHT: 71.81 SHEET 1 OF 1</small>	
						REV. B			