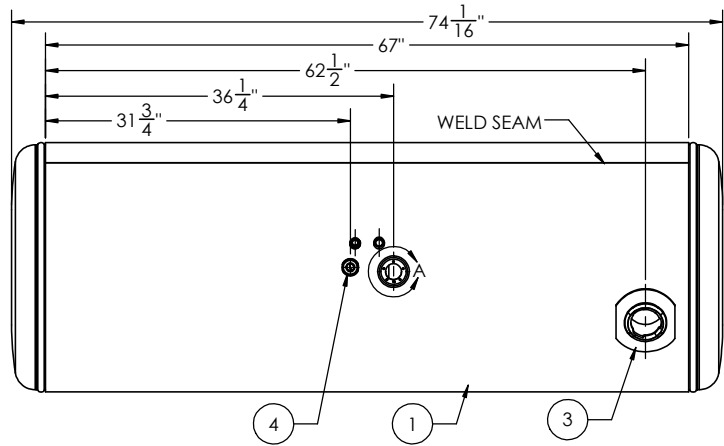
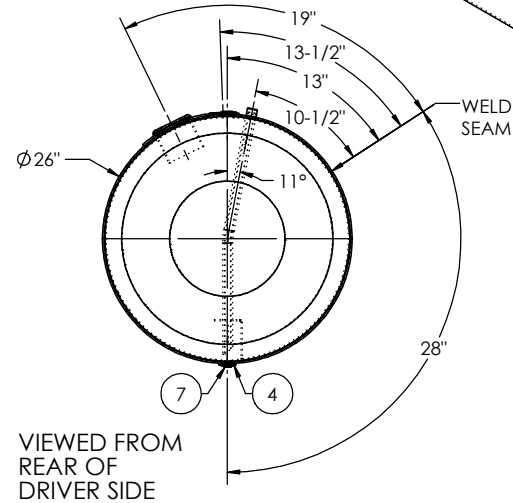
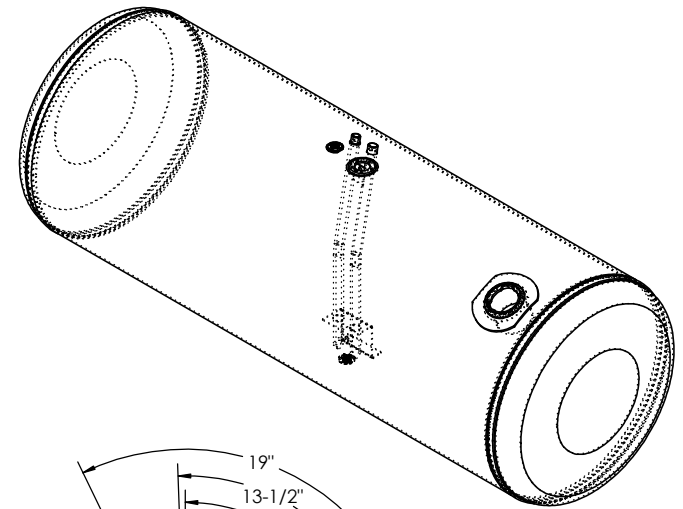
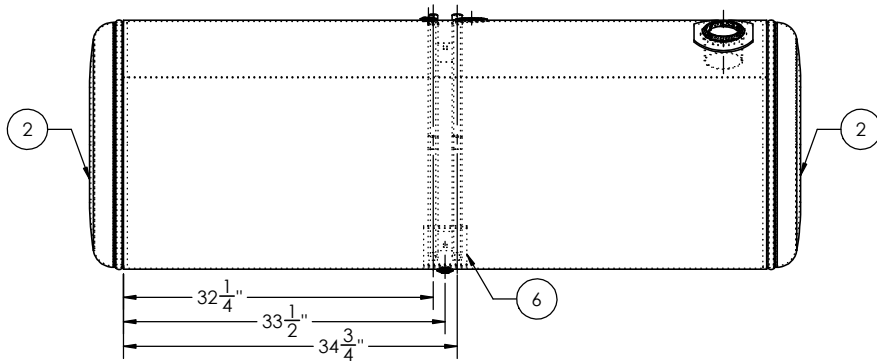


GALLONS	164	156		
LITERS	621	590		
	TOTAL CAPACITY	USEABLE CAPACITY	TOTAL CAPACITY	USEABLE CAPACITY
	DIESEL FUEL		BIO-DIESEL/ HYDRAULIC/WATER	

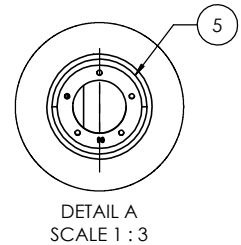
REVISIONS				
ZONE	REV.	DESCRIPTION	DATE	APPROVED
	A	INITIAL RELEASE FROM LEGACY	07/15/2021	CB
D3	B	FIXED GALLONAGE TABLE	07/19/2021	NF



← TRUCK FRONT  
DRIVER SIDE



VIEWED FROM  
REAR OF  
DRIVER SIDE



ITEM NO.	PART NUMBER	DESCRIPTION	QTY.
1	BRL-AT-PB-1017	1/8" TANK BARREL	1
2	ECP-4160013200	26" POLISHED ALUMINUM PETERBILT STYLE END CAP	2
3	FLN-110022300	POLISHED ALUMINUM PETERBILT FILL NECK	1
4	FLG-050230	1/2" NPTF POLISHED ALUMINUM FLANGE	2
5	BSE-00183210	CURVED 90 POLISHED ALUMINUM SENDER BASE	1
6	DTA-311241630	26" POLISHED PETERBILT TUBE ASSEMBLY	1
7	94135	1/2" SOCKET PIPE PLUG 3/4" TAPER NPTF ZINC	1

TITLE: 26"x67" TANK		UNLESS OTHERWISE SPECIFIED:		NAME	DATE
SIZE <b>C</b>	REV	QC	INITIALS	DRAWN	
		PSI		CHECKED	
		DIMS		ENG APPR.	
		PARTS		MFG APPR.	
		TAG		Q.A.	
		PKG		COMMENTS:	
		MATERIAL: 5052 H32 ALUMINUM			
		FINISH: SEE BOM			
		DO NOT SCALE DRAWING			
		DIMENSIONS ARE IN INCHES		11317 N. US HWY 14 800-652-6630	
		TOLERANCES:		HARVARD, IL 60033 FAX 855-774-6918	
		FRACTIONS: ±		WWW.ALUMITANK.COM	
		ANGULAR: MACH ± BEND ±		815-943-6649 INFO@ALUMITANK.COM	
		TWO PLACE DECIMAL ±			
		THREE PLACE DECIMAL ±			
		INTERPRET GEOMETRIC TOLERANCING PER:		DWG. NO. AT-PB-1017	
				REV. B	
				SCALE: 1:10   WEIGHT: 87.68   SHEET 1 OF 1	