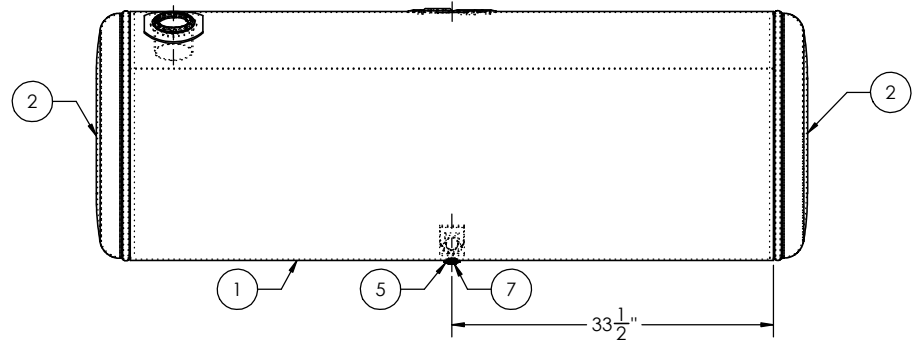
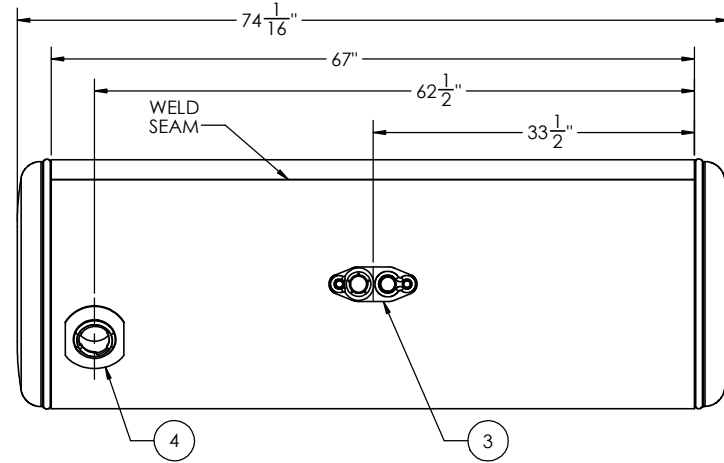
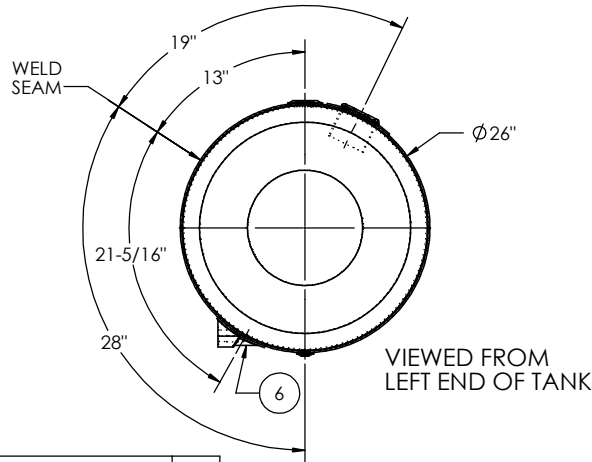
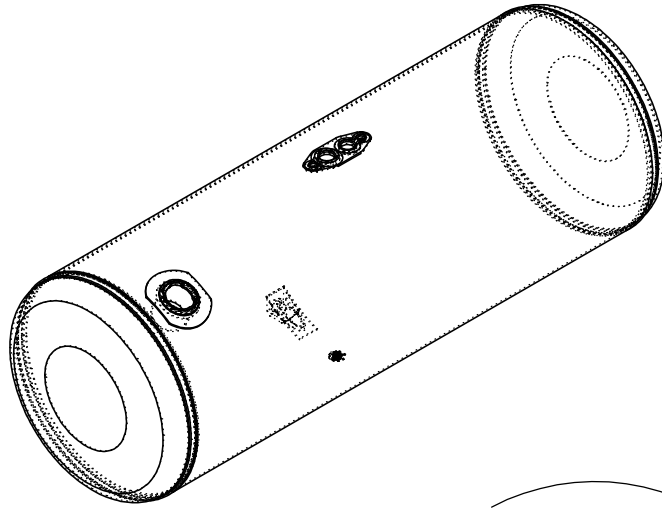
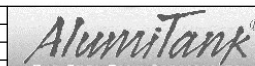


GALLONS	164	156	N/A	N/A
LITERS	621	590	N/A	N/A
	TOTAL CAPACITY	USEABLE CAPACITY	TOTAL CAPACITY	USEABLE CAPACITY
	DIESEL FUEL		BIO-DIESEL/ HYDRAULIC/WATER	

REVISIONS				
ZONE	REV.	DESCRIPTION	DATE	APPROVED
	A	INITIAL RELEASE FROM LEGACY	08/13/2021	CB



ITEM NO.	PART NUMBER	DESCRIPTION	QTY
1	BRL-AT-PB-1014	1/8" TANK BARREL	1
2	ECP-4160013200	26" POLISHED ALUMINUM PETERBILT STYLE END CAP	2
3	ADP-1132310	POLISHED ALUMINUM PETERBILT ADAPTER PLATE	1
4	FLN-110022300	POLISHED ALUMINUM PETERBILT FILL NECK	1
5	FLG-050230	1/2" NPTF POLISHED ALUMINUM FLANGE	1
6	COC-70210	1" NPTF CAST ALUMINUM CASTING	1
7	94135	1/2" SOCKET PIPE PLUG 3/4" TAPER NPTF ZINC	1

TITLE: 26" X 67"		UNLESS OTHERWISE SPECIFIED: DIMENSIONS ARE IN INCHES TOLERANCES: FRACTIONAL: ± ANGULAR: MACH ± BEND ± TWO PLACE DECIMAL ± THREE PLACE DECIMAL ±		NAME	DATE
SIZE <b>C</b>	REV	QC	INITIALS	DRAWN	
		PSI		CHECKED	
		DIMS		ENG APPR.	
		PARTS		MFG APPR.	
	TAG			Q.A.	
	PKG			COMMENTS:	
<small>PROPRIETARY AND CONFIDENTIAL</small> <small>THE INFORMATION CONTAINED IN THIS DRAWING IS THE SOLE PROPERTY OF ALUMITANK. ANY REPRODUCTION IN PART OR AS A WHOLE WITHOUT THE WRITTEN PERMISSION OF ALUMITANK IS PROHIBITED.</small>		MATERIAL: 5052 H32 ALUMINUM	FINISH: SEE BOM	 <small>11317 N. US HWY 14 HARVARD, IL 60033 815-943-6649</small>	
		DO NOT SCALE DRAWING	<small>800-652-6630 FAX 855-774-6918 WWW.ALUMITANK.COM INFO@ALUMITANK.COM</small> DWG. NO. <b>AT-PB-1014-GAL</b> REV. <b>C</b> SCALE: 1:10   WEIGHT: 85.54   SHEET 1 OF 1		