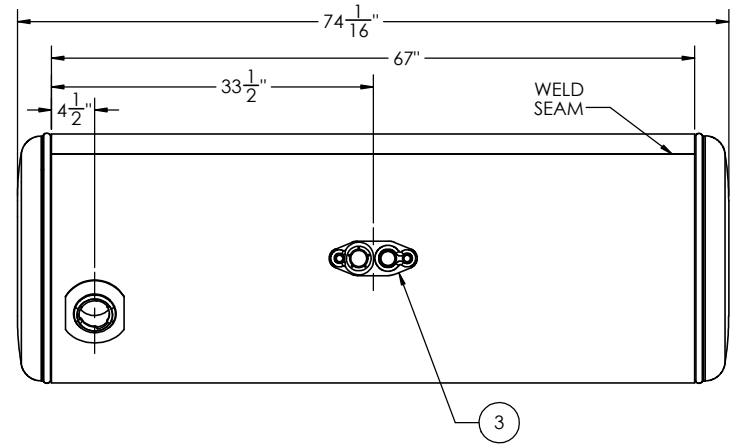
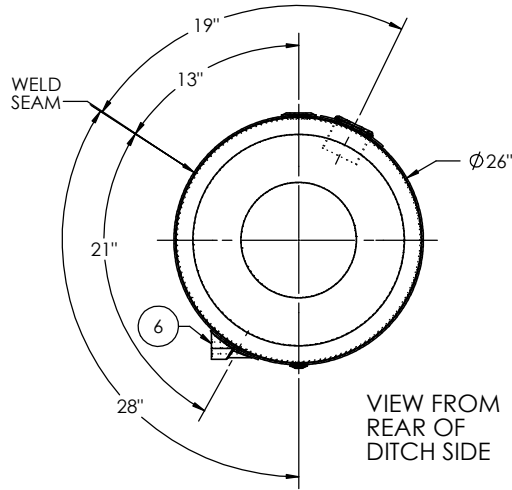
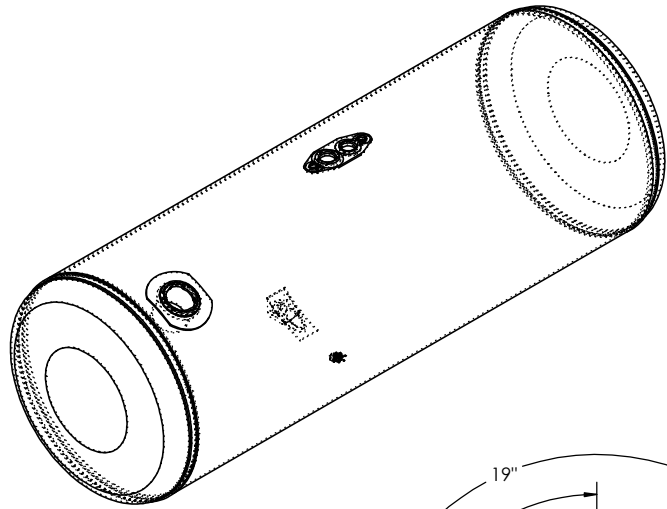
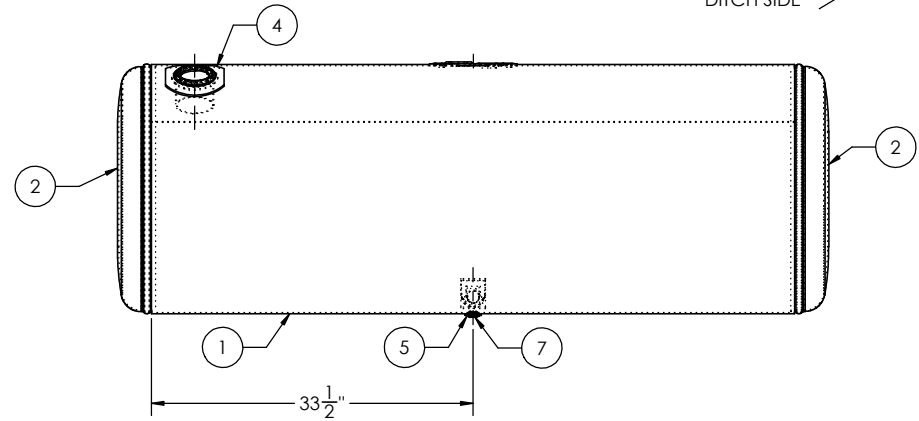


GALLONS	176	167	N/A	N/A
LITERS	666	633	N/A	N/A
	TOTAL CAPACITY	USEABLE CAPACITY	TOTAL CAPACITY	USEABLE CAPACITY
	DIESEL FUEL		BIO-DIESEL/ HYDRAULIC/WATER	

REVISIONS				
ZONE	REV.	DESCRIPTION	DATE	APPROVED
	A	INITIAL RELEASAE FROM LEGACY	08/26/2021	ACB



TRUCK FRONT  
DITCH SIDE



ITEM NO.	PART NUMBER	DESCRIPTION	QTY.
1	BRL-AT-PB-1012	1/8" TANK BARREL	1
2	ECP-4160012200	26" MILGRADE ALUMINUM PETERBILT STYLE END CAP	2
3	ADP-1132210	MILGRADE ALUMINUM PETERBILT ADAPTER PLATE	1
4	FLN-110022200	MILGRADE ALUMINUM PETERBILT FILL NECK	1
5	FLG-050220	1/2" NPTF MILGRADE ALUMINUM FLANGE	1
6	COC-70210	1" NPTF CAST ALUMINUM CASTING	1
7	94135	1/2" SOCKET PIPE PLUG 3/4" TAPER NPTF ZINC	1

TITLE: 26x67 TANK				UNLESS OTHERWISE SPECIFIED:		NAME		DATE	
SIZE: C		REV:		DIMENSIONS ARE IN INCHES		DRAWN:			
		QC		TOLERANCES:		CHECKED:			
		PSI		FRACTIONAL: ±		ENG APPR:			
		DIMS		ANGULAR: MACH ± BEND ±		MFG APPR:			
		PARTS		TWO PLACE DECIMAL ±		G.A.:			
		TAG		THREE PLACE DECIMAL ±		COMMENTS:			
		PKG		INTERPRET GEOMETRIC TOLERANCING PER:					
				MATERIAL:					
				5052 H32 ALUMINUM					
				FINISH:					
				SEE BOM					
				DO NOT SCALE DRAWING					

**AlumiTank**<sup>®</sup>  
THE FUEL TANK SPECIALIST

11317 N. US HWY 14 800-652-6630  
HARVARD, IL 60033 FAX 855-774-6918  
815-943-6649 WWW.ALUMITANK.COM  
INFO@ALUMITANK.COM

DWG. NO. AT-PB-1012 REV. A  
SCALE: 1:10 | WEIGHT: 85.55 | SHEET 1 OF 1