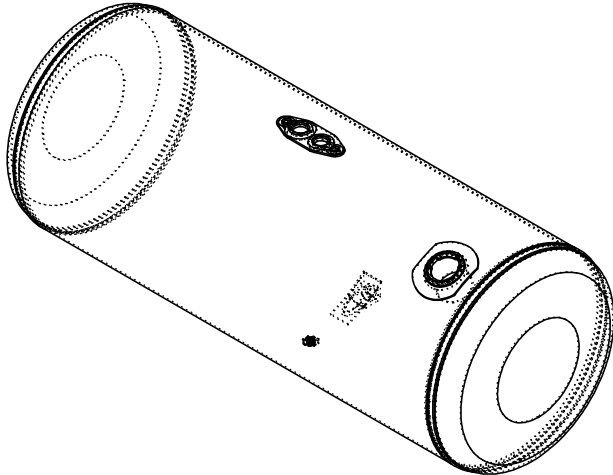
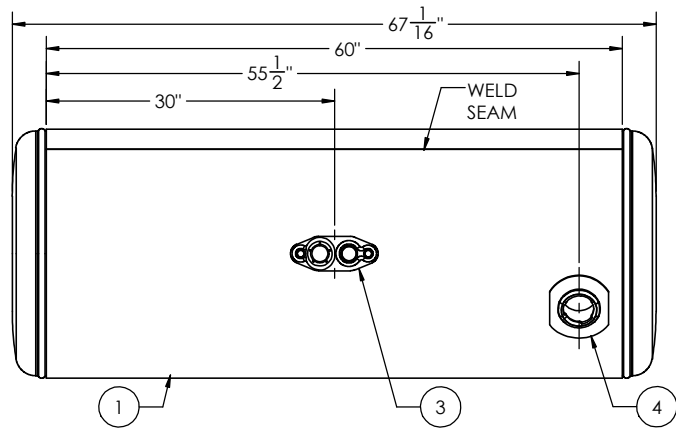
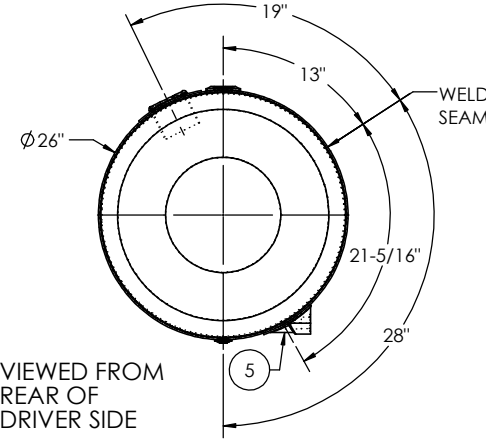
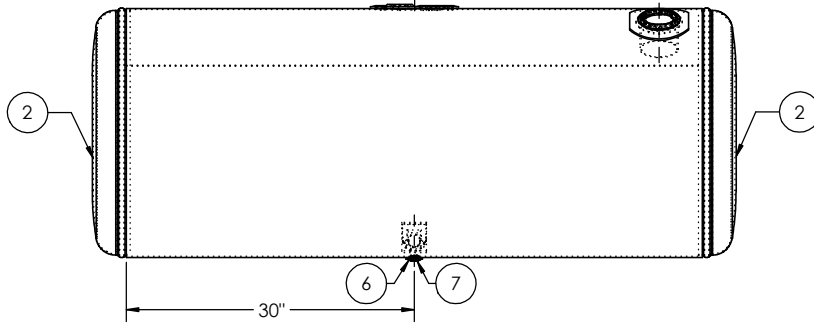


GALLONS	148	141		
LITERS	561	533		
	TOTAL CAPACITY	USEABLE CAPACITY	TOTAL CAPACITY	USEABLE CAPACITY
	DIESEL FUEL		BIO-DIESEL/ HYDRAULIC/WATER	

REVISIONS				
ZONE	REV.	DESCRIPTION	DATE	APPROVED
	A	INITIAL RELEASE FROM LEGACY	07/24/2021	CB



← TRUCK FRONT
DRIVER SIDE



VIEWED FROM
REAR OF
DRIVER SIDE

ITEM NO.	PART NUMBER	DESCRIPTION	QTY.
1	BRL-AT-PB-1003	1/8" TANK BARREL	1
2	ECP-4160012200	26" MILGRADE ALUMINUM PETERBILT STYLE END CAP	2
3	ADP-1132210	MILGRADE ALUMINUM PETERBILT ADAPTER PLATE	1
4	FLN-110022200	MILGRADE ALUMINUM PETERBILT FILL NECK	1
5	COC-70210	1" NPTF CAST ALUMINUM CASTING	1
6	FLG-050220	1/2" NPTF MILGRADE ALUMINUM FLANGE	1
7	94135	1/2" SOCKET PIPE PLUG 3/4" TAPER NPTF ZINC	1

PETERBILT PART NUMBER: 11-02680-135

TITLE: 26"x60" TANK		UNLESS OTHERWISE SPECIFIED:		NAME		DATE	
SIZE C	REV	QC	INITIALS	DIMENSIONS ARE IN INCHES			
		PSI		TOLERANCES:			
		DIMS		FRACTIONS: ±			
		PARTS		ANGULAR: MACH ± BEND ±			
TAG		TWO PLACE DECIMAL					
PKG		THREE PLACE DECIMAL ±					
MATERIAL: 5052 H32 ALUMINUM		INTERPRET GEOMETRIC TOLERANCING PER:		MFG APPR.			
FINISH: SEE BOM		DO NOT SCALE DRAWING		D.A.			
PROPRIETARY AND CONFIDENTIAL		THE INFORMATION CONTAINED IN THIS DRAWING IS THE SOLE PROPERTY OF ALUMITANK. ANY REPRODUCTION IN PART OR AS A WHOLE WITHOUT THE WRITTEN PERMISSION OF ALUMITANK IS PROHIBITED.		COMMENTS:			
				11317 N. US HWY 14 800-652-6630 HARVARD, IL 60033 FAX 855-774-6918 815-943-6649 WWW.ALUMITANK.COM INFO@ALUMITANK.COM			
				DWG. NO. AT-PB-1003 REV. A			
				SCALE: 1:10 WEIGHT: 78.68 SHEET 1 OF 1			