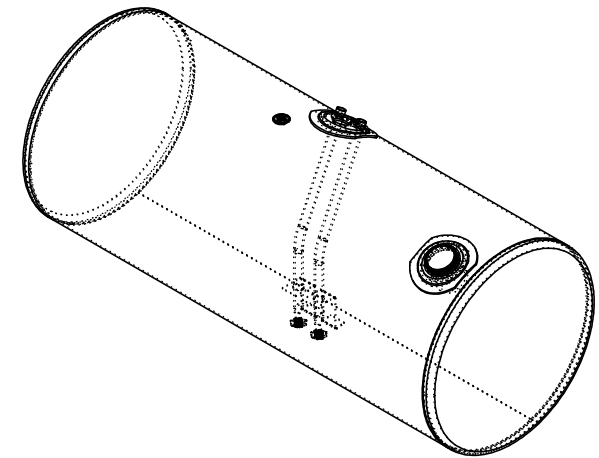
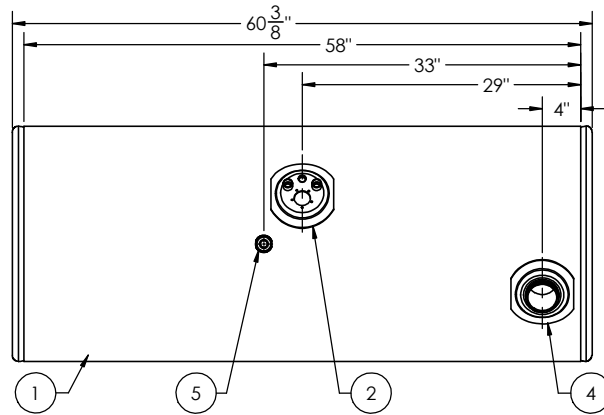
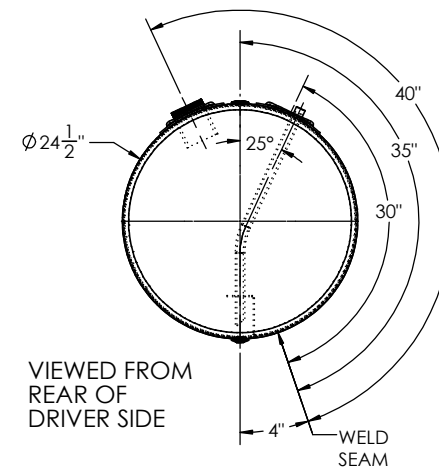
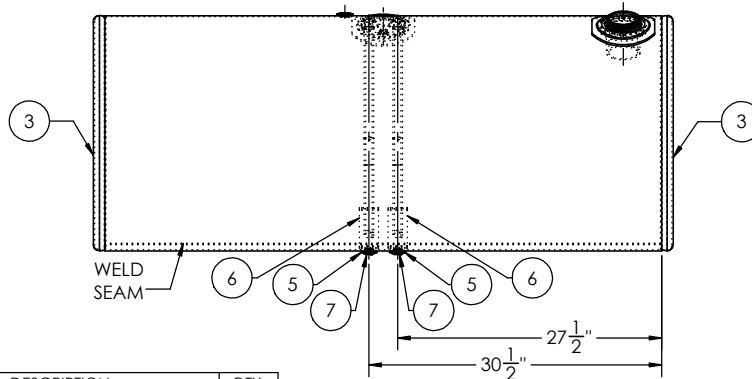


GALLONS	119	113	N/A	N/A
LITERS	450	428	N/A	N/A
	TOTAL CAPACITY	USEABLE CAPACITY	TOTAL CAPACITY	USEABLE CAPACITY
	DIESEL FUEL		BIO-DIESEL/ HYDRAULIC/WATER	

REVISIONS				
ZONE	REV.	DESCRIPTION	DATE	APPROVED
	A	INITIAL RELEASE	04/01/2022	ACH



← TRUCK FRONT
DRIVER SIDE



ITEM NO.	PART NUMBER	DESCRIPTION	QTY.
1	BRL-AT-KW-1141	1/8" TANK BARREL	1
2	ADP-83222392	24-1/2 MILGRADE ALUMINUM KENWORTH ADAPTER PLATE WITH TUBES	1
3	ECP-3920012100	24 1/2 MILGRADE ALUMINUM END CAP	2
4	FLN-801212200	MILGRADE ALUMINUM KENWORTH FILL NECK	1
5	FLG-050220	1/2" NPTF MILGRADE ALUMINUM FLANGE	3
6	STR-001 (DIA 24.50 TUBE 1.125)	SMALL TUBE STABILIZER (1.125)	2
7	94135	1/2" SOCKET PIPE PLUG 3/4" TAPER NPTF ZINC	2

TITLE:		UNLESS OTHERWISE SPECIFIED:		NAME	DATE
SIZE C	REV	QC	INITIALS	DRAWN	
		PSI		CHECKED	
		DIMS		ENG APPR.	
		PARTS		MFG APPR.	
TAG		Q.A.			
PKG		INTERPRET GEOMETRIC TOLERANCING PER:	COMMENTS:		
PROPRIETARY AND CONFIDENTIAL THE INFORMATION CONTAINED IN THIS DRAWING IS THE SOLE PROPERTY OF ALUMITANK. ANY REPRODUCTION IN PART OR AS A WHOLE WITHOUT THE WRITTEN PERMISSION OF ALUMITANK IS PROHIBITED.		DIMENSIONS ARE IN INCHES TOLERANCES: FRACTIONAL: ± ANGULAR: MACH ± BEND ± TWO PLACE DECIMAL ± THREE PLACE DECIMAL ±		MATERIAL: 5052 H32 ALUMINUM FINISH: SEE BOM DO NOT SCALE DRAWING	
		11317 N. US HWY 14 HARVARD, IL 60033 815-943-6649		800-452-6630 FAX 855-774-6918 WWW.ALUMITANK.COM INFO@ALUMITANK.COM	
		DWG. NO. AT-KW-1141-GAL		REV. A	
		SCALE: 1:10 WEIGHT: 71.29 SHEET 1 OF 1			