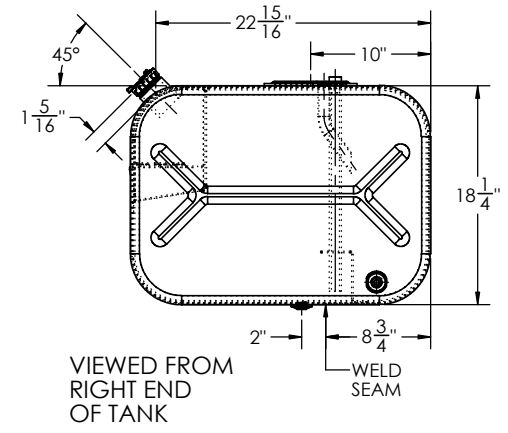
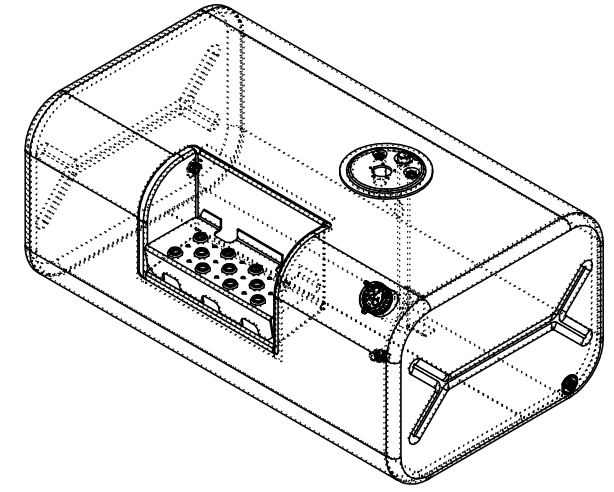
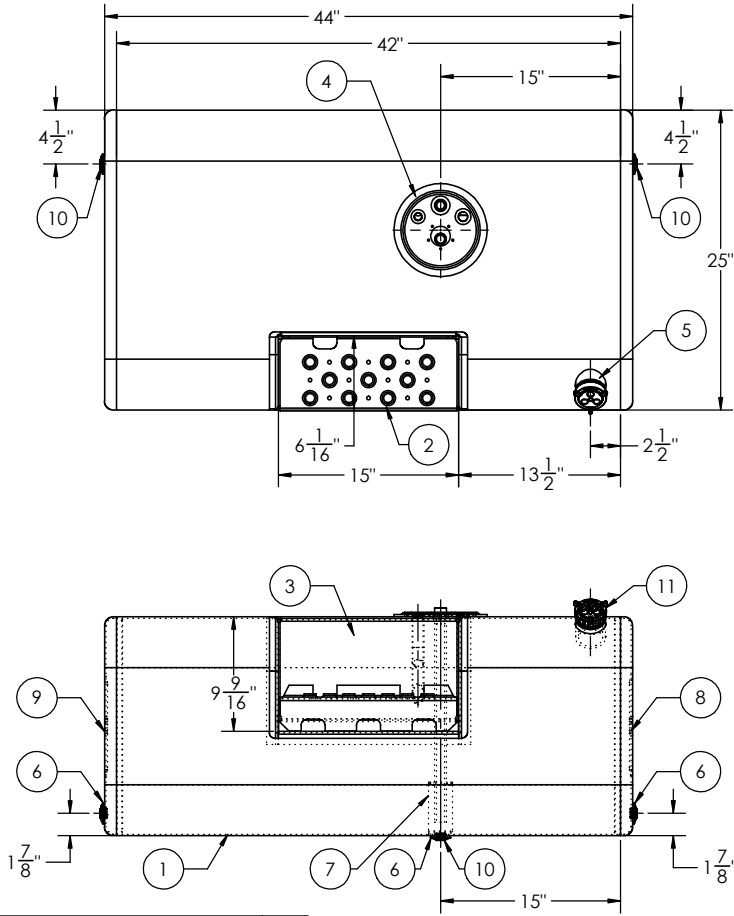


GALLONS	77	73	N/A	N/A
LITERS	291	277	N/A	N/A
	TOTAL CAPACITY	USEABLE CAPACITY	TOTAL CAPACITY	USEABLE CAPACITY
	DIESEL FUEL		BIO-DIESEL/ HYDRAULIC/WATER	

REVISIONS				
ZONE	REV.	DESCRIPTION	DATE	APPROVED
	A	INITIAL RELEASE	01/13/2022	A_KRK



ITEM NO.	PART NUMBER	DESCRIPTION	QTY.
1	BRL-AT-IN-2002	1/8" TANK BARREL	1
2	SEP-1	14-3/4" WIDE X TALL MILGRADE ALUMINUM INSERT STEP	1
3	PKT-3	15" WIDE X 9-5/8" TALL MILGRADE ALUMINUM POCKET	1
4	ADP-51222288	18" MILGRADE ALUMINUM DRIVER SIDE INTERNATIONAL ADAPTER PLATE	1
5	FLN-0481012230	3" LONG - 2" NPSM - 11.5 TPI MILGRADE ALUMINUM FILL NECK	1
6	FLG-050220	1/2" NPTF MILGRADE ALUMINUM FLANGE	3
7	STR-001 (FLAT 1.125)	SMALL TUBE STABILIZER (1.125)	1
8	ECP-1825-RIGHT-4.5	18-1/4" X 25" MILGRADE ALUMINUM RECTANGULAR END CAP WITH 1/2" FLANGE	1
9	ECP-1825-LEFT-4.5	18-1/4" X 25" MILGRADE ALUMINUM RECTANGULAR END CAP WITH 1/2" FLANGE	1
10	94135	1/2" SOCKET PIPE PLUG 3/4" TAPER NPTF ZINC	3
11	FCP-1330 (600133)	2" NON-VENTED, NON-LOCK CAP	1

TITLE:		UNLESS OTHERWISE SPECIFIED:		NAME		DATE		
SIZE C	REV	QC	INITIALS	DIMENSIONS ARE IN INCHES	DRAWN			
		PSI		TOLERANCES:	CHECKED			
		DIMS		FRACTIONS: \pm	ENG APPR.			
		PARTS		ANGULAR: MACH \pm BEND \pm	MFG APPR.			
		TAG		TWO PLACE DECIMAL	G.A.			
PKG		THREE PLACE DECIMAL	INTERPRET GEOMETRIC TOLERANCING PER:	COMMENTS:				
PROPRIETARY AND CONFIDENTIAL THE INFORMATION CONTAINED IN THIS DRAWING IS THE SOLE PROPERTY OF ALUMITANK. ANY REPRODUCTION IN PART OR AS A WHOLE WITHOUT THE WRITTEN PERMISSION OF ALUMITANK IS PROHIBITED.				MATERIAL: 5052 H32 ALUMINUM		11317 N. US HWY 14 HARVARD, IL 60033 815-943-6649		
				FINISH: SEE BOM		800-652-6630 FAX 855-774-6918 WWW.ALUMITANK.COM INFO@ALUMITANK.COM		
				DO NOT SCALE DRAWING		DWG. NO. AT-IN-2002-GAL		
						SCALE: 1:8 WEIGHT: 58.84 SHEET 1 OF 1		

