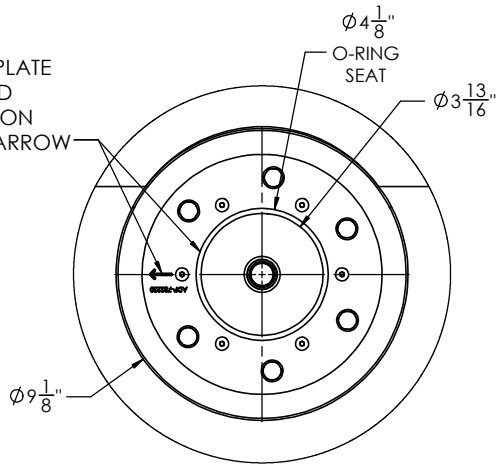


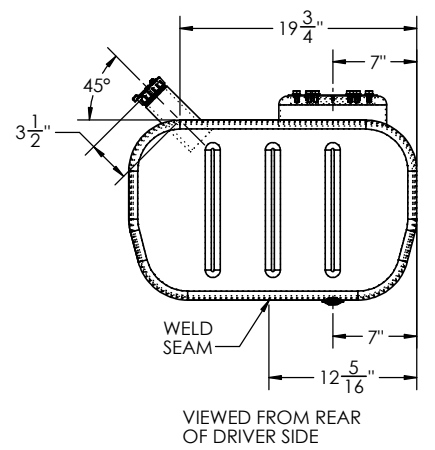
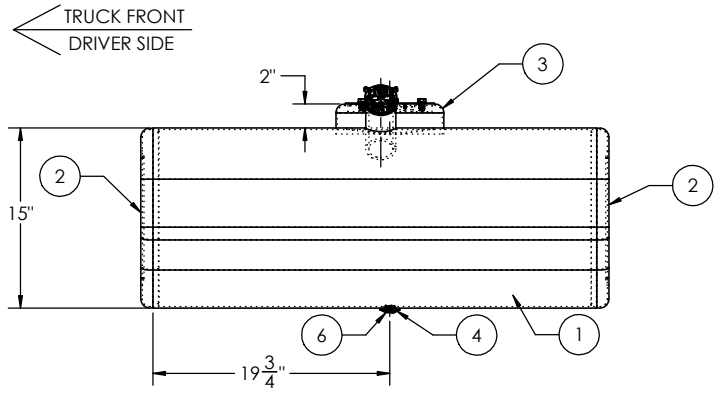
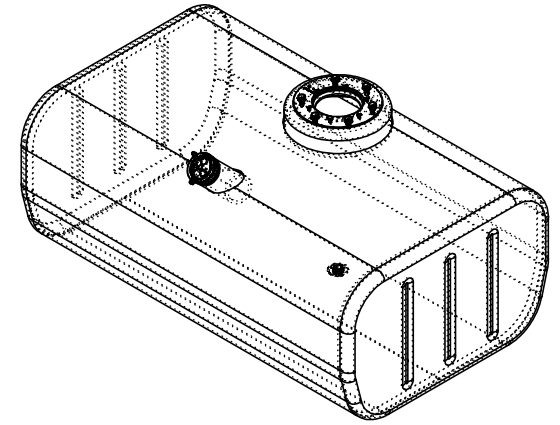
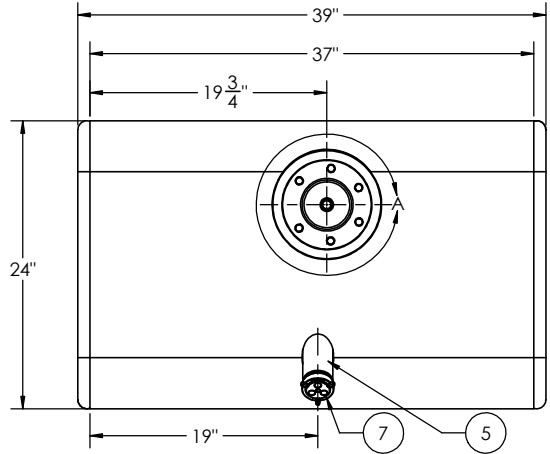
GALLONS	55	52	N/A	N/A
LITERS	209	198	N/A	N/A
	TOTAL CAPACITY	USEABLE CAPACITY	TOTAL CAPACITY	USEABLE CAPACITY
	DIESEL FUEL		BIO-DIESEL/ HYDRAULIC/WATER	

REVISIONS				
ZONE	REV.	DESCRIPTION	DATE	APPROVED
	A	INITIAL RELEASE FROM LEGACY	07/27/2021	NF

**CAUTION:**  
VERIFY RISER PLATE  
HOLE SIZE AND  
HOSE DIRECTION  
RELATIVE TO ARROW



DETAIL A  
SCALE 1 : 3  
GASKET REMOVED  
FOR CLARITY



ITEM NO.	PART NUMBER	DESCRIPTION	QTY.
1	BRL-AT-GM-4002	1/8" TANK BARREL	1
2	ECP-024038412500	15" X 24" MILGRADE ALUMINUM TAPERED BOTTOM END CAP	2
3	ADP-732220	MILGRADE ALUMINUM GMC RISER DOME PLATE (NEW)	1
4	FLG-050220	1/2" NPTF MILGRADE ALUMINUM FLANGE	1
5	FLN-0961012230	6" LONG - 2" NPSM - 11.5 TPI MILGRADE ALUMINUM FILL NECK	1
6	94135	1/2" SOCKET PIPE PLUG 3/4" TAPER NPTF ZINC	1
7	FCP-1330 (600133)	2" NON-VENTED, NON-LOCK CAP	1

TITLE: 15" x 24" x 37" TANK		UNLESS OTHERWISE SPECIFIED: DIMENSIONS ARE IN INCHES TOLERANCES: FRACTIONAL: ± ANGULAR: MACH ± BEND ± TWO PLACE DECIMAL ± THREE PLACE DECIMAL ±		NAME	DATE
SIZE <b>C</b>	REV	QC	INITIALS	DRAWN	
		PSI		CHECKED	
		DIMS		ENG APPR.	
		PARTS		MFG APPR.	
	TAG			G.A.	
	PKG			COMMENTS:	
PROPRIETARY AND CONFIDENTIAL THE INFORMATION CONTAINED IN THIS DRAWING IS THE SOLE PROPERTY OF ALUMITANK. ANY REPRODUCTION IN PART OR AS A WHOLE WITHOUT THE WRITTEN PERMISSION OF ALUMITANK IS PROHIBITED.		MATERIAL: 5052 H32 ALUMINUM FINISH: SEE BOM DO NOT SCALE DRAWING		11317 N. US HWY 14 HARVARD, IL 60033 815-943-6649 800-652-6630 FAX 855-774-6918 WWW.ALUMITANK.COM INFO@ALUMITANK.COM	
				DWG. NO. <b>AT-GM-4002</b> SCALE: 1:8   WEIGHT: 44.68   SHEET 1 OF 1	
				REV. <b>A</b>	