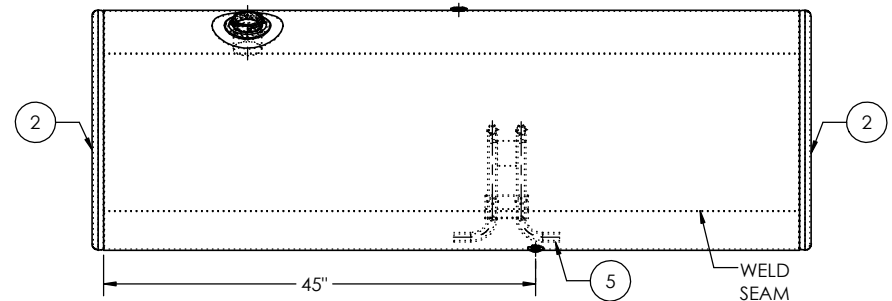
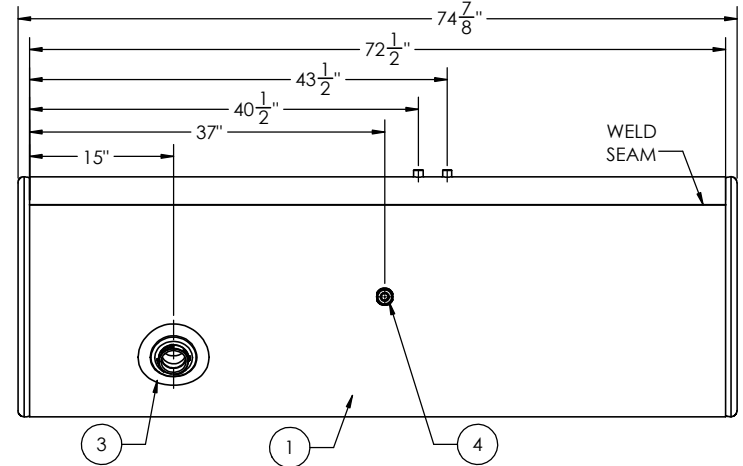
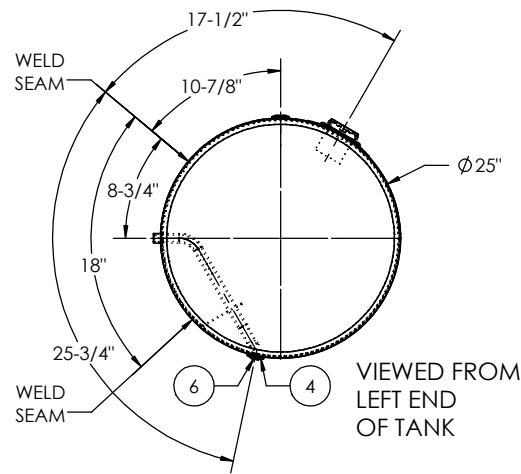
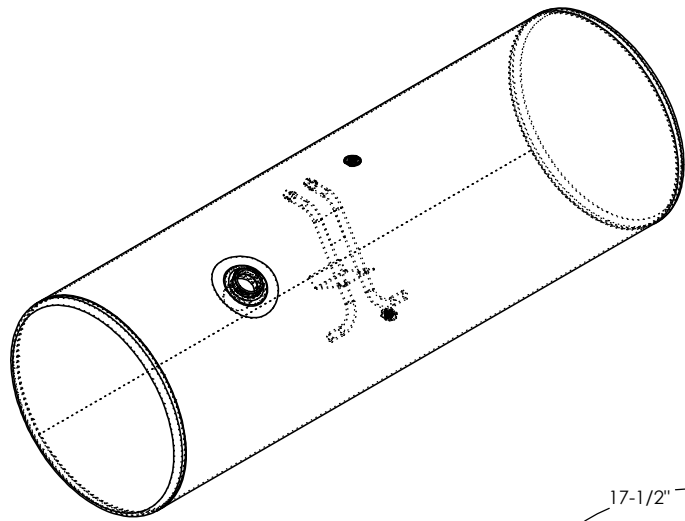


GALLONS	154	146	N/A	N/A
LITERS	583	554	N/A	N/A
	TOTAL CAPACITY	USEABLE CAPACITY	TOTAL CAPACITY	USEABLE CAPACITY
	DIESEL FUEL		BIO-DIESEL/ HYDRAULIC/WATER	

REVISIONS				
ZONE	REV.	DESCRIPTION	DATE	APPROVED
	A	INITIAL RELEASE	06/03/2022	GG
A3	B	B1. ZONE A3: DTA-22240000-P WAS DTA-22240000	08/14/2023	AGG



ITEM NO.	PART NUMBER	DESCRIPTION	QTY.
1	BRL-AT-FL-1193	1/8" TANK BARREL	1
2	ECP-4000013100	25" POLISHED ALUMINUM END CAP	2
3	FLN-20022340	POLISHED ALUMINUM FREIGHTLINER CAM LOCK FILL NECK - ROUND	1
4	FLG-050230	1/2" NPTF POLISHED ALUMINUM FLANGE	2
5	DTA-22240000-P	25" DITCH FREIGHTLINER TUBE ASSEMBLY	1
6	94135	1/2" SOCKET PIPE PLUG 3/4" TAPER NPTF ZINC	1

FREIGHTLINER PART NUMBER: A03-35695-565

TITLE: 25"x72.5" TANK		UNLESS OTHERWISE SPECIFIED:		DRAWN		NAME		DATE	
SIZE <b>C</b>	REV	QC	INITIALS	DIMENSIONS ARE IN INCHES		CHECKED		DATE	
		PSI		FRACTIONAL ±		ENG APPR.			
		DIMS		ANGULAR: MACH ± BEND ±		MFG APPR.			
PARTS		TAG		MATERIAL		G.A.		COMMENTS:	
PKG				5052 H32 ALUMINUM		Q.A.		11317 N. US HWY 14 800-452-6630	
				FINISH SEE BOM		INTERPRET GEOMETRIC TOLERANCING PER:		HARVARD, IL 60033 FAX 855-774-6918	
				DO NOT SCALE DRAWING		WWW.ALUMITANK.COM		815-943-6649 INFO@ALUMITANK.COM	
						SCALE: 1:10   WEIGHT: 85.05   SHEET 1 OF 1			
						DWG. NO. AT-FL-1193-GAL		REV. B	