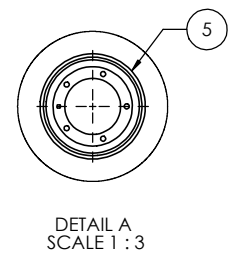
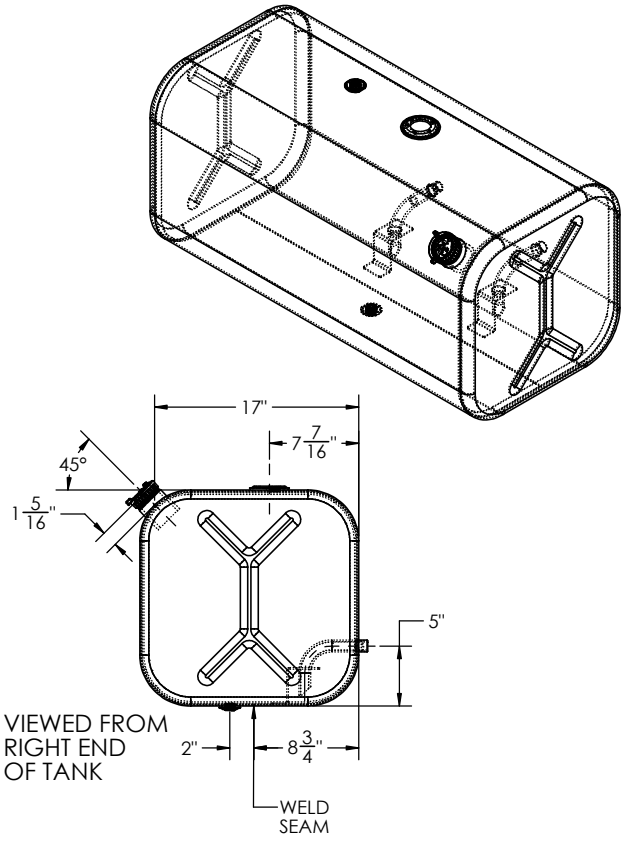
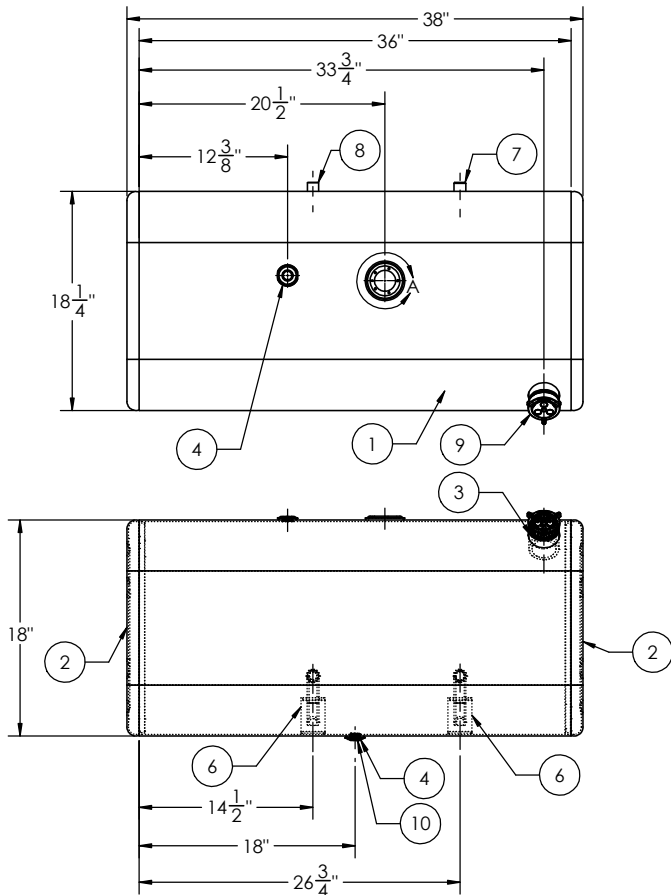


GALLONS	49	47	N/A	N/A
LITERS	186	177	N/A	N/A
	TOTAL CAPACITY	USEABLE CAPACITY	TOTAL CAPACITY	USEABLE CAPACITY
	DIESEL FUEL		BIO-DIESEL/ HYDRAULIC/WATER	



ITEM NO.	PART NUMBER	DESCRIPTION	QTY.
1	BRL-AT-FL-2013	1/8" TANK BARREL	1
2	ECP-028829212600	18" X 18-1/4" MILGRADE ALUMINUM RECTANGULAR END CAP	2
3	FLN-0481012230	3" LONG - 2" NPSM - 11.5 TPI MILGRADE ALUMINUM FILL NECK	1
4	FLG-050220	1/2" NPTF MILGRADE ALUMINUM FLANGE	2
5	BSE-00182230	FLAT MILGRADE ALUMINUM SENDER BASE	1
6	STR-018 (1.125)	SHORT SMALL TUBE STABILIZER (1.125)	2
7	TBS-50120100080	1/2" NPTF BENT ALUMINUM TUBE TYPE 1 FIVE INCHES UP	1
8	TBS-40120100080	3/8" NPTF BENT ALUMINUM TUBE TYPE 1 FIVE INCHES UP	1
9	FCP-1330 (600133)	2" NON-VENTED, NON-LOCK CAP	1
10	94135	1/2" SOCKET PIPE PLUG 3/4" TAPER NPTF ZINC	1

FREIGHTLINER PART NUMBER: A03-23537-005

TITLE: 18" H x 18.5" W x 36" L		UNLESS OTHERWISE SPECIFIED:		NAME	DATE
SIZE <b>C</b>	REV	QC	INITIALS	DRAWN	
		PSI		CHECKED	
		DIMS		ENG APPR.	
		PARTS		MFG APPR.	
TAG		Q.A.		COMMENTS:	
PKG		MATERIAL: 5052 H32 ALUMINUM		11317 N. US HWY 14 800-652-6630	
		FINISH: SEE BOM		HARVARD, IL 60033 FAX 855-774-6918	
		DO NOT SCALE DRAWING		815-943-6649 WWW.ALUMITANK.COM INFO@ALUMITANK.COM	
				DWG. NO. AT-FL-2013	
				REV. A	
				SCALE: 1:8 WEIGHT: 39.62 SHEET 2 OF 2	

