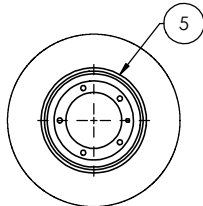
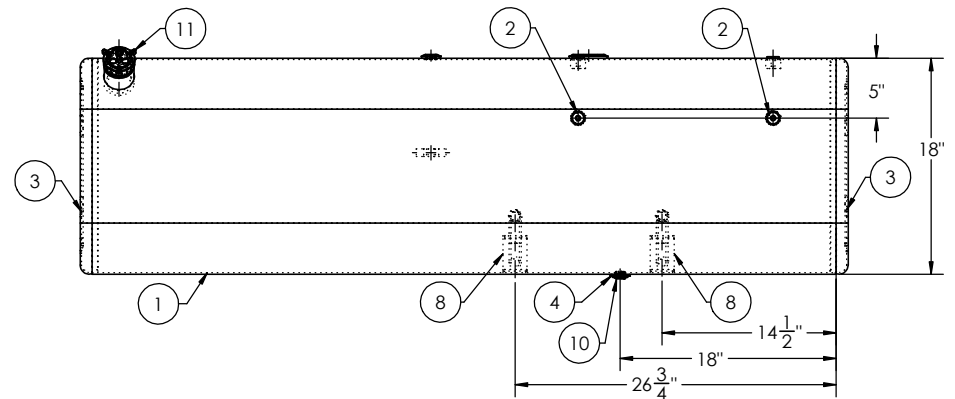
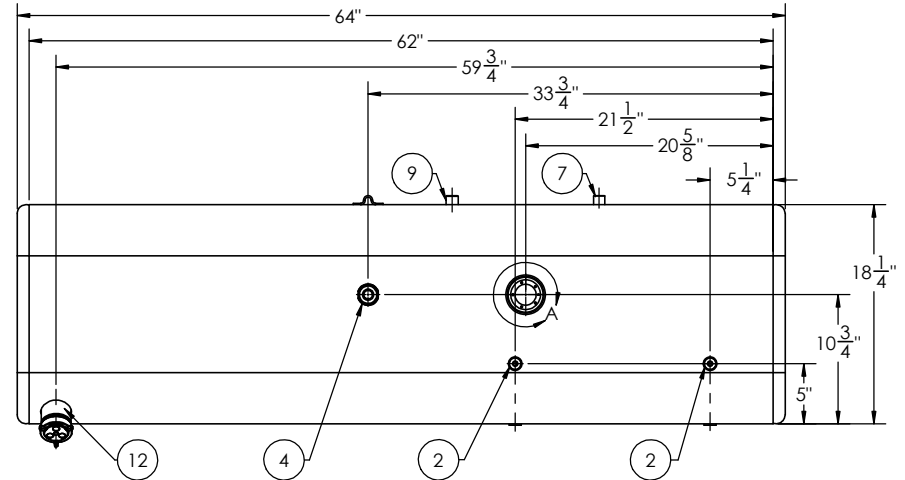
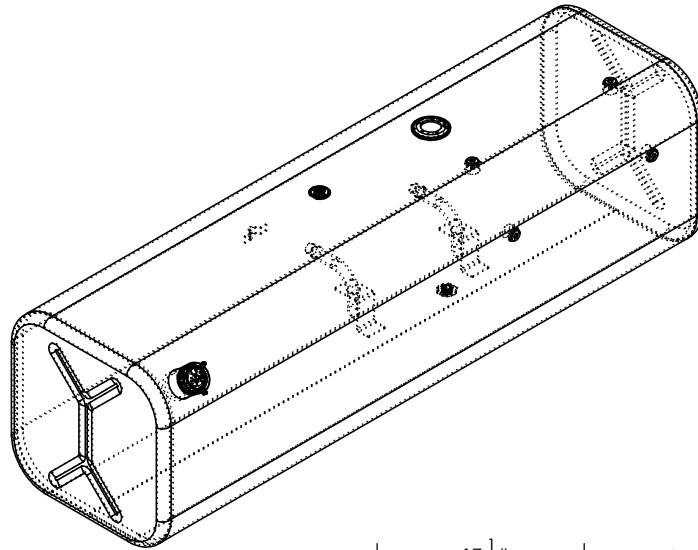
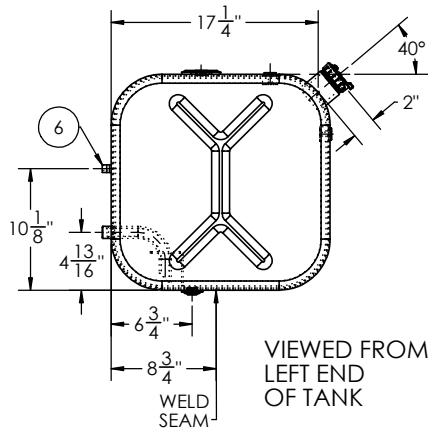


GALLONS	83	79	N/A	N/A
LITERS	314	298	N/A	N/A
	TOTAL CAPACITY	USEABLE CAPACITY	TOTAL CAPACITY	USEABLE CAPACITY
	DIESEL FUEL		BIO-DIESEL/ HYDRAULIC/WATER	

REVISIONS				
ZONE	REV.	DESCRIPTION	DATE	APPROVED
	A	INITIAL RELEASE	06/22/2022	GG



DETAIL A
SCALE 1 : 3



VIEWED FROM
LEFT END
OF TANK

ITEM NO.	PART NUMBER	DESCRIPTION	QTY.
1	BRL-AT-FL-2008	1/8" TANK BARREL	1
2	STB-482250	3/8-16 MILGRADE ALUMINUM FLAT STEP BUSHING	4
3	ECP-028829212600	18" X 18-1/4" MILGRADE ALUMINUM RECTANGULAR END CAP	2
4	FLG-050220	1/2" NPTF MILGRADE ALUMINUM FLANGE	2
5	BSE-00182230	FLAT MILGRADE ALUMINUM SENDER BASE	1
6	MSC-001	MILGRADE ALUMINUM HOSE CLIP	1
7	TBS-40120100080	3/8" NPTF BENT ALUMINUM TUBE TYPE 1 FIVE INCHES UP	1
8	STR-018 (1.125)	SHORT SMALL TUBE STABILIZER (1.125)	2
9	TBS-50120100080	1/2" NPTF BENT ALUMINUM TUBE TYPE 1 FIVE INCHES UP	1
10	94135	1/2" SOCKET PIPE PLUG 3/4" TAPER NPTF ZINC	1
11	FCP-1330 (600133)	2" NON-VENTED, NON-LOCK CAP	1
12	FLN-0481012230	3" LONG - 2" NPSM - 11.5 TPI MILGRADE ALUMINUM FILL NECK	1

FREIGHTLINER PART NUMBER: A03-24277-002

TITLE:		UNLESS OTHERWISE SPECIFIED:		NAME		DATE	
SIZE C	REV	QC	INITIALS	DRAWN			
		PSI		CHECKED			
		DIMS		ENG APPR.			
		PARTS		MFG APPR.			
TAG		MATERIAL		COMMENTS:			
PKG		5052 H32 ALUMINUM					
		FINISH		G.A.			
		SEE BOM		DO NOT SCALE DRAWING			

AlumiTank
THE FUEL TANK SPECIALIST

11317 N. US HWY 14 HARVARD, IL 60033 815-943-6649

800-652-6630 FAX 855-774-6918 WWW.ALUMITANK.COM INFO@ALUMITANK.COM

DWG. NO. **AT-FL-2008-GAL** REV. **A**

SCALE: 1:8 WEIGHT: 60.39 SHEET 1 OF 1