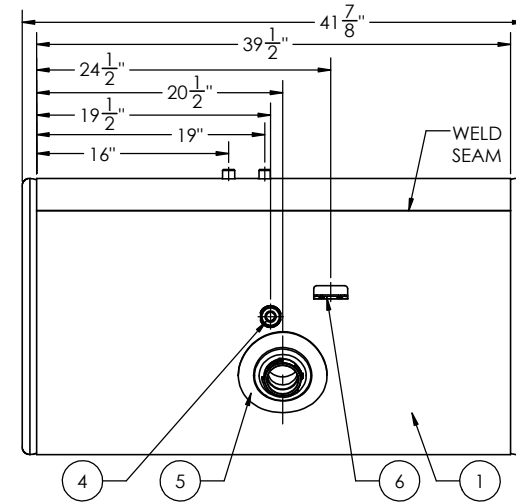
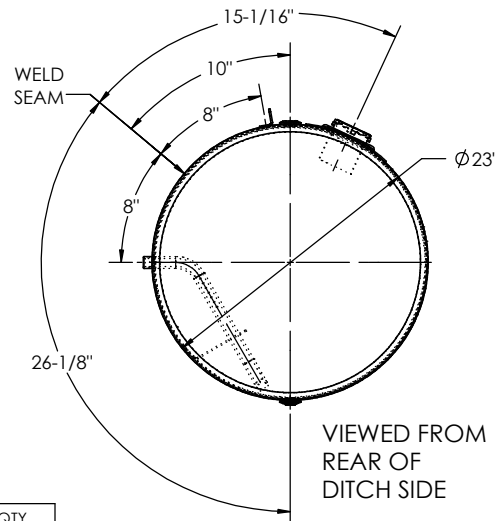
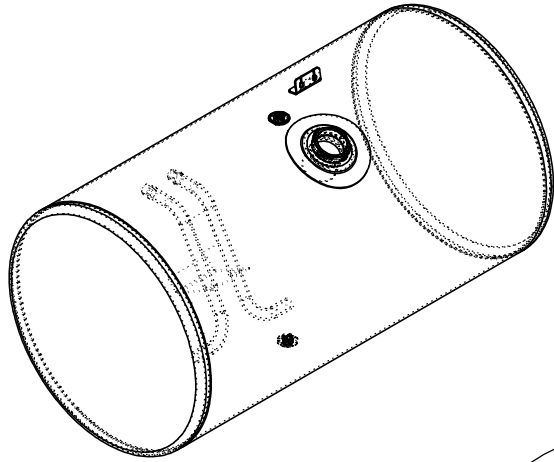
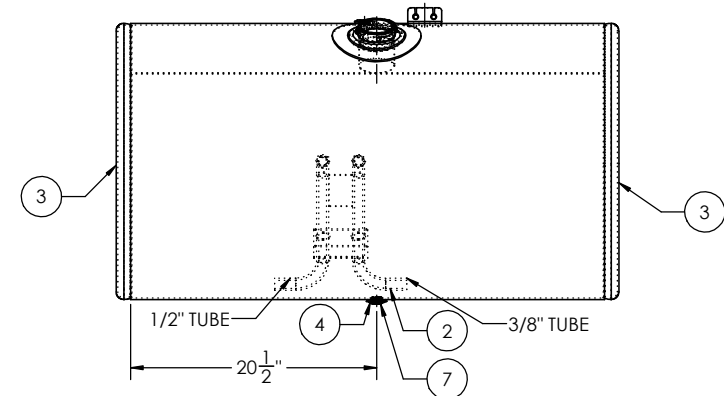


GALLONS	72	69	N/A	N/A
LITERS	273	259	N/A	N/A
	TOTAL CAPACITY	USEABLE CAPACITY	TOTAL CAPACITY	USEABLE CAPACITY
	DIESEL FUEL		BIO-DIESEL/ HYDRAULIC/WATER	

REVISIONS				
ZONE	REV.	REVISION DESCRIPTION	DATE	APPROVED
	A	INITIAL RELEASE	03/29/2022	GG



TRUCK FRONT
DRIVER SIDE →



ITEM NO.	PART NUMBER	DESCRIPTION	QTY.
1	BRL-AT-FL-1010	1/8" TANK BARREL	1
2	DTA-22236800	23" DITCH FREIGHTLINER TUBE ASSEMBLY	1
3	ECP-3680012100	23" MILGRADE ALUMINUM END CAP	2
4	FLG-050220	1/2" NPTF MILGRADE ALUMINUM FLANGE	2
5	FLN-20022240	MILGRADE ALUMINUM FREIGHTLINER CAM LOCK FILL NECK - ROUND	1
6	MSC-005	MILGRADE ALUMINUM WIRE CLIP	1
7	94135	1/2" SOCKET PIPE PLUG 3/4" TAPER NPTF ZINC	1

FREIGHTLINER PART NUMBER: A03-26335-181

TITLE: 23" X 39-1/2" TANK				UNLESS OTHERWISE SPECIFIED:		NAME	DATE
SIZE C	REV	QC	INITIALS	DIMENSIONS ARE IN INCHES	DRAWN		
		PSI		TOLERANCES:	CHECKED		
		DIMS		FRACTIONAL: ±	ENG APPR.		
		PARTS		ANGULAR: MATCH ± BEND ±	MFG APPR.		
TAG				TWO PLACE DECIMAL ±			
PKG				THREE PLACE DECIMAL ±			
PROPRIETARY AND CONFIDENTIAL THE INFORMATION CONTAINED IN THIS DRAWING IS THE SOLE PROPERTY OF ALUMITANK. ANY REPRODUCTION IN PART OR AS A WHOLE WITHOUT THE WRITTEN PERMISSION OF ALUMITANK IS PROHIBITED.				MATERIAL: 5052 H32 ALUMINUM		COMMENTS:	
				FINISH: SEE BOM		G.A.:	
				DO NOT SCALE DRAWING		11317 N. US HWY 14 HARVARD, IL 60033 815-943-6649	
						800-652-6630 FAX 855-774-6918 WWW.ALUMITANK.COM INFO@ALUMITANK.COM	
						DWG. NO. AT-FL-1010-GAL REV. A	
						SCALE: 1:8 WEIGHT: 48.84 SHEET 1 OF 1	

