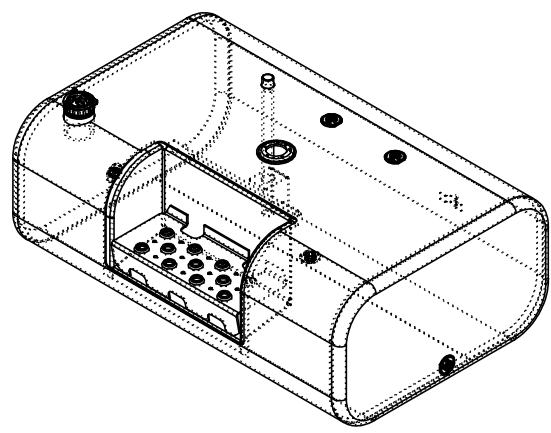
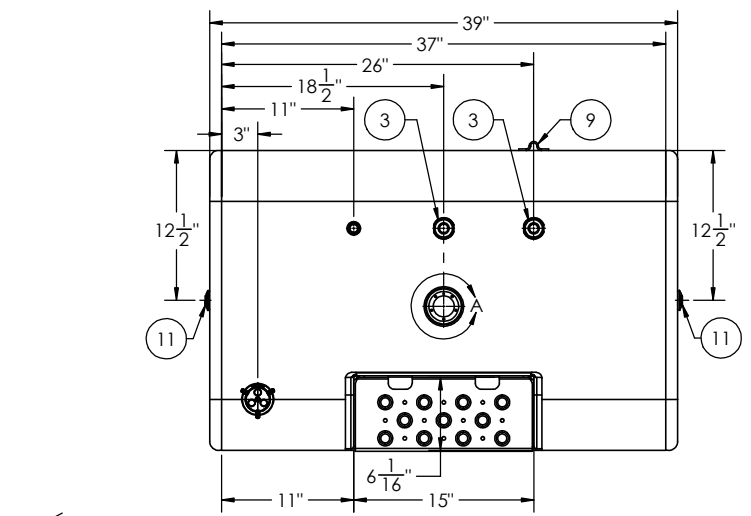
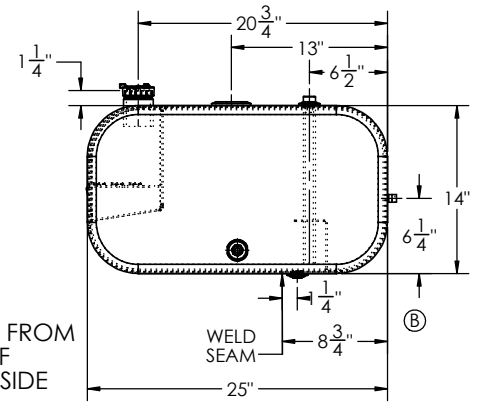
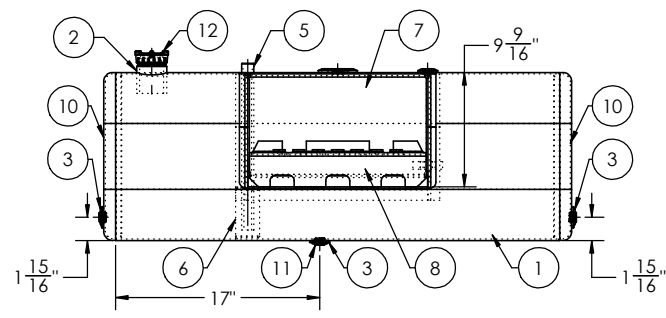


GALLONS	50	48		
LITERS	190	180		
	TOTAL CAPACITY	USEABLE CAPACITY	TOTAL CAPACITY	USEABLE CAPACITY
	DIESEL FUEL		BIO-DIESEL/ HYDRAULIC/WATER	

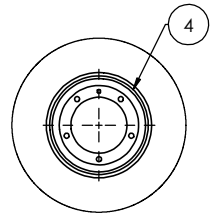
REVISIONS				
ZONE	REV.	DESCRIPTION	DATE	APPROVED
	A	INITIAL RELEASE FROM LEGACY	07/23/2021	NF
B1, D4	B	UPDATED DRAIN LOCATION FROM WELD SEAM, UPDATED GALLONAGE INFO	10/12/2021	GG



← TRUCK FRONT DRIVER SIDE



VIEWED FROM REAR OF DRIVER SIDE



DETAIL A
SCALE 1 : 3

ITEM NO.	PART NUMBER	DESCRIPTION	QTY.
1	BRL-AT-FD-2003	1/8" TANK BARREL	1
2	FLN-0481012230	3" LONG - 2" NPSM - 11.5 TPI MILGRADE ALUMINUM FILL NECK	1
3	FLG-050220	1/2" NPTF MILGRADE ALUMINUM FLANGE	5
4	BSE-00182230	FLAT MILGRADE ALUMINUM SENDER BASE	1
5	TBS-503200	1/2" NPTF STRAIGHT ALUMINUM TUBE	1
6	STR-001 (FLAT 1.125)	SMALL TUBE STABILIZER (1.125)	1
7	PKT-3	15" WIDE X 9-5/8" TALL MILGRADE ALUMINUM POCKET	1
8	SEP-1	14-3/4" WIDE X TALL MILGRADE ALUMINUM INSERT STEP	1
9	MSC-001	MILGRADE ALUMINUM HOSE CLIP	1
10	ECP-1425-CENTER	14" X 25" END CAP	2
11	94135	1/2" SOCKET PIPE PLUG 3/4" TAPER NPTF ZINC	3
12	FCP-1330 (600133)	2" NON-VENTED, NON-LOCK CAP	1

TITLE: 14x25x37		UNLESS OTHERWISE SPECIFIED: DIMENSIONS ARE IN INCHES TOLERANCES: FRACTIONS: ± ANGULAR: MACH ± BEND ± TWO PLACE DECIMAL THREE PLACE DECIMAL ±		NAME	DATE
SIZE C	REV	QC	INITIALS	DRAWN	
		PSI		CHECKED	
		DIMS		ENG APPR.	
		PARTS		MFG APPR.	
	TAG			G.A.	
	PKG			COMMENTS:	
<small>PROPRIETARY AND CONFIDENTIAL</small> THE INFORMATION CONTAINED IN THIS DRAWING IS THE SOLE PROPERTY OF ALUMITANK. ANY REPRODUCTION IN PART OR AS A WHOLE WITHOUT THE WRITTEN PERMISSION OF ALUMITANK IS PROHIBITED.		MATERIAL: 5052 H32 ALUMINUM	FRESH	SEE BOM	DO NOT SCALE DRAWING
<small>ALUMITANK</small> THE FUEL TANK SPECIALISTS 11317 N. US HWY 14 HARVARD, IL 60033 815-943-6649 800-652-6630 FAX 855-774-6918 WWW.ALUMITANK.COM INFO@ALUMITANK.COM				DWG. NO. AT-FD-2003 REV. B SCALE: 1:8 WEIGHT: 46.90 SHEET 1 OF 1	