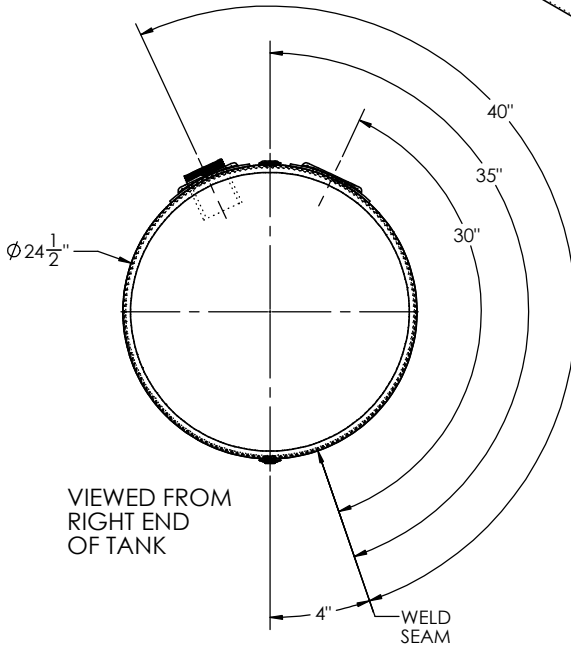
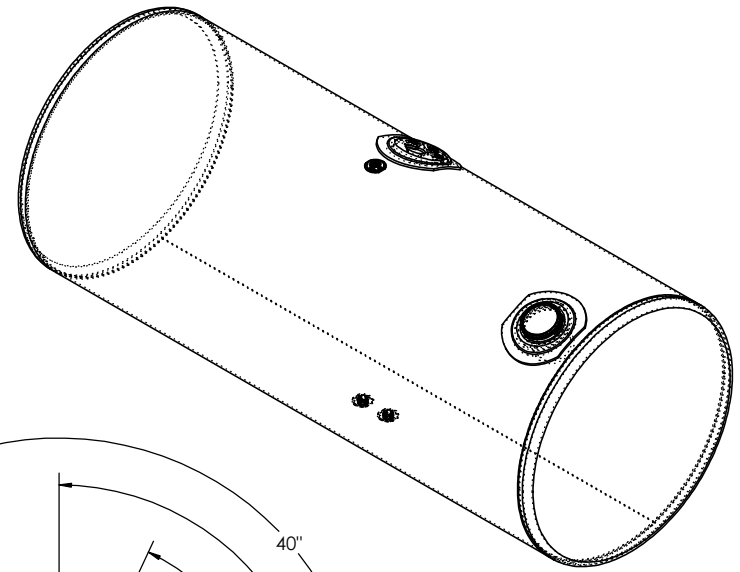
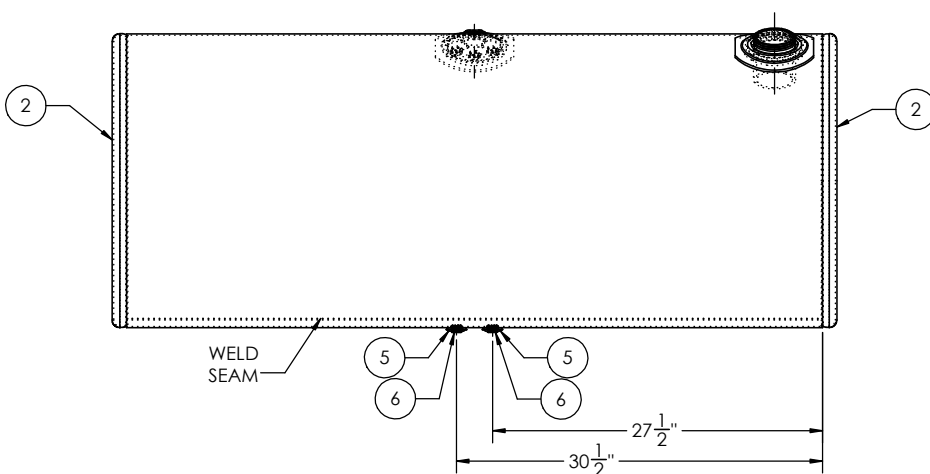
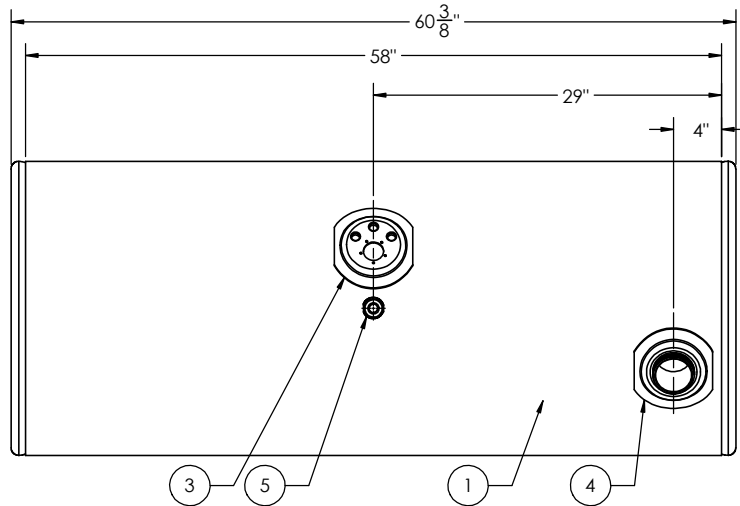


GALLONS	119	113	N/A	N/A
LITERS	450	428	N/A	N/A
	TOTAL CAPACITY	USEABLE CAPACITY	TOTAL CAPACITY	USEABLE CAPACITY
	DIESEL FUEL		BIO-DIESEL/ HYDRAULIC/WATER	

REVISIONS				
ZONE	REV.	DESCRIPTION	DATE	APPROVED
	A	INITIAL RELEASE	10/12/2021	GG



ITEM NO.	PART NUMBER	DESCRIPTION	QTY.
1	BRL-AT-KW-1001	1/8" TANK BARREL	1
2	ECP-3920012100	24 1/2 MILGRADE ALUMINUM END CAP	2
3	ADP-832210	MILGRADE ALUMINUM KENWORTH ADAPTER PLATE	1
4	FLN-801212200	MILGRADE ALUMINUM KENWORTH FILL NECK	1
5	FLG-050220	1/2" NPTF MILGRADE ALUMINUM FLANGE	3
6	94135	1/2" SOCKET PIPE PLUG 3/4" TAPER NPTF ZINC	2

TITLE: 24.5" x 58" TANK		UNLESS OTHERWISE SPECIFIED:		NAME		DATE	
SIZE <b>C</b>	REV	QC	INITIALS	DIMENSIONS ARE IN INCHES			
		PSI		TOLERANCES:			
		DIMS		FRACTIONAL: ±			
		PARTS		ANGULAR: MATCH BEND ±			
TAG		TWO PLACE DECIMAL ±					
PKG		THREE PLACE DECIMAL ±					
MATERIAL: 5052 H32 ALUMINUM		INTERPRET GEOMETRIC TOLERANCING PER:		DQA:		COMMENTS:	
FINISH: SEE BOM		DO NOT SCALE DRAWING		DRAWN		CHECKED	
				ENG APPR.		MFG APPR.	

**AlumiTank**<sup>®</sup>  
THE FUEL TANK SPECIALIST

11317 N. US HWY 14 HARVARD, IL 60033 815-943-6649

800-652-6630 FAX 855-774-6918 WWW.ALUMITANK.COM INFO@ALUMITANK.COM

DWG. NO. **AT-KW-1001-GAL** REV. **A**

SCALE: 1:8 WEIGHT: 69.01 SHEET 1 OF 1