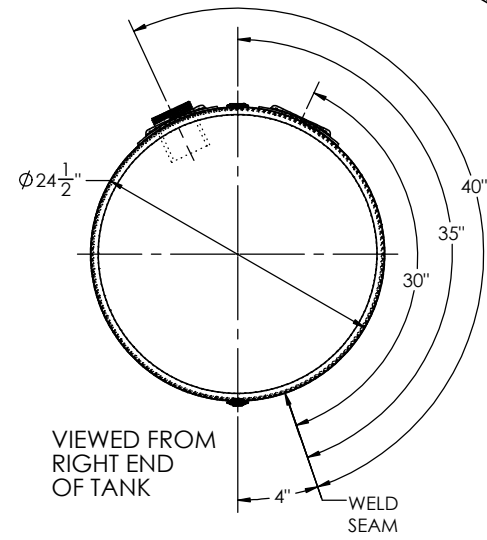
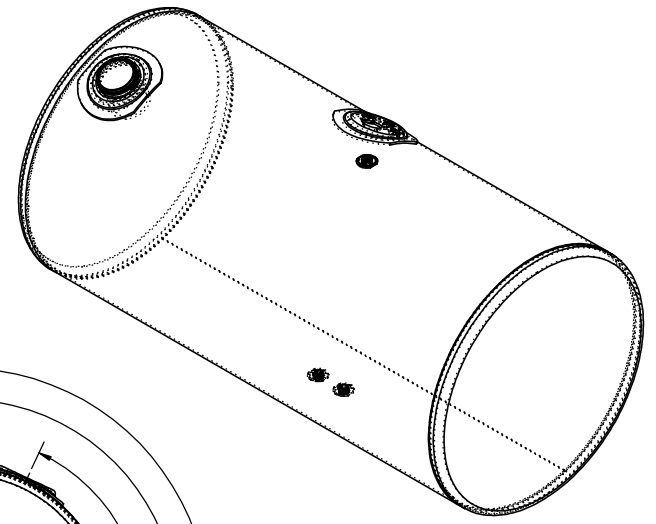
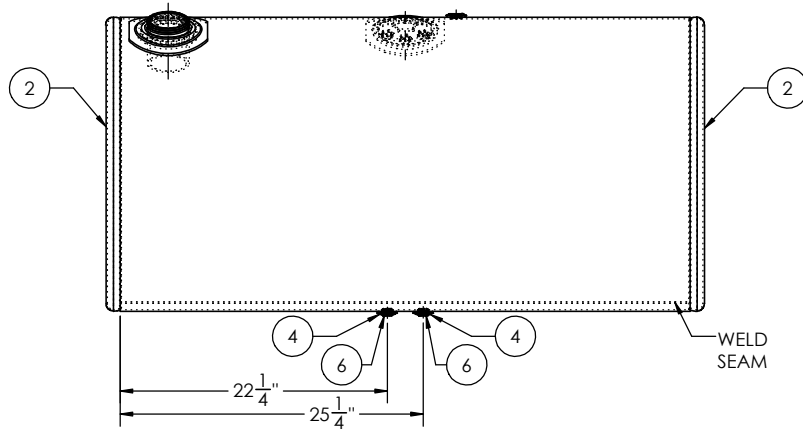
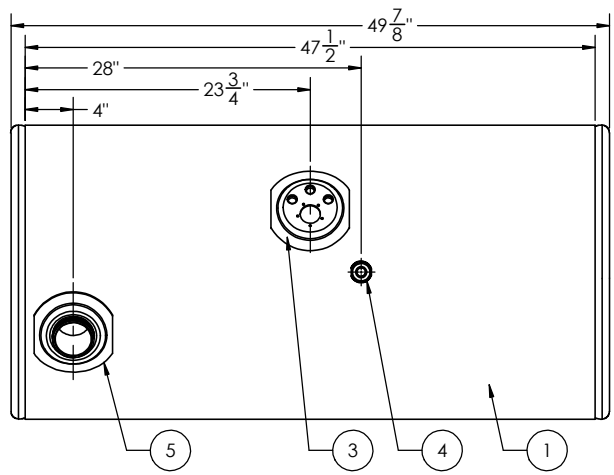



GALLONS	98	93	N/A	N/A
LITERS	371	352	N/A	N/A
	TOTAL CAPACITY	USEABLE CAPACITY	TOTAL CAPACITY	USEABLE CAPACITY
	DIESEL FUEL		BIO-DIESEL/ HYDRAULIC/WATER	

REVISIONS				
ZONE	REV.	DESCRIPTION	DATE	APPROVED
	A	INITIAL RELEASE	03/15/2022	ACH



ITEM NO.	PART NUMBER	DESCRIPTION	QTY.
1	BRL-AT-KW-1135	1/8" TANK BARREL	1
2	ECP-3920013100	24 1/2" POLISHED ALUMINUM END CAP	2
3	ADP-832310	POLISHED ALUMINUM KENWORTH ADAPTER PLATE	1
4	FLG-050230	1/2" NPTF POLISHED ALUMINUM FLANGE	3
5	FLN-801212300	POLISHED ALUMINUM KENWORTH FILL NECK	1
6	94135	1/2" SOCKET PIPE PLUG 3/4" TAPER NPTF ZINC	2

TITLE: 24-1/2" X 47-1/2" TANK		UNLESS OTHERWISE SPECIFIED:		DRAWN		NAME		DATE	
DIMENSIONS ARE IN INCHES		TOLERANCES:		CHECKED					
FRACTIONS: ±		ANGULAR: MACH ±		ENG APPR.					
TWO PLACE DECIMAL ±		BEND ±		MFG APPR.					
THREE PLACE DECIMAL ±		INTERPRET GEOMETRIC TOLERANCING PER:		Q.A.					
MATERIAL:		5052 H32 ALUMINUM		COMMENTS:					
FINISH:		SEE BOM							
DO NOT SCALE DRAWING									



11317 N. US HWY 14 HARVARD, IL 60033 815-943-6649

800-652-6630 FAX 855-774-6918 WWW.ALUMITANK.COM INFO@ALUMITANK.COM

DWG. NO. AT-KW-1135-GAL REV. A

SCALE: 1:8 WEIGHT: 59.29 SHEET 1 OF 1