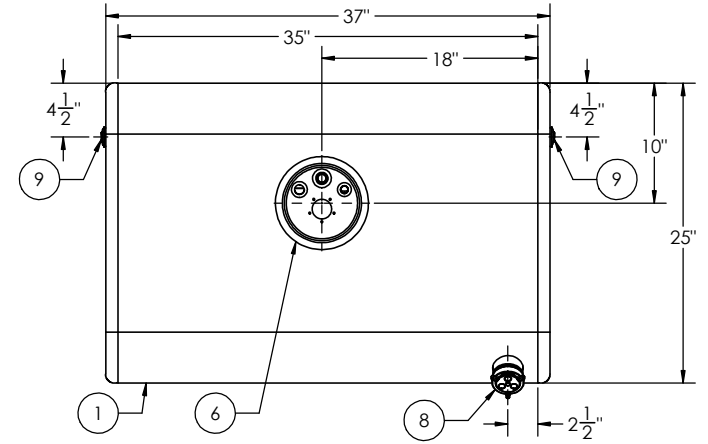
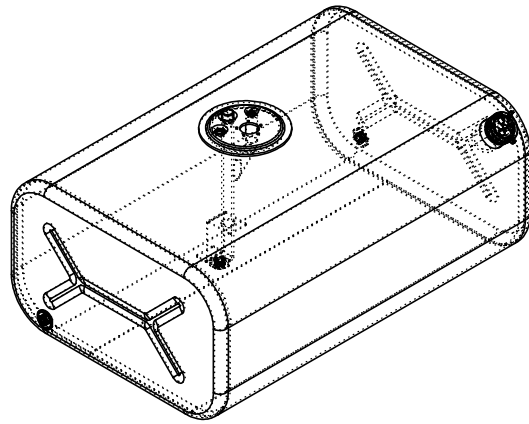
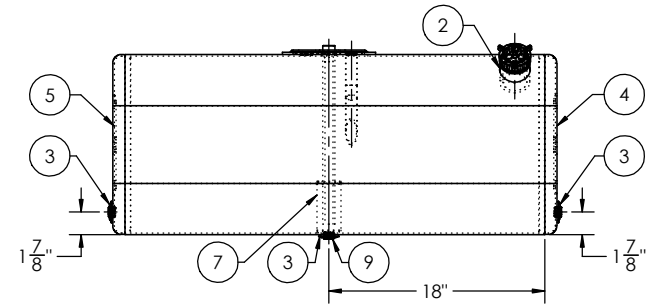
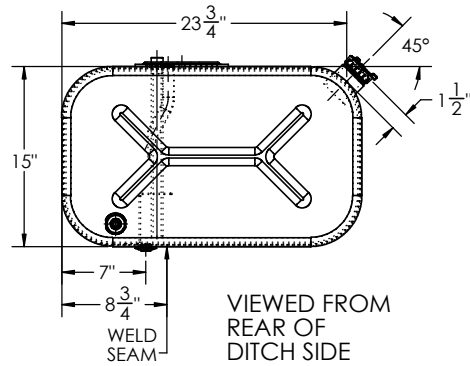


| | | | | |
|---------|----------------|------------------|--------------------------------|------------------|
| GALLONS | 55 | 52 | N/A | N/A |
| LITERS | 553 | 526 | N/A | N/A |
| | TOTAL CAPACITY | USEABLE CAPACITY | TOTAL CAPACITY | USEABLE CAPACITY |
| | DIESEL FUEL | | BIO-DIESEL/ HYDRAULIC/WATER | |

| REVISIONS | | | | |
|-----------|------|-----------------|------------|----------|
| ZONE | REV. | DESCRIPTION | DATE | APPROVED |
| | A | INITIAL RELEASE | 09/19/2023 | ACH |



TRUCK FRONT
DITCH SIDE



| ITEM NO. | PART NUMBER | DESCRIPTION | QTY. |
|----------|----------------------|--|------|
| 1 | BRL-AT-IN-2010 | 1/8" TANK BARREL | 1 |
| 2 | FLN-0481012230 | 3" LONG - 2" NPSM - 11.5 TPI MILGRADE ALUMINUM FILL NECK | 1 |
| 3 | FLG-050220 | 1/2" NPTF MILGRADE ALUMINUM FLANGE | 3 |
| 4 | ECP-1525-RIGHT 4.5 | 15" X 25" MILGRADE ALUMINUM RECTANGULAR END CAP WITH 1/2" FLANGE 4-1/2" FROM RIGHT | 1 |
| 5 | ECP-1525-LEFT 4.5 | 15" X 25" MILGRADE ALUMINUM RECTANGULAR END CAP WITH 1/2" FLANGE 4-1/2" FROM LEFT | 1 |
| 6 | ADP-5222240 | 15" MILGRADE ALUMINUM DITCH SIDE INTERNATIONAL ADAPTER PLATE | 1 |
| 7 | STR-001 (FLAT 1.125) | SMALL TUBE STABILIZER (1.125) | 1 |
| 8 | FCP-1330 (600133) | 2" NON-VENTED, NON-LOCK CAP | 1 |
| 9 | 94135 | 1/2" SOCKET PIPE PLUG 3/4" TAPER NPTF ZINC | 3 |

| | | | | | |
|--|-----|---|----------|---|------|
| TITLE: 15"x25"x35" TANK | | UNLESS OTHERWISE SPECIFIED: | | NAME | DATE |
| SIZE C | REV | QC | INITIALS | DRAWN | |
| | | PSI | | CHECKED | |
| | | DIMS | | ENG APPR. | |
| | | PARTS | | MFG APPR. | |
| PROPRIETARY AND CONFIDENTIAL THE INFORMATION CONTAINED IN THIS DRAWING IS THE SOLE PROPERTY OF ALUMITANK. ANY REPRODUCTION IN PART OR AS A WHOLE WITHOUT THE WRITTEN PERMISSION OF ALUMITANK IS PROHIBITED. | | DIMENSIONS ARE IN INCHES TOLERANCES: FRACTIONS: ± ANGULAR: MACH ± BEND ± TWO PLACE DECIMAL ± THREE PLACE DECIMAL ± INTERPRET GEOMETRIC TOLERANCING PER: | | COMMENTS: D.A. | |
| | | MATERIAL: 5052 H32 ALUMINUM | | 11317 N. US HWY 14 800-652-6630 HARVARD, IL 60033 FAX 855-774-6918 815-943-6649 WWW.ALUMITANK.COM INFO@ALUMITANK.COM | |
| | | FINISH: SEE BOM | | DWG. NO. AT-IN-2010-GAL | |
| | | DO NOT SCALE DRAWING | | REV. A SCALE: 1:8 WEIGHT: 43.96 SHEET 1 OF 1 | |