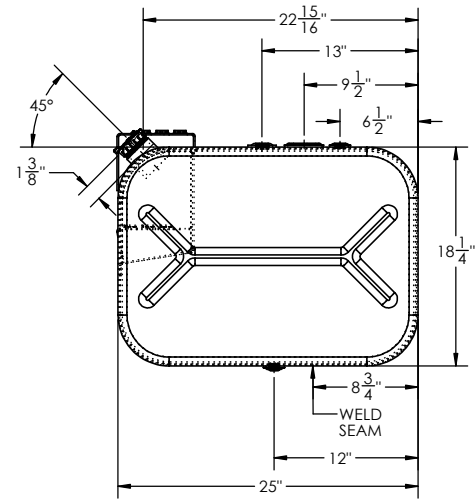
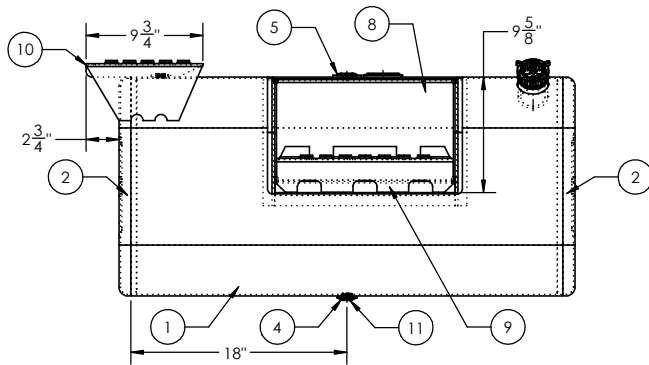
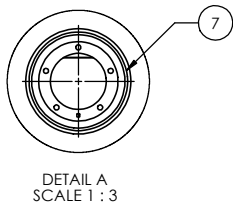
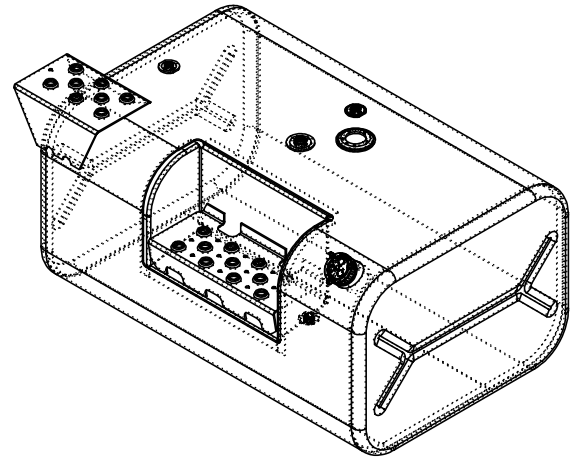
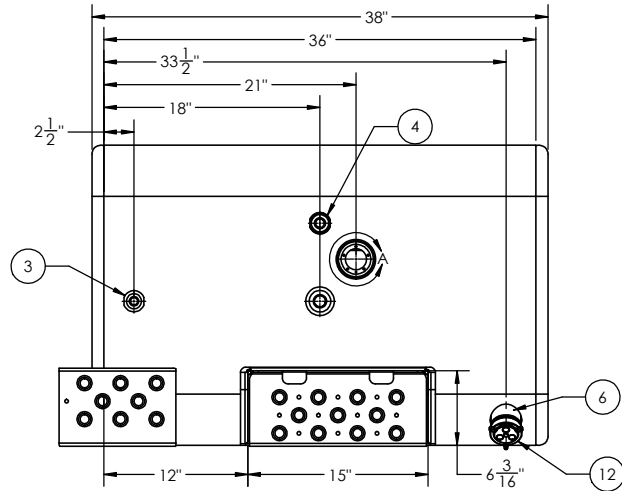


GALLONS	66	63	N/A	N/A
LITERS	249	237	N/A	N/A
	TOTAL CAPACITY	USEABLE CAPACITY	TOTAL CAPACITY	USEABLE CAPACITY
	DIESEL FUEL		BIO-DIESEL/ HYDRAULIC/WATER	

REVISIONS				
ZONE	REV.	DESCRIPTION	DATE	APPROVED
	A	INITIAL RELEASE	09/14/2023	ACH



ITEM NO.	PART NUMBER	DESCRIPTION	QTY.
1	BRL-AT-IN-2007	1/8" TANK BARREL	1
2	ECP-029240012600	18-1/4" X 25" MILGRADE ALUMINUM RECTANGULAR END CAP	2
3	FLG-040220	3/8" NPTF MILGRADE ALUMINUM FLANGE	1
4	FLG-050220	1/2" NPTF MILGRADE ALUMINUM FLANGE	2
5	FLG-060220	3/4" NPTF MILGRADE ALUMINUM FLANGE	1
6	FLN-0481012230	3" LONG - 2" NPSM - 11.5 TPI MILGRADE ALUMINUM FILL NECK	1
7	BSE-00182230	FLAT MILGRADE ALUMINUM SENDER BASE	1
8	PKT-3	15" WIDE X 9-5/8" TALL MILGRADE ALUMINUM POCKET	1
9	SEP-1	14-3/4" WIDE X TALL MILGRADE ALUMINUM INSERT STEP	1
10	SEP-12	9-3/4" WIDE MILGRADE ALUMINUM LEFT SIDE IN TOP STEP	1
11	94135	1/2" SOCKET PIPE PLUG 3/4" TAPER NPTF ZINC	1
12	FCP-1330 (600133)	2" NON-VENTED, NON-LOCK CAP	1

TITLE: 18-1/4" X 25" X 36" TANK		UNLESS OTHERWISE SPECIFIED:		NAME	DATE
SIZE C	REV	QC	INITIALS	DRAWN	
		PSI		CHECKED	
		DIMS		ENG APPR.	
		PARTS		MFG APPR.	
		TAG		G.A.	
	PKG			COMMENTS:	

DIMENSIONS ARE IN INCHES	
TOLERANCES:	
FRACTIONAL: ±	
ANGULAR: MACH ± BEND ±	
TWO PLACE DECIMAL ±	
THREE PLACE DECIMAL ±	
INTERPRET GEOMETRIC TOLERANCING PER:	
MATERIAL:	5052 H32 ALUMINUM
FINISH:	SEE BOM
DO NOT SCALE DRAWING	

AlumiTank
THE FUEL TANK SPECIALIST

11317 N. US HWY 14 HARVARD, IL 60033 815-943-6649

800-652-6630 FAX 855-774-6918 WWW.ALUMITANK.COM INFO@ALUMITANK.COM

DWG. NO. **AT-IN-2007-GAL** REV. **A**

SCALE: 1:8 WEIGHT: 52.88 SHEET 1 OF 1